

CATALOGUE



The definitive product guide for CHNOS analysis



Ordering Information

We are happy to accept orders by any of the following methods:

Phone: +44 (0)1837 54446

Fax: +44 (0)1837 54544

E-mail: info@microanalysis.co.uk

Mail: Elemental Microanalysis Ltd
1 Hameldown Road
Okehampton Business Park
Okehampton
Devon EX20 1UB
United Kingdom

We can invoice you in Sterling, Euro or US Dollar and accept Visa, Mastercard and American Express, account facilities are readily available for regular customers, please enquire.

Shipping worldwide

We regularly ship directly to customers in all parts of the world. Local dealers are available in many countries: contact us for details.



www.microanalysis.co.uk

Available locally from:

Other literature available from Elemental Microanalysis

In addition to this catalogue a range of other catalogues and product sheets are available:

Catalogues

We publish catalogues covering the following areas of elemental analysis:

- Nitrogen/Protein
- Carbon/Sulphur
- Inorganic
- Organic Elemental (CHN/O/S)



Product sheets

Product sheets are available for every instrument we support, and cover all the common day-to-day items required to run your instrument. These sheets are printed on special durable paper to help them survive in the lab environment.



Contract analysis service

We also offer a contract analysis service for a variety of (mainly) organic compounds. Full details are in this brochure.



All literature is available using the 'faxback' form on the rear cover of this catalogue or can be downloaded from our website.

| | |
|---|--|
| <p>2 Introduction</p> <hr/> <p>5 Pressed Capsules for solid samples</p> <p>7 Ultra-Clean Pressed Capsules for solid samples</p> <p>8 Pressed Weighing Pans for solid samples</p> <p>10 Aluminium Pans for moisture determination Nickel Boat Liners Tin Foil Evaporating Cups</p> <p>11 Foil Discs and Squares for sample encapsulation</p> <p>13 Smooth Wall Tin Capsules</p> <p>15 Weighing Boats for liquid and solid samples</p> <hr/> <p>16 Standards</p> <hr/> <p>REAGENTS</p> <p>18 Combustion Catalysts and Reagents</p> <p>19 Platinum/Nickel Catalysts</p> <p>20 Copper Reduction Reagents Reagents for Isotope Analysis</p> <p>21 Interference Removal Reagents Pyrolysis Catalysts and Reagents</p> <p>22 Miscellaneous Materials, Combustion Aids Gas Doping Reagents</p> <p>23 Column Packings, Absorbent Materials Scrubbing and Purification Reagents</p> <hr/> <p>GLASSWARE</p> <p>24 Carlo Erba/ThermoFinnigan 1108/1110/1500(2)/2500</p> <p>25 Carlo Erba/ThermoFinnigan Flash EA™ 1112</p> <p>26 Carlo Erba/ThermoFinnigan 1500 Series 1</p> <p>27 Carlo Erba/ThermoFinnigan 1106 Costech</p> <p>28 Elementar Vario EL Elementar CHN Rapid</p> <p>29 Perkin Elmer 2400 Leco® 900/932</p> <p>30 Europa Eurovector</p> <p>31 Exeter</p> <hr/> <p>O-RINGS</p> <p>32 Carlo Erba/ThermoFinnigan</p> <p>33 Eurovector Perkin Elmer</p> <p>34 Leco® Elementar</p> <p>36 Costech Europa Exeter</p> <hr/> <p>37 Separation Columns</p> <hr/> | <p>MISCELLANEOUS SUPPLIES</p> <p>38 Oxygen Flask Combustion Equipment</p> <p>39 Microanalytical Tools and Sundries</p> <hr/> <p>41 CONFIGURATION GUIDE</p> <p>42 Europa</p> <p>44 Costech</p> <p>46 ThermoFinnigan/CE/Fisons/Carlo Erba 1108</p> <p>47 ThermoFinnigan/CE/Fisons/Carlo Erba 1110</p> <p>48 ThermoFinnigan/CE/Fisons/Carlo Erba 1500 mk II</p> <p>49 ThermoFinnigan/CE/Fisons/Carlo Erba 1500 mk I</p> <p>50 ThermoFinnigan/CE/Fisons/Carlo Erba NA2500</p> <p>51 ThermoFinnigan/CE/Fisons/Carlo Erba 1106</p> <p>52 ThermoFinnigan/CE/Fisons/Carlo Erba Flash EA™ 1112</p> <p>54 Eurovector EA3000 - 18/6 Tubes</p> <p>56 Eurovector EA3000 - Straight Tubes</p> <p>59 Elementar Vario EL</p> <p>60 Elementar (Foss-Heraeus) CHN Rapid</p> <p>62 Perkin Elmer 2400</p> <p>63 Leco® CHN-900 Leco® CHNS-932 Leco® 900/932 Gas Scrubbing Tube</p> <hr/> <p>CROSS-REFERENCE</p> <p>64 ThermoFinnigan/CE/Fisons/Carlo Erba</p> <p>65 Leco®</p> <p>66 Perkin Elmer</p> <p>67 Europa Exeter</p> <p>68 Costech Elementar</p> <p>69 Eurovector</p> <hr/> <p>Inside back cover: Faxback form for literature request</p> |
|---|--|

About the Company

Elemental Microanalysis grew from small beginnings almost 30 years ago as a micro-analytical laboratory to its current form as a leading manufacturer and supplier of consumables, supplies and other products for Elemental Analysers. We operate from our purpose-built factory and laboratory complex in Devon UK.

You learn a lot in 30 years - a lot about your products - how to make them and how to use them, a lot about your customers and their needs. We have been developing, refining and using products for elemental analysis since 1976 and have a unique in-depth knowledge of instruments from all manufacturers.

These days we offer the world's largest range of products for elemental analysers sending our products to customers across the globe.

We take great care with the quality of our products. The vast majority are manufactured in-house by our trained technicians within our ISO 9001:2000 accredited quality system. But we don't just make the products - we use them every day in our own analytical laboratory giving

us constant feedback on their performance. We do not compromise on quality and don't expect you to either. Our total satisfaction guarantee backs up our commitment to our product quality.

'Price is what you pay, value is what you get'. As the leading independent supplier of elemental analysis consumables you can achieve substantial savings in comparison to the prices charged by the original supplier of your instrument. But we know that you need more from a supplier than simply low prices. You need to buy with the confidence that your analysis will not be compromised by poor quality consumables and the knowledge that your supplier has all the resources to provide the full range of support that you expect.

We will always treat our customers with honesty and integrity. If we do make a mistake we don't try to hide it - we recognise it and put it right. We won't sell you short measure and we won't mislead you in any way. Our business is built on long-term relationships as our customers will testify - many have been with us for more than 20 years.



Guaranteed quality

Our quality system is certified to BS EN ISO 9001:2000 by LRQA under certificate no 956566 and is regularly audited by independent specialists. Our confidence in our products allows us to offer you a total satisfaction guarantee: if our product does not perform at least as well as the product brand you usually use you can return it for a full refund.



Try our products - free of charge!

Try before you buy - we have sample packs available for most elemental analysers on the market. Just let us know the instrument you have and we will send you a trial quantity of 3-4 different consumables to try - free and with no obligation. Offer limited to one per customer.

Sales service

Our sales staff will ensure that your order is despatched promptly and correctly. They can tell you about our stock levels, prices, shipping arrangements, or answer any other queries you may have.

Most orders are despatched within 24 hours of receipt. Rush orders receive special attention and are processed immediately. If you have an urgent problem or require priority despatch, please let us know.

Technical service

In this catalogue we have tried to provide the most accurate and complete information possible about our ever-expanding range. We realise, however, that you may require additional technical information. For this reason we have technical specialists on hand to answer your questions and advise you on selecting the products best suited to your needs. We can also supply samples, and even develop new products for your particular application.

Design changes

We are constantly working on improving our products and these improvements may mean that some products differ from the descriptions in this catalogue. Our technical staff are happy to discuss any improvements made, and the resultant benefits.



Terms and conditions of sale

The acceptance of any order is on the understanding that the purchaser agrees to the following Terms and Conditions of Sale:

Prices and orders

Prices can be confirmed by contacting our sales team. Both quoted and printed prices may be subject to alteration without notice. Order numbers are not required if payment can be made against invoice.

Quotations and invoices

Quotations are subject to confirmation on receipt of order. We reserve the right to amend any accidental errors or omissions.

Delivery

Although every effort will be made to honour delivery dates, no liability can be accepted if delays or non-delivery occurs.

Amendments or cancellations

Once an order is placed we consider it firm and only open to cancellation or amendment with our agreement.

Responsibility

Our responsibility is limited to the supply of goods of the type and quantity ordered and all consequential or resulting liability is expressly excluded.

Product origins

The vast majority of products are manufactured and packed in the UK by Elemental Microanalysis Ltd. The use of instrument names, instrument manufacturer names and part numbers does not imply that the products are of instrument manufacturer's origin.

Health, Safety and the Environment

We care about the effects our products may have on the health of our customers. Up to date health and safety information on relevant products (MSDS) is attached to the delivery note of every order.

Users are warned to examine and test goods and to exercise special care in cases where the use or storage of goods involves danger to people or property.

Particular care is needed with glass equipment and chemicals. We cannot accept liability for and injury or damage caused in any circumstances.

Our location, on the edge of the beautiful Dartmoor National Park, reminds us every day of our environmental responsibility. We are committed to the protection of the natural environment and ensure that any impact of our manufacturing activities is minimised.

We do not discharge hazardous effluents or atmospheric emissions in our manufacturing processes. We recycle waste metals, heat and most chemicals. Any materials that cannot be recycled are disposed of in a responsible manner. We operate a 'return to manufacturer' facility for safe disposal of used materials that we have supplied.



Elemental Microanalysis pressed capsules for solid samples are available in standard and ultra-light weights. They are manufactured to exacting standards ensuring consistently low blank values and uniform weight.

They can be used without any cleaning pre-treatment, but for critical samples solvent cleaning or the use of our ultra-clean capsules is recommended. They should not be ultrasonically cleaned as damage may result.

We can manufacture capsules in sizes and materials other than those listed below. We also offer discounts for larger quantities. Please enquire for details.

Elemental Microanalysis pressed tin capsules for solid samples are available in standard and ultra-light weights.

Standard weight

For routine use.

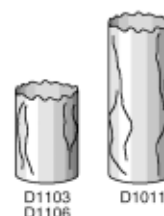
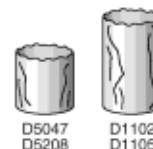
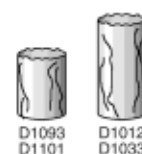
| Diameter | Height | Weight | Pack | Cat no |
|----------|---------|--------|------|--------|
| 2 mm | 4.5 mm | 8 mg | 100 | D1083 |
| 3.2 mm | 4 mm | 8 mg | 500 | D1000 |
| 3.2 mm | 4 mm | 8 mg | 100 | D1001 |
| 3.2 mm | 5.25 mm | 12 mg | 100 | D1109 |
| 3.2 mm | 6.5 mm | 17 mg | 100 | D1086 |
| 3.5 mm | 3.75 mm | 8 mg | 100 | D1087 |
| 3.5 mm | 5 mm | 12 mg | 500 | D1002 |
| 3.5 mm | 5 mm | 12 mg | 100 | D1003 |
| 3.5 mm | 6.25 mm | 17 mg | 100 | D1088 |
| 3.5 mm | 8.75 mm | 30 mg | 100 | D1089 |
| 4 mm | 4.75 mm | 12 mg | 100 | D1090 |
| 4 mm | 6 mm | 17 mg | 500 | D1006 |
| 4 mm | 6 mm | 17 mg | 100 | D1007 |
| 4 mm | 8.5 mm | 30 mg | 100 | D1091 |
| 5 mm | 5.5 mm | 17 mg | 100 | D1092 |
| 5 mm | 8 mm | 30 mg | 250 | D1008 |
| 5 mm | 8 mm | 30 mg | 100 | D1009 |
| 5 mm | 12.5 mm | 62 mg | 200 | D1010 |
| 6 mm | 7.5 mm | 30 mg | 100 | D1093 |
| 6 mm | 12 mm | 62 mg | 200 | D1012 |
| 6 mm | 14 mm | 82 mg | 200 | D1017 |
| 7 mm | 7 mm | 30 mg | 100 | D5047 |
| 7 mm | 11.5 mm | 62 mg | 100 | D1102 |
| 8 mm | 11 mm | 62 mg | 100 | D1103 |
| 8 mm | 13.5 mm | 82 mg | 200 | D1018 |
| 8 mm | 20 mm | 146 mg | 100 | D1011 |
| 9 mm | 10.5 mm | 62 mg | 100 | D1104 |
| 10 mm | 10 mm | 62 mg | 100 | D5055 |

Ultra-light weight

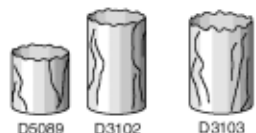
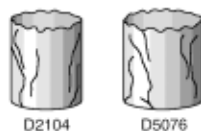
A range of ultra-light weight tin capsules weighing 40% less than the standard range. These lower weight capsules produce less swarf build-up in combustion tubes, have lower blank values and provide more available oxygen for effective combustion of samples.

| Diameter | Height | Weight | Pack | Cat no |
|----------|---------|--------|------|--------|
| 2 mm | 4.5 mm | 5 mg | 100 | D1084 |
| 3.2 mm | 4 mm | 5 mg | 100 | D1014 |
| 3.2 mm | 5.25 mm | 8 mg | 100 | D1108 |
| 3.2 mm | 6.5 mm | 11 mg | 100 | D1094 |
| 3.5 mm | 3.75 mm | 5 mg | 100 | D1095 |
| 3.5 mm | 5 mm | 8 mg | 100 | D1015 |
| 3.5 mm | 6.25 mm | 11 mg | 100 | D1096 |
| 3.5 mm | 8.75 mm | 19 mg | 100 | D1097 |
| 4 mm | 4.75 mm | 11 mg | 100 | D1098 |
| 4 mm | 6 mm | 11 mg | 100 | D1016 |
| 4 mm | 8.5 mm | 19 mg | 100 | D1099 |
| 5 mm | 5.5 mm | 11 mg | 100 | D1100 |
| 5 mm | 8 mm | 19 mg | 100 | D1013 |
| 5 mm | 12.5 mm | 39 mg | 100 | D1032 |
| 6 mm | 7.5 mm | 19 mg | 100 | D1101 |
| 6 mm | 12 mm | 39 mg | 100 | D1033 |
| 7 mm | 7 mm | 19 mg | 100 | D5208 |
| 7 mm | 11.5 mm | 39 mg | 100 | D1105 |
| 8 mm | 11 mm | 39 mg | 100 | D1106 |
| 9 mm | 10.5 mm | 39 mg | 100 | D1107 |
| 10 mm | 10 mm | 39 mg | 100 | D5216 |

Actual size



Actual size



Pressed Silver Capsules

Silver capsules may become slightly oxidised or tarnished due to oxygen and contaminants in the air. This can easily be removed by heating to 375° C in air for one hour prior to use. They should be stored long term under an inert gas. For routine use.

| Diameter | Height | Weight | Pack | Cat no |
|----------|---------|--------|------|--------|
| 2 mm | 4.5 mm | 15 mg | 100 | D2083 |
| 3.2 mm | 4 mm | 15 mg | 500 | D2000 |
| 3.2 mm | 4 mm | 15 mg | 100 | D2001 |
| 3.2 mm | 5.25 mm | 22 mg | 100 | D2085 |
| 3.2 mm | 6.5 mm | 31 mg | 100 | D2086 |
| 3.5 mm | 3.75 mm | 15 mg | 100 | D2087 |
| 3.5 mm | 5 mm | 22 mg | 100 | D2003 |
| 3.5 mm | 5 mm | 22 mg | 500 | D2002 |
| 3.5 mm | 6.25 mm | 31 mg | 100 | D2088 |
| 3.5 mm | 8.75 mm | 54 mg | 100 | D2089 |
| 4 mm | 4.75 mm | 22 mg | 100 | D2090 |
| 4 mm | 6 mm | 31 mg | 500 | D2006 |
| 4 mm | 6 mm | 31 mg | 100 | D2007 |
| 4 mm | 8.5 mm | 54 mg | 100 | D2091 |
| 5 mm | 5.5 mm | 31 mg | 100 | D2092 |
| 5 mm | 8 mm | 54 mg | 250 | D2008 |
| 5 mm | 8 mm | 54 mg | 100 | D2009 |
| 5 mm | 12.5 mm | 110 mg | 200 | D2010 |
| 6 mm | 7.5 mm | 54 mg | 100 | D2093 |
| 6 mm | 12 mm | 110 mg | 200 | D2012 |
| 7 mm | 7 mm | 54 mg | 100 | D5069 |
| 7 mm | 11.5 mm | 110 mg | 100 | D2102 |
| 8 mm | 11 mm | 110 mg | 100 | D2103 |
| 9 mm | 10.5 mm | 110 mg | 100 | D2104 |
| 10 mm | 10 mm | 110 mg | 100 | D5076 |

Pressed Aluminium Capsules

For routine use.

| Diameter | Height | Weight | Pack | Cat no |
|----------|---------|--------|------|--------|
| 2 mm | 4.5 mm | 4 mg | 100 | D3083 |
| 3.2 mm | 4 mm | 4 mg | 500 | D3000 |
| 3.2 mm | 5.25 mm | 6 mg | 100 | D3085 |
| 3.2 mm | 6.5 mm | 8 mg | 100 | D3086 |
| 3.5 mm | 3.75 mm | 4 mg | 100 | D3087 |
| 3.5 mm | 5 mm | 6 mg | 500 | D3001 |
| 3.5 mm | 6.25 mm | 8 mg | 100 | D3088 |
| 3.5 mm | 8.75 mm | 14 mg | 100 | D3089 |
| 4 mm | 4.75 mm | 6 mg | 100 | D3090 |
| 4 mm | 6 mm | 8 mg | 500 | D3003 |
| 4 mm | 8.5 mm | 14 mg | 100 | D3091 |
| 5 mm | 5.5 mm | 8 mg | 100 | D3092 |
| 5 mm | 8 mm | 14 mg | 250 | D3004 |
| 5 mm | 12.5 mm | 27 mg | 200 | D3005 |
| 6 mm | 7.5 mm | 14 mg | 100 | D3093 |
| 6 mm | 12 mm | 27 mg | 200 | D3006 |
| 7 mm | 7 mm | 14 mg | 100 | D5089 |
| 7 mm | 11.5 mm | 27 mg | 100 | D3102 |
| 8 mm | 11 mm | 27 mg | 100 | D3103 |
| 9 mm | 10.5 mm | 27 mg | 100 | D3104 |
| 10 mm | 10 mm | 27 mg | 100 | D5097 |

Pressed Nickel Capsules

Elemental Microanalysis pressed nickel capsules are manufactured from high purity foil to exacting standards to ensure consistent low blank values and uniform weight. They can be used without any cleaning pre-treatment, but for critical work solvent cleaning or the use of pre-cleaned capsules is recommended. For specialised applications.

| Diameter | Height | Weight | Pack | Cat no |
|----------|---------|--------|------|--------|
| 5 mm | 12.5 mm | 85 mg | 100 | D3500 |
| 5 mm | 8 mm | 38 mg | 250 | D3502 |
| 5 mm | 8 mm | 36 mg | 250 | D3503 |



(D3503 has a 1 mm dia. hole in the bottom)

Elemental Microanalysis ultra-clean capsules are carefully solvent extracted then individually packaged in trays of 96 capsules ready for immediate use or in single packs of 250 (100 in the case of ultra-light tin capsules).

Tin capsules are available in standard and ultra-light weights.

Silver capsules may become slightly oxidised or tarnished due to oxygen and contaminants in the air. This can easily be removed by heating to 375°C in air for one hour prior to use.

Silver capsules should be stored long term under an inert gas.

We can manufacture capsules in sizes and materials other than those listed on this page. We also offer discounts for larger quantities. Please enquire for details.

Ultra-Clean Pressed Tin Capsules

Standard weight

| Diameter | Height | Weight | Pack | Cat no |
|----------|--------|--------|---------|--------|
| 4 mm | 6 mm | 17 mg | 96 | D1027 |
| 4 mm | 6 mm | 17 mg | 250 | D1028 |
| 4 mm | 6 mm | 17 mg | 10 x 96 | D1112 |
| 5 mm | 8 mm | 30 mg | 96 | D1029 |
| 5 mm | 8 mm | 30 mg | 250 | D1034 |
| 5 mm | 8 mm | 30 mg | 10 x 96 | D1113 |
| 7 mm | 7 mm | 30 mg | 48 | D1037 |
| 7 mm | 7 mm | 30 mg | 10 x 48 | D1114 |

Ultra-light weight

| Diameter | Height | Weight | Pack | Cat no |
|----------|--------|--------|---------|--------|
| 4 mm | 6 mm | 11 mg | 96 | D1030 |
| 4 mm | 6 mm | 11 mg | 100 | D1035 |
| 4 mm | 6 mm | 11 mg | 10 x 96 | D1110 |
| 5 mm | 8 mm | 19 mg | 96 | D1031 |
| 5 mm | 8 mm | 19 mg | 100 | D1036 |
| 5 mm | 8 mm | 19 mg | 96 x 10 | D1111 |



D1027, D1028,
D1030, D1035,
D2027, D2028,
D3027, D3028



D1029, D1034,
D1031, D1036,
D2029, D2030,
D3029, D3030

Actual size

Ultra-Clean Pressed Silver Capsules

| Diameter | Height | Weight | Pack | Cat no |
|----------|--------|--------|------|--------|
| 4 mm | 6 mm | 22 mg | 96 | D2027 |
| 4 mm | 6 mm | 22 mg | 250 | D2028 |
| 5 mm | 8 mm | 31 mg | 96 | D2029 |
| 5 mm | 8 mm | 31 mg | 250 | D2030 |

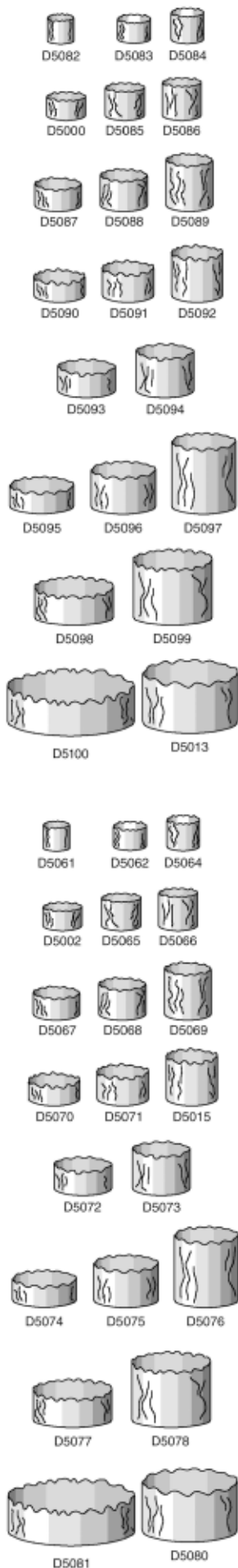
Ultra-Clean Pressed Aluminium Capsules

| Diameter | Height | Weight | Pack | Cat no |
|----------|--------|--------|------|--------|
| 4 mm | 6 mm | 22 mg | 96 | D3027 |
| 4 mm | 6 mm | 22 mg | 250 | D3028 |
| 5 mm | 8 mm | 31 mg | 96 | D3029 |
| 5 mm | 8 mm | 31 mg | 250 | D3030 |

Ultra-Clean Pressed Nickel Capsules

| Diameter | Height | Weight | Pack | Cat no |
|----------|--------|--------|------|--------|
| 5 mm | 8 mm | 38 mg | 96 | D3504 |

Actual size



Pressed Aluminium Pans for Solid Samples

| Diameter | Height | Weight | Pack | Cat no |
|----------|---------|--------|------|--------|
| 4 mm | 3.5 mm | 4 mg | 100 | D5082 |
| 5 mm | 3 mm | 4 mg | 100 | D5083 |
| 5 mm | 4.25 mm | 6 mg | 100 | D5084 |
| 6 mm | 2.5 mm | 4 mg | 100 | D5000 |
| 6 mm | 3.75 mm | 8 mg | 100 | D5085 |
| 6 mm | 5 mm | 8 mg | 100 | D5086 |
| 7 mm | 3.25 mm | 6 mg | 100 | D5087 |
| 7 mm | 4.5 mm | 8 mg | 100 | D5088 |
| 7 mm | 7 mm | 14 mg | 100 | D5089 |
| 8 mm | 2.75 mm | 6 mg | 100 | D5090 |
| 8 mm | 4 mm | 8 mg | 100 | D5091 |
| 8 mm | 5.5 mm | 55 mg | 100 | D8601 |
| 8 mm | 6.5 mm | 14 mg | 100 | D5092 |
| 9 mm | 3.5 mm | 8 mg | 100 | D5093 |
| 9 mm | 6 mm | 14 mg | 100 | D5094 |
| 10 mm | 3 mm | 8 mg | 100 | D5095 |
| 10 mm | 5.5 mm | 14 mg | 100 | D5096 |
| 10 mm | 10 mm | 28 mg | 100 | D5097 |
| 12.5 mm | 4.25 mm | 14 mg | 100 | D5098 |
| 12.5 mm | 8.75 mm | 28 mg | 100 | D5099 |
| 15 mm | 3 mm | 14 mg | 100 | D5012 |
| 15 mm | 7.5 mm | 28 mg | 100 | D5013 |
| 20 mm | 5 mm | 28 mg | 100 | D5100 |

Elemental Microanalysis pressed pans for solid samples are manufactured to exacting standards to ensure consistently low blank values, high quality fabrication and uniform weight. They are available in aluminium, silver and tin.

They can be used without any cleaning pre-treatment, but for critical samples solvent cleaning or the use of our ultra-clean capsules is recommended. They should not be ultrasonically cleaned as damage may result.

We can manufacture pans in sizes and materials other than those listed below. We also offer discounts for larger quantities. Please enquire for details.

Pressed Aluminium Pan D8601
(Not actual size)



Pressed Silver Pans for Solid Samples

Silver pans may become slightly oxidised or tarnished due to oxygen and contaminants in the air. This can easily be removed by heating to 375°C in air for one hour prior to use.

Silver pans should be stored long term under an inert gas.

| Diameter | Height | Weight | Pack | Cat no |
|----------|---------|--------|------|--------|
| 4 mm | 3.5 mm | 15 mg | 100 | D5061 |
| 5 mm | 3 mm | 15 mg | 100 | D5062 |
| 5 mm | 4.25 mm | 22 mg | 100 | D5064 |
| 6 mm | 2.5 mm | 15 mg | 100 | D5002 |
| 6 mm | 3.75 mm | 22 mg | 100 | D5065 |
| 6 mm | 5 mm | 31 mg | 100 | D5066 |
| 7 mm | 3.25 mm | 22 mg | 100 | D5067 |
| 7 mm | 4.5 mm | 31 mg | 100 | D5068 |
| 7 mm | 7 mm | 54 mg | 100 | D5069 |
| 8 mm | 2.75 mm | 22 mg | 100 | D5070 |
| 8 mm | 4 mm | 31 mg | 100 | D5071 |
| 8 mm | 6.5 mm | 54 mg | 100 | D5015 |
| 9 mm | 3.5 mm | 31 mg | 100 | D5072 |
| 9 mm | 6 mm | 54 mg | 100 | D5073 |
| 10 mm | 3 mm | 31 mg | 100 | D5074 |
| 10 mm | 5.5 mm | 54 mg | 100 | D5075 |
| 10 mm | 10 mm | 110mg | 100 | D5076 |
| 12.5 mm | 4.25 mm | 54 mg | 100 | D5077 |
| 12.5 mm | 8.75 mm | 110 mg | 100 | D5078 |
| 15 mm | 7.5 mm | 110 mg | 100 | D5080 |
| 20 mm | 5 mm | 110 mg | 100 | D5081 |

Pressed Tin Pans for Solid Samples

Elemental Microanalysis pressed pans for solid samples are available in two weights - solid and ultra-light.

They can be used without any cleaning pre-treatment, but for critical samples solvent cleaning or the use of our ultra-clean capsules is recommended.

They should not be ultrasonically cleaned as damage may result.

Standard weight

| Diameter | Height | Weight | Pack | Cat no |
|----------|---------|--------|------|--------|
| 4 mm | 3.5 mm | 8 mg | 100 | D5040 |
| 5 mm | 3 mm | 8 mg | 100 | D5041 |
| 5 mm | 4.25 mm | 12 mg | 100 | D5042 |
| 6 mm | 2.5 mm | 8 mg | 100 | D5003 |
| 6 mm | 3.75 mm | 12 mg | 100 | D5043 |
| 6 mm | 5 mm | 17 mg | 100 | D5044 |
| 7 mm | 3.25 mm | 12 mg | 100 | D5045 |
| 7 mm | 4.5 mm | 17 mg | 100 | D5046 |
| 7 mm | 7 mm | 30 mg | 100 | D5047 |
| 8 mm | 2.75 mm | 12 mg | 100 | D5048 |
| 8 mm | 4 mm | 17 mg | 100 | D5049 |
| 8 mm | 6.5 mm | 30 mg | 100 | D5050 |
| 9 mm | 3.5 mm | 17 mg | 100 | D5051 |
| 9 mm | 6 mm | 30 mg | 100 | D5052 |
| 10 mm | 3 mm | 17 mg | 100 | D5053 |
| 10 mm | 5.5 mm | 30 mg | 100 | D5054 |
| 10 mm | 10 mm | 62 mg | 100 | D5055 |
| 12.5 mm | 4.25 mm | 30 mg | 100 | D5056 |
| 12.5 mm | 8.75 mm | 62 mg | 100 | D5057 |
| 15 mm | 7.5 mm | 62 mg | 100 | D5059 |
| 20 mm | 5 mm | 62 mg | 100 | D5060 |

Ultra-light weight

Weigh approximately 40% less than the standard range.

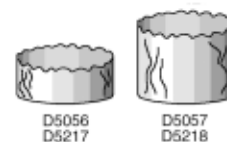
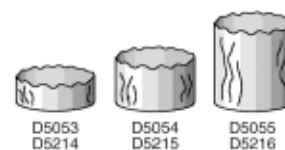
| Diameter | Height | Weight | Pack | Cat no |
|----------|---------|--------|------|--------|
| 4 mm | 3.5 mm | 5 mg | 100 | D5200 |
| 5 mm | 3 mm | 5 mg | 100 | D5201 |
| 5 mm | 4.25 mm | 8 mg | 100 | D5202 |
| 6 mm | 2.5 mm | 5 mg | 100 | D5203 |
| 6 mm | 3.75 mm | 8 mg | 100 | D5204 |
| 6 mm | 5 mm | 11 mg | 100 | D5205 |
| 7 mm | 3.25 mm | 8 mg | 100 | D5206 |
| 7 mm | 4.5 mm | 11 mg | 100 | D5207 |
| 7 mm | 7 mm | 19 mg | 100 | D5208 |
| 8 mm | 2.75 mm | 8 mg | 100 | D5209 |
| 8 mm | 4 mm | 11 mg | 100 | D5210 |
| 8 mm | 6.5 mm | 19 mg | 100 | D5211 |
| 9 mm | 3.5 mm | 11 mg | 100 | D5212 |
| 9 mm | 6 mm | 19 mg | 100 | D5213 |
| 10 mm | 3 mm | 11 mg | 100 | D5214 |
| 10 mm | 5.5 mm | 19 mg | 100 | D5215 |
| 10 mm | 10 mm | 39 mg | 100 | D5216 |
| 12.5 mm | 4.25 mm | 19 mg | 100 | D5217 |
| 12.5 mm | 8.75 mm | 39 mg | 100 | D5218 |
| 15 mm | 7.5 mm | 39 mg | 100 | D5220 |
| 20 mm | 5 mm | 39 mg | 100 | D5221 |

Ultra-clean, ultra-light weight

Weigh approximately 40% less than the standard range.

| Diameter | Height | Weight | Pack | Cat no |
|----------|--------|--------|------|--------|
| 4 mm | 3.5 mm | 8 mg | 100 | D5222 |

Actual size



Aluminium Pans for moisture determination

CHNOS analysis

Elemental Microanalysis moisture determination pans are suitable for use with all models of moisture determination balance. They are constructed with ribbing for rigidity whilst still maintaining low tare weight.

| Diameter | Depth | Weight | Pack | Cat no |
|----------|-------|--------|------|--------|
| 100 mm | 7 mm | 2.4 g | 100 | D5014 |



Aluminium Pans D5014



Nickel Boat Liners

CHNOS analysis

| Length | Width | Height | Weight | Pack | Cat no |
|--------|-------|--------|----------|------|--------|
| 50 mm | 15 mm | 8 mm | 0.200 mg | 100 | D5300 |
| 66 mm | 21 mm | 11 mm | 1.31 g | 10 | D5310 |



Nickel Boat Liners D5310



Nickel Boat Liners D5300

Tin Foil Evaporating Cups

CHNOS analysis

Tin Foil Evaporating Cup
D8012 / D8013



Ideal for drying liquid samples down to residues prior to feeding into an elemental analyser. The shape has been designed so that the residue forms in the bottom of the cup and allows easy folding. Capacity is approximately 10 cc.

| Diameter | Height | Weight | Pack | Cat no |
|----------|--------|--------|------|--------|
| 24 mm | 28 mm | 390 mg | 48 | D8012 |

Pre-Cleaned Foil Cups

| Diameter | Height | Weight | Pack | Cat no |
|----------|--------|--------|------|--------|
| 24mm | 28mm | 390 mg | 48 | D8013 |

A thermostatically controlled hotplate with a 40-position plate machined to hold the cups in position for drying is available.

| Product | Unit | Cat no |
|--|------|--------|
| Hotplate for tin foil evaporating cups, 220/240 V ac | 1 | E5006 |
| Hotplate for tin foil evaporating cups, 110/120 V ac | 1 | E5007 |

Foil Discs for Glass Fibre Filters, Fibrous and Sticky Samples

Elemental Microanalysis metal foil discs are ideal for the encapsulation of sticky, fibrous or other samples which are difficult to handle using conventional pressed capsules. A small dab or a few fibres on a disc is easily encapsulated by folding the foil around the sample. With a little practice even glass fibre filters can be rolled up in foil discs to form neat cylinders which fit the instrument carousel.

(all outlines actual size)



D1060
D1070
D2060
D3060



D1061
D1071
D2061
D3061



D1063
D1073
D2063
D3063



D1064
D1074
D2064
D3064



D1065
D1066
D1076
D2066
D3066

Standard weight tin foil discs

Manufactured from high purity tin. Suitable for routine use.

| Diameter | Thickness | Weight | Pack | Cat no |
|----------|-----------|--------|------|--------|
| 11 mm | 0.0125 mm | 8mg | 100 | D1060 |
| 13.5 mm | 0.0125 mm | 12mg | 100 | D1061 |
| 16 mm | 0.0125 mm | 17mg | 100 | D1063 |
| 21 mm | 0.0125 mm | 30mg | 100 | D1064 |
| 30 mm | 0.0125 mm | 62mg | 100 | D1066 |
| 34 mm | 0.0125 mm | 82mg | 100 | D1059 |
| 85 mm | 0.0125 mm | 510mg | 100 | D1077 |

Ultra-light weight tin foil discs

Weigh approximately 40% less than the standard range. These lower weight squares produce less swarf build-up in combustion tubes, have lower blank values and provide more available oxygen for the effective combustion of the sample.

| Diameter | Thickness | Weight | Pack | Cat no |
|----------|-----------|--------|------|--------|
| 11 mm | 0.008 mm | 5mg | 100 | D1070 |
| 13.5 mm | 0.008 mm | 8mg | 100 | D1071 |
| 16 mm | 0.008 mm | 11mg | 100 | D1073 |
| 21 mm | 0.008 mm | 19mg | 100 | D1074 |
| 30 mm | 0.008 mm | 39mg | 100 | D1076 |

Heavy weight tin foil discs

| Diameter | Thickness | Weight | Pack | Cat no |
|----------|-----------|--------|------|--------|
| 30 mm | 0.200 mm | 0.1g | 100 | D1065 |

Silver foil discs

Manufactured from high purity silver foil. Suitable for routine use.

| Diameter | Thickness | Weight | Pack | Cat no |
|----------|-----------|--------|------|--------|
| 11 mm | 0.015 mm | 15mg | 100 | D2060 |
| 13.5 mm | 0.015 mm | 22mg | 100 | D2061 |
| 16 mm | 0.015 mm | 31mg | 100 | D2063 |
| 21 mm | 0.015 mm | 54mg | 100 | D2064 |
| 30 mm | 0.015 mm | 110mg | 100 | D2066 |

Aluminium foil discs

Manufactured from high purity aluminium foil. Suitable for routine use.

| Diameter | Thickness | Weight | Pack | Cat no |
|----------|-----------|--------|------|--------|
| 11 mm | 0.015 mm | 4mg | 100 | D3060 |
| 13.5 mm | 0.015 mm | 6mg | 100 | D3061 |
| 16 mm | 0.015 mm | 8mg | 100 | D3063 |
| 21 mm | 0.015 mm | 14mg | 100 | D3064 |
| 30 mm | 0.015 mm | 28mg | 100 | D3066 |

Foil discs in other materials

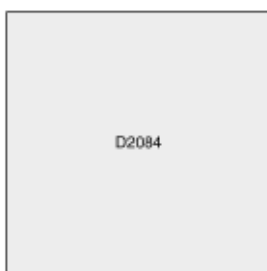
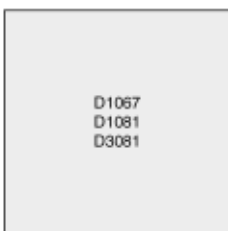
Elemental Microanalysis foil discs are available in other materials and sizes for your specific application. Please enquire for more information.

Tin Foil Cones

| Weight | Pack | Cat no |
|--------|------|--------|
| 120mg | 100 | D9001 |
| 120mg | 1500 | D9010 |



(all outlines actual size)



Foil Squares for Glass Fibre Filters, Fibrous and Sticky Samples

Standard weight tin foil squares

Manufactured from high quality tin. Suitable for routine use.

| Size | Thickness | Weight | Pack | Cat no |
|------------|-----------|--------|------|--------|
| 22 x 22 mm | 0.0125 mm | 44 mg | 100 | D1062 |
| 30 x 30 mm | 0.0125 mm | 82 mg | 100 | D1067 |
| 37 x 37 mm | 0.0125 mm | 125 mg | 100 | D1068 |
| 37 x 37 mm | 0.0125 mm | 125 mg | 400 | D1116 |
| 43 x 43 mm | 0.0125 mm | 168 mg | 100 | D1085 |
| 50 x 50 mm | 0.0125 mm | 225 mg | 100 | D1115 |

Ultra-light weight tin foil squares

Weigh approximately 40% less than the standard range. These lower weight squares produce less swarf build-up in combustion tubes, have lower blank values and provide more available oxygen for the effective combustion of the sample.

| Size | Thickness | Weight | Pack | Cat no |
|------------|-----------|--------|------|--------|
| 22 x 22 mm | 0.008 mm | 28 mg | 100 | D1080 |
| 30 x 30 mm | 0.008 mm | 52 mg | 100 | D1081 |
| 37 x 37 mm | 0.008 mm | 80 mg | 100 | D1082 |

Silver foil squares

Manufactured from high purity silver. Suitable for routine use.

| Size | Thickness | Weight | Pack | Cat no |
|------------|-----------|--------|------|--------|
| 15 x 15 mm | 0.015 mm | 35mg | 100 | D2080 |
| 20 x 20 mm | 0.015 mm | 63mg | 100 | D2081 |
| 25 x 25 mm | 0.015 mm | 98mg | 100 | D2082 |
| 35 x 35 mm | 0.015 mm | 192mg | 100 | D2084 |

Aluminium foil squares

Manufactured from high purity aluminium. Suitable for routine use.

| Size | Thickness | Weight | Pack | Cat no |
|------------|-----------|--------|------|--------|
| 22 x 22 mm | 0.015 mm | 19mg | 100 | D3080 |
| 30 x 30 mm | 0.015 mm | 36mg | 100 | D3081 |
| 37 x 37 mm | 0.015 mm | 55mg | 100 | D3082 |

Nickel foil squares

Suitable for routine use. Annealed.

| Size | Thickness | Weight | Pack | Cat no |
|------------|-----------|--------|------|--------|
| 25 x 25 mm | 0.015 mm | 83mg | 100 | D3505 |

Foil squares in other materials

Elemental Microanalysis foil squares are available in other materials and sizes for your specific application. Please enquire for more information.

Elemental Microanalysis metal foil squares are ideal for the encapsulation of sticky, fibrous or other samples which are difficult to handle using conventional pressed capsules. A small dab or a few fibres on a square is easily encapsulated by folding the foil around the sample. With a little practice even glass fibre filters can be rolled up in foil squares to form neat cylinders which fit the instrument carousel.



Flat Bottom Smooth Tin Capsules

| Diameter | Height | Weight | Pack | Cat no |
|----------|--------|--------|------|--------|
| 2 mm | 3.5 mm | 19 mg | 100 | D4040 |
| 2 mm | 4 mm | 21 mg | 100 | D4041 |
| 2 mm | 4.5 mm | 23 mg | 100 | D4019 |
| 2 mm | 5 mm | 25 mg | 100 | D4042 |
| 2 mm | 5.5 mm | 27 mg | 100 | D4000 |
| 3 mm | 3.5 mm | 31 mg | 100 | D4025 |
| 3 mm | 4 mm | 34 mg | 100 | D4043 |
| 3 mm | 4.5 mm | 38 mg | 100 | D4044 |
| 3 mm | 5 mm | 41 mg | 100 | D4045 |
| 3 mm | 5.5 mm | 45 mg | 100 | D4046 |
| 3 mm | 6 mm | 48 mg | 100 | D4001 |
| 3 mm | 7 mm | 54 mg | 100 | D4020 |
| 3 mm | 8 mm | 65 mg | 100 | D4021 |
| 3.5 mm | 4 mm | 42 mg | 100 | D4032 |
| 3.5 mm | 4.5 mm | 46 mg | 100 | D4047 |
| 3.5 mm | 5 mm | 51 mg | 100 | D4048 |
| 3.5 mm | 5.5 mm | 55 mg | 100 | D4033 |
| 3.5 mm | 6 mm | 59 mg | 100 | D4049 |
| 3.5 mm | 7 mm | 66 mg | 100 | D4034 |
| 3.5 mm | 8 mm | 75 mg | 100 | D4050 |
| 3.5 mm | 9 mm | 84 mg | 100 | D4035 |
| 5 mm | 5 mm | 76 mg | 100 | D4051 |
| 5 mm | 5.5 mm | 82 mg | 100 | D4052 |
| 5 mm | 6 mm | 88 mg | 100 | D4054 |
| 5 mm | 7 mm | 98 mg | 100 | D4036 |
| 5 mm | 8 mm | 111 mg | 100 | D4057 |
| 5 mm | 9 mm | 122 mg | 100 | D4059 |
| 5 mm | 10 mm | 134 mg | 100 | D4037 |
| 5 mm | 12 mm | 157 mg | 100 | D4038 |
| 5 mm | 18 mm | 222 mg | 100 | D4039 |
| 6 mm | 6 mm | 153 mg | 100 | D4084 |
| 6 mm | 7 mm | 172 mg | 100 | D4085 |
| 6 mm | 8 mm | 191 mg | 100 | D4086 |
| 6 mm | 9 mm | 210 mg | 100 | D4087 |
| 6 mm | 10 mm | 229 mg | 100 | D4088 |
| 6 mm | 12 mm | 266 mg | 100 | D4089 |
| 6 mm | 18 mm | 290 mg | 100 | D4090 |
| 8 mm | 8 mm | 219 mg | 100 | D4091 |
| 8 mm | 9 mm | 237 mg | 100 | D4092 |
| 8 mm | 10 mm | 255 mg | 100 | D4093 |
| 8 mm | 12 mm | 292 mg | 100 | D4094 |
| 8 mm | 18 mm | 401 mg | 100 | D4095 |
| 8 mm | 20 mm | 438 mg | 100 | D4096 |

Elemental Microanalysis smooth wall capsules for liquid samples are extruded to exacting standards to ensure consistently low blank values, high quality fabrication and low weight. Smooth wall capsules can be used without any cleaning pre-treatment, but we recommend solvent cleaning for critical work.

The capsules can be sealed using a proprietary sealing tool or mole grips, available from our microanalytical sundries section.

We can manufacture capsules in sizes and materials other than those listed here. Please enquire for details.

2 mm flat bottom capsules



Actual size

3 mm flat bottom capsules



3.5 mm flat bottom capsules



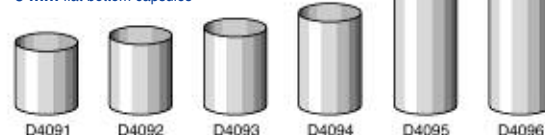
5 mm flat bottom capsules



6 mm flat bottom capsules



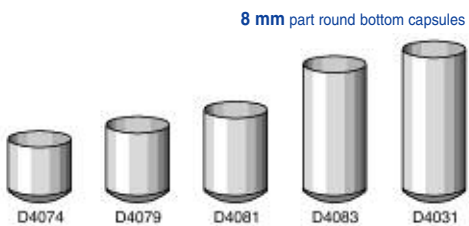
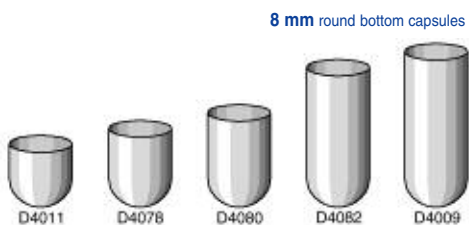
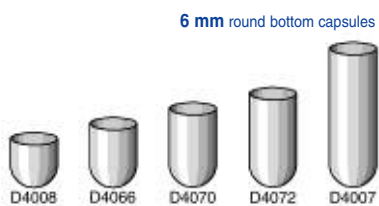
8 mm flat bottom capsules



Elemental Microanalysis smooth wall capsules for liquid samples are extruded to exacting standards to ensure consistently low blank values, high quality fabrication and low weight. Smooth wall capsules can be used without any cleaning pre-treatment, but we recommend solvent cleaning for critical work.

The capsules can be sealed using a proprietary sealing tool or mole grips, available from our microanalytical sundries section.

We can manufacture capsules in sizes and materials other than those listed below. Please enquire for details.



Round Bottom Smooth Tin Capsules

| Diameter | Height | Weight | Pack | Cat no |
|----------|--------|--------|------|--------|
| 3.5 mm | 7 mm | 70 mg | 100 | D4002 |
| 3.5 mm | 5.5 mm | 55 mg | 100 | D4023 |
| 5 mm | 5 mm | 96 mg | 100 | D4010 |
| 5 mm | 8 mm | 130 mg | 100 | D4058 |
| 5 mm | 10 mm | 153 mg | 100 | D4061 |
| 5 mm | 12 mm | 176 mg | 100 | D4062 |
| 5 mm | 18 mm | 245 mg | 100 | D4003 |
| 6 mm | 6 mm | 126 mg | 100 | D4008 |
| 6 mm | 8 mm | 153 mg | 100 | D4066 |
| 6 mm | 10 mm | 181 mg | 100 | D4070 |
| 6 mm | 12 mm | 208 mg | 100 | D4072 |
| 6 mm | 18 mm | 290 mg | 100 | D4007 |
| 8 mm | 8 mm | 224 mg | 100 | D4011 |
| 8 mm | 10 mm | 260 mg | 100 | D4078 |
| 8 mm | 12 mm | 297 mg | 100 | D4080 |
| 8 mm | 18 mm | 406 mg | 100 | D4082 |
| 8 mm | 20 mm | 443 mg | 100 | D4009 |

Part Round Bottom Smooth Tin Capsules

| Diameter | Height | Weight | Pack | Cat no |
|----------|--------|--------|------|--------|
| 6 mm | 6 mm | 122 mg | 100 | D4063 |
| 6 mm | 8 mm | 149 mg | 100 | D4067 |
| 6 mm | 10 mm | 177 mg | 100 | D4071 |
| 6 mm | 12 mm | 204 mg | 100 | D4073 |
| 6 mm | 18 mm | 287 mg | 100 | D4030 |
| 6 mm | 18 mm | 290 mg | 1000 | D4015 |
| 8 mm | 8 mm | 244 mg | 100 | D4074 |
| 8 mm | 10 mm | 281 mg | 100 | D4079 |
| 8 mm | 12 mm | 317 mg | 100 | D4081 |
| 8 mm | 18 mm | 427 mg | 100 | D4083 |
| 8 mm | 20 mm | 465 mg | 100 | D4031 |

Part Round Bottom Smooth Copper Capsules

| Diameter | Height | Weight | Pack | Cat no |
|----------|--------|--------|------|--------|
| 6 mm | 18 mm | 197 mg | 100 | D4100 |

Round Bottom Smooth Aluminium Capsules

| Diameter | Height | Weight | Pack | Cat no |
|----------|--------|--------|------|--------|
| 3 mm | 7 mm | - | 100 | D3010 |
| 3.2 mm | 7 mm | - | 250 | D4111 |
| 3.5 mm | 9 mm | - | 250 | D4110 |

Round Bottom Smooth Nickel Capsules

| Diameter | Height | Weight | Pack | Cat no |
|----------|--------|--------|------|--------|
| 5 mm | 11 mm | 270 mg | 100 | D3506 |

Round Bottom Smooth Silver Capsules

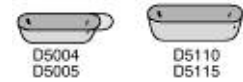
| Diameter | Height | Weight | Pack | Cat no |
|----------|--------|--------|------|--------|
| 2 mm | 5 mm | - | 250 | D4103 |
| 3.5 mm | 4 mm | 90 mg | 250 | D4104 |
| 3.5 mm | 5.5 mm | 113 mg | 250 | D4102 |
| 3.5 mm | 9 mm | 137 mg | 100 | D4101 |



Platinum Weighing Boats

| Length | Width | Height | Thickness | Weight | Pack | Cat no |
|--------|-------|--------------|-----------|--------|------|--------|
| 9 mm | 4 mm | 2.5 mm + tab | 0.1 mm | 150 mg | 1 | D5004 |
| 9 mm | 4 mm | 2.5 mm + tab | 0.05 mm | 75 mg | 1 | D5005 |
| 12 mm | 4 mm | 2.7 mm | 0.1 mm | 198 mg | 1 | D5110 |
| 12 mm | 4 mm | 2.7 mm | 0.05 mm | 99 mg | 1 | D5115 |

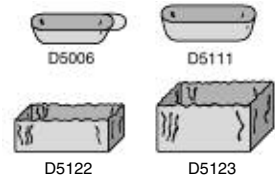
Actual size



Platinum Boat D5004

Nickel Weighing Boats

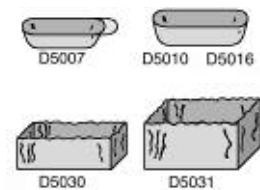
| Length | Width | Height | Thickness | Weight | Pack | Cat no |
|--------|-------|--------------|-----------|--------|------|--------|
| 9 mm | 4 mm | 2.5 mm + tab | 0.15 mm | 92 mg | 100 | D5006 |
| 12 mm | 4 mm | 2.7 mm | 0.15 mm | 122 mg | 100 | D5111 |
| 12 mm | 4 mm | 4 mm | 0.13 mm | - | 100 | D5122 |
| 12 mm | 6 mm | 6 mm | 0.13 mm | - | 100 | D5123 |



Nickel Boats D5006

Aluminium Weighing Boats

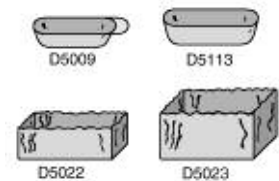
| Length | Width | Height | Thickness | Weight | Pack | Cat no |
|--------|-------|--------------|-----------|--------|------|--------|
| 9 mm | 4 mm | 2.5 mm + tab | 0.1 mm | 18 mg | 100 | D5007 |
| 12 mm | 6 mm | 6 mm | 0.015 mm | 25 mg | 500 | D5132 |
| 12 mm | 4 mm | 2.7 mm | 0.1 mm | 25 mg | 100 | D5010 |
| 12 mm | 4 mm | 2.7 mm | 0.1 mm | 25 mg | 500 | D5016 |
| 12 mm | 4 mm | 4 mm | 0.015 mm | 18 mg | 100 | D5030 |
| 12 mm | 4 mm | 4 mm | 0.015 mm | 18 mg | 1000 | D5131 |
| 12 mm | 6 mm | 6 mm | 0.015 mm | 25 mg | 100 | D5031 |
| 15 mm | 8 mm | 8 mm | 0.015 mm | 100 mg | 250 | D5036 |
| 20 mm | 10 mm | 9 mm | 0.015 mm | 175 mg | 120 | D5037 |



Tin Boat D5023

Tin Weighing Boats

| Length | Width | Height | Thickness | Weight | Pack | Cat no |
|--------|-------|--------------|-----------|--------|------|--------|
| 9 mm | 4 mm | 2.5 mm + tab | 0.1 mm | 40 mg | 100 | D5009 |
| 12 mm | 4 mm | 2.7 mm | 0.1 mm | 64 mg | 100 | D5113 |
| 12 mm | 4 mm | 4 mm | 0.0125 mm | 21 mg | 100 | D5022 |
| 12 mm | 4 mm | 4 mm | 0.0125 mm | 21 mg | 1000 | D5130 |
| 12 mm | 6 mm | 6 mm | 0.0125 mm | 38 mg | 100 | D5023 |
| 12 mm | 6 mm | 6 mm | 0.0125 mm | 38 mg | 500 | D5131 |
| 15 mm | 8 mm | 8 mm | 0.0200 mm | 100 mg | 250 | D5032 |
| 20 mm | 10 mm | 9 mm | 0.200 mm | 175 mg | 120 | D5033 |



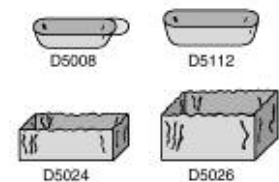
Copper Weighing Boats

| Length | Width | Height | Thickness | Weight | Pack | Cat no |
|--------|-------|--------------|-----------|--------|------|--------|
| 9 mm | 4 mm | 2.5 mm + tab | 0.1 mm | 109 mg | 100 | D5114 |
| 12 mm | 4 mm | 2.7 mm | 0.1 mm | 83 mg | 100 | D5020 |



Silver Weighing Boats

| Length | Width | Height | Thickness | Weight | Pack | Cat no |
|--------|-------|--------------|-----------|--------|------|--------|
| 9 mm | 4 mm | 2.5 mm + tab | 0.015 mm | 19 mg | 100 | D5008 |
| 12 mm | 4 mm | 2.7 mm | 0.015 mm | 15 mg | 100 | D5112 |
| 12 mm | 4 mm | 4 mm | 0.015 mm | 36 mg | 100 | D5024 |
| 12 mm | 6 mm | 6 mm | 0.015 mm | 66 mg | 100 | D5026 |



Tin Boat D5032

Sample Encapsulation

| Product | Pack | Cat no |
|---|------|--------|
| Filter paper roll, 30 mm x 100 m, for paper flags | 1 | E2014 |
| Gelatin capsules, size 4 | 100 | E2021 |
| Gelatin capsules, 5.5 x 17 mm | 100 | E2141 |
| Gelatin capsules, 6 x 19 mm | 100 | E2142 |
| Cellulose capsules | 400 | D9004 |



Cellulose Capsules D9004



Organic standards from Elemental Microanalysis are traceable to the National Institute of Standards and Technology (N.I.S.T.) Maryland USA, and/or (where appropriate) other accredited certification organisations. These materials are suitable for use as working standards for elemental analysis and are supplied with batch Certificates of Analysis.

| Cat No | Standard | Pack | %C | %H | %N | %O | %S | %Cl% | %Br% | %I% | %F% | %P |
|--------|---|------|-------|------|-------|---------|-------|---------|---------|---------|---------|----|
| B2012 | 1,3-Dinitrobenzene § | 1g | 42.87 | 2.40 | 16.66 | 38.07 | | | | | | |
| B2103 | 1,3-Dinitrobenzene § | 5g | 42.87 | 2.40 | 16.66 | 38.07 | | | | | | |
| B2010 | 1-Chloro-2,4-dinitrobenzene § | 1g | 35.58 | 1.49 | 13.83 | 31.60 | | (17.50) | | | | |
| iB2044 | 2,5-(Bis(5-tert-butyl-2-benzo-oxazol-2-yl) thiophene (BBOT) | 1g | 72.52 | 6.09 | 6.51 | 7.43 | 7.44 | | | | | |
| B2046 | 2,5-(Bis(5-tert-butyl-2-benzo-oxazol-2-yl) thiophene (BBOT) | 5g | 72.52 | 6.09 | 6.51 | 7.43 | 7.44 | | | | | |
| B2021 | 2-Iodobenzoic Acid | 1g | 33.90 | 2.03 | | (12.90) | | | | (51.17) | | |
| B2034 | 3,5-Dinitrobenzoic Acid | 1g | 39.64 | 1.90 | 13.20 | 45.25 | | | | | | |
| B2118 | 3,5-Dinitrobenzoic Acid | 5g | 39.64 | 1.90 | 13.20 | 45.25 | | | | | | |
| B2008 | 4-Bromobenzoic Acid | 1g | 41.82 | 2.51 | | (15.92) | | | (39.75) | | | |
| B2143 | 4-Bromobenzoic Acid | 5g | 41.82 | 2.51 | | (15.92) | | | (39.75) | | | |
| B2009 | 4-Chlorobenzoic Acid | 1g | 53.70 | 3.22 | | 20.44 | | (22.64) | | | | |
| B2117 | 4-Chlorobenzoic Acid | 5g | 53.70 | 3.22 | | 20.44 | | (22.64) | | | | |
| B2013 | 4-Fluorobenzoic Acid | 1g | 60.01 | 3.59 | | (22.84) | | | | | (13.56) | |
| B2015 | 4-Nitroaniline § | 1g | 52.17 | 4.38 | 20.29 | 23.16 | | | | | | |
| B2020 | 8-Hydroxyquinoline | 1g | 74.47 | 4.86 | 9.65 | 11.02 | | | | | | |
| B2000 | Acetanilide | 1g | 71.09 | 6.71 | 10.36 | 11.84 | | | | | | |
| B2114 | Acetanilide | 5g | 71.09 | 6.71 | 10.36 | 11.84 | | | | | | |
| B2001 | Alanine | 1g | 40.44 | 7.92 | 15.92 | 35.92 | | | | | | |
| B2003 | Anthracene | 1g | 94.34 | 5.66 | | | | | | | | |
| B2042 | Aspartic Acid | 1g | 36.09 | 5.30 | 10.52 | 48.08 | | | | | | |
| B2002 | Atropine § | 1g | 70.56 | 8.01 | 4.84 | 16.59 | | | | | | |
| B2006 | Atropine § | 10g | 70.56 | 8.01 | 4.84 | 16.59 | | | | | | |
| B2004 | Benzoic Acid | 1g | 68.85 | 4.95 | | 26.20 | | | | | | |
| B2047 | Benzoic Acid | 5g | 68.85 | 4.95 | | 26.20 | | | | | | |
| B2007 | Benzylthiuronium Chloride § | 1g | 47.40 | 5.47 | 13.82 | | 15.82 | (17.49) | | | | |
| B2108 | Benzylthiuronium Chloride § | 5g | 47.40 | 5.47 | 13.82 | | 15.82 | (17.49) | | | | |
| B2030 | Caffeine | 1g | 49.48 | 5.19 | 28.85 | 16.48 | | | | | | |
| B2104 | Caffeine | 5g | 49.48 | 5.19 | 28.85 | 16.48 | | | | | | |
| B2250 | Calcium Carbonate | 50g | 12.00 | | | | | | | | | |
| B2300 | Coal Standard | 50g | | | | | 0.30 | | | | | |
| B2301 | Coal Standard | 50g | | | | | 0.50 | | | | | |
| B2302 | Coal Standard | 50g | | | | | 0.70 | | | | | |
| B2303 | Coal Standard | 50g | | | | | 0.85 | | | | | |
| B2304 | Coal Standard | 50g | | | | | 1.00 | | | | | |
| B2305 | Coal Standard | 50g | | | | | 1.50 | | | | | |
| B2306 | Coal Standard | 50g | | | | | 2.00 | | | | | |
| B2307 | Coal Standard | 50g | | | | | 2.50 | | | | | |
| B2308 | Coal Standard | 50g | | | | | 3.00 | | | | | |
| B2309 | Coal Standard | 50g | | | | | 3.50 | | | | | |
| B2310 | Coal Standard | 50g | | | | | 4.00 | | | | | |
| B2311 | Coal Standard | 50g | | | | | 5.00 | | | | | |
| B2312 | Coal Standard | 50g | | | | | 6.00 | | | | | |
| B2315 | Coke Standard | 50g | | | | | 0.70 | | | | | |
| B2316 | Coke Standard | 50g | | | | | 0.90 | | | | | |
| B2317 | Coke Standard | 50g | | | | | 0.50 | | | | | |
| B2005 | Cyclohexanone2,4dinitrophenylhydrazone (CYC) | 1g | 51.79 | 5.07 | 20.14 | 23.00 | | | | | | |
| B2035 | Cystine | 1g | 29.99 | 5.03 | 11.66 | 26.63 | 26.69 | | | | | |
| B2105 | Cystine | 5g | 29.99 | 5.03 | 11.66 | 26.63 | 26.69 | | | | | |
| B2011 | Dibenzyldisulphide | 1g | 68.25 | 5.73 | | | 26.02 | | | | | |
| B2039 | Diphenyl § | 1g | 93.46 | 6.54 | | | | | | | | |
| B2033 | Ethylenediaminetetra-acetic Acid (EDTA) | 1g | 41.09 | 5.52 | 9.59 | 43.79 | | | | | | |
| B2120 | Ethylenediaminetetra-acetic Acid (EDTA) | 25g | 41.09 | 5.52 | 9.59 | 43.79 | | | | | | |

Values in brackets are not certified values and are provided for information purposes only.

§ Denotes substance that is classified as a dangerous for shipping purposes. An additional charge for shipping may apply, please contact us for details.

| Cat No | Standard | Pack | %C | %H | %N | %O | %S | %Cl% | %Br% | %I% | %F% | %P |
|--------|---------------------------|-------|-------|-------|-------|--------|-------|---------|------|---------|-----|---------|
| B2336 | Extreme Pressure Oil | 118ml | | | | | 2.00 | | | | | |
| B2337 | Extreme Pressure Oil | 118ml | | | | | 3.00 | | | | | |
| B2338 | Extreme Pressure Oil | 118ml | | | | | 4.00 | | | | | |
| B2019 | Hexachlorobenzene § | 1g | 23.30 | | | | | (74.70) | | | | |
| B2330 | High Sulphur Residual Oil | 118ml | | | | | 30.00 | | | | | |
| B2331 | High Sulphur Residual Oil | 118ml | | | | | 20.00 | | | | | |
| B2332 | High Sulphur Residual Oil | 118ml | | | | | 10.00 | | | | | |
| B2333 | High Sulphur Residual Oil | 118ml | | | | | 6.00 | | | | | |
| B2334 | High Sulphur Residual Oil | 118ml | | | | | 5.00 | | | | | |
| B2040 | Imidazol § | 1g | 52.93 | 5.92 | 41.15 | | | | | | | |
| B2041 | Isatin | 1g | 65.30 | 3.43 | 9.52 | 21.75 | | | | | | |
| B2145 | Lubricant Standard | 2g | 72.36 | 11.44 | 0.90 | | 3.06 | | | | | |
| B2045 | Methionine | 1g | 40.25 | 7.43 | 9.39 | 21.44 | 21.49 | | | | | |
| B2014 | Naphthalene § | 1g | 93.71 | 6.29 | | | | | | | | |
| B2132 | Nicotinamide | 1g | 59.01 | 4.95 | 22.94 | 13.10 | | | | | | |
| B2016 | Phenacetin | 1g | 67.01 | 7.31 | 7.82 | 17.86 | | | | | | |
| B2113 | Phenanthrene Enriched | 1g | | | 0.50 | | 0.60 | | | | | |
| B2360 | Residual Oil Standard | 118ml | | | | | 0.10 | | | | | |
| B2361 | Residual Oil Standard | 118ml | | | | | 0.20 | | | | | |
| B2362 | Residual Oil Standard | 118ml | | | | | 0.30 | | | | | |
| B2363 | Residual Oil Standard | 118ml | | | | | 0.40 | | | | | |
| B2364 | Residual Oil Standard | 118ml | | | | | 0.50 | | | | | |
| B2365 | Residual Oil Standard | 118ml | | | | | 0.60 | | | | | |
| B2366 | Residual Oil Standard | 118ml | | | | | 0.70 | | | | | |
| B2367 | Residual Oil Standard | 118ml | | | | | 0.80 | | | | | |
| B2368 | Residual Oil Standard | 118ml | | | | | 0.90 | | | | | |
| B2369 | Residual Oil Standard | 118ml | | | | | 1.00 | | | | | |
| B2370 | Residual Oil Standard | 118ml | | | | | 1.50 | | | | | |
| B2371 | Residual Oil Standard | 118ml | | | | | 2.00 | | | | | |
| B2372 | Residual Oil Standard | 118ml | | | | | 2.50 | | | | | |
| B2373 | Residual Oil Standard | 118ml | | | | | 3.00 | | | | | |
| B2374 | Residual Oil Standard | 118ml | | | | | 3.50 | | | | | |
| B2375 | Residual Oil Standard | 118ml | | | | | 4.00 | | | | | |
| B2376 | Residual Oil Standard | 118ml | | | | | 4.50 | | | | | |
| B2031 | Stearic Acid | 1g | 76.00 | 12.75 | | 11.25 | | | | | | |
| B2102 | Stearic Acid | 5g | 76.00 | 12.75 | | 11.25 | | | | | | |
| B2032 | Sucrose | 1g | 42.10 | 6.48 | | 51.41 | | | | | | |
| B2121 | Sucrose | 25g | 42.10 | 6.48 | | 51.41 | | | | | | |
| B2037 | Sulphamethazine | 1g | 51.78 | 5.07 | 20.12 | 11.49 | 11.52 | | | | | |
| B2106 | Sulphamethazine | 5g | 51.78 | 5.07 | 20.12 | 11.49 | 11.52 | | | | | |
| B2017 | Sulphamic Acid § | 1g | | 3.11 | 14.43 | 49.44 | 33.02 | | | | | |
| B2036 | Sulphanilamide | 1g | 41.85 | 4.68 | 16.26 | 18.58 | 18.62 | | | | | |
| B2043 | Sulphanilic Acid | 1g | 41.61 | 4.07 | 8.09 | 27.71 | 18.51 | | | | | |
| B2147 | Sulphanilic Acid | 5g | 41.61 | 4.07 | 8.09 | 27.71 | 18.51 | | | | | |
| B2018 | Trifluoroacetanilide | 1g | 50.80 | 3.20 | 7.41 | (8.46) | | | | (30.13) | | |
| B2022 | Triphenylphosphine | 1g | 82.42 | 5.76 | | | | | | | | (11.81) |
| B2038 | Urea | 1g | 20.00 | 6.71 | 46.64 | 26.64 | | | | | | |

Values in brackets are not certified values and are provided for information purposes only.

§ Denotes substance that is classified as a dangerous for shipping purposes. An additional charge for shipping may apply, please contact us for details.

Values quoted for Natural Standards are indicative and may vary from batch to batch.

Natural Standards

| Cat No | Standard | Pack | %C | %H | %N | %O | %S | %Cl% | %Br% | %I% | %F% | %P |
|--------|--|------|-------|---------|-------|-------|-------|------|------|-----|-----|----|
| B2273 | Alfalfa | 30g | 45.77 | 5.42 | 3.37 | | 0.20 | | | | | |
| B2276 | Oatmeal | 30g | 47.76 | 5.72 | 2.09 | | 0.16 | | | | | |
| B2141 | Orchard Leaves | 20g | 44-52 | 5.7-6.5 | 2-2.8 | | | | | | | |
| B2277 | Barley | 30g | 46.68 | 5.57 | 1.50 | | 0.14 | | | | | |
| B2272 | Corn Gluten | 30g | 50.29 | 6.33 | 10.95 | | 0.96 | | | | | |
| B2270 | Corn Meal | 30g | 45.35 | 5.44 | 1.91 | | 0.15 | | | | | |
| B2154 | Protein (Casein) Standard | 30g | 47.02 | | 13.63 | | 0.86 | | | | | |
| B2278 | Rice Flour | 30g | 44.70 | 5.88 | 1.36 | | 0.12 | | | | | |
| B2275 | Rye Flour | 30g | 44.25 | 5.78 | 1.86 | | 0.17 | | | | | |
| B2150 | Sediment Standard (High Organic Content) | 30g | 6.72 | | 0.50 | | 0.92 | | | | | |
| B2152 | Soil Standard (Low Organic Content) | 30g | 1.65 | | 0.14 | | 0.031 | | | | | |
| B2158 | Sorghum Flour Standard | 30g | 41.58 | | 1.46 | | 0.105 | | | | | |
| B2271 | Soy Bean Meal | 30g | 45.18 | 5.69 | 7.98 | | 0.37 | | | | | |
| B2156 | Wheat Flour Standard | 30g | 39.53 | | 1.47 | | 0.098 | | | | | |
| B2160 | Chitin | 30g | 45.07 | 6.71 | 6.88 | 37.27 | | | | | | |
| B2162 | Algae (Spirulina) | 30g | 46.60 | 6.90 | 10.34 | | 0.92 | | | | | |
| B2164 | Algae (Bladderwrack) | 30g | 33.86 | 4.87 | 1.27 | | 2.31 | | | | | |
| B2166 | Birch Leaf | 30g | 48.33 | 6.36 | 2.09 | | 0.16 | | | | | |
| B2168 | Coconut Shell Powder | 30g | 48.11 | 6.14 | 0.12 | | | | | | | |
| B2170 | Olive Stone Powder | 30g | 47.46 | 6.26 | 0.18 | | | | | | | |

Combustion Catalysts and Reagents

| Product | Pack | Cat no |
|--|------|--------|
| Aluminium Oxide (Alumina), granular, 0.2 - 0.5 mm, isotope grade | 10g | B1129 |
| Aluminium Oxide (Alumina), granular, 0.2 - 0.85 mm | 25g | B1128 |
| Aluminium Oxide (Alumina), granular, 0.85 - 1.7 mm | 50g | B1127 |
| Aluminium Oxide (Alumina), granular, 1.7 - 3.35 mm, replaces B1060 | 100g | B1126 |
| Aluminium Oxide (Alumina), hollow spheres, 2 - 4 mm | 40g | B1090 |
| Aluminium Oxide (Alumina) pellets | 200g | B1163 |
| Cerium Oxide, granular, 0.85 - 1.7 mm | 25g | B1028 |
| Cerium Oxide, granular, 0.85 - 1.7 mm | 100g | B1219 |
| Chromium Oxide, granular, 0.85 - 1.7 mm | 25g | B1004 |
| Chromium Oxide, granular, 0.85 - 1.7 mm | 50g | B1179 |
| Chromium Oxide, granular, 0.85 - 1.7 mm | 100g | B1099 |
| Chromium Oxide, granular | 500g | B1200 |
| Chromium Oxide on Alumina, granular, 0.85 - 1.7 mm | 50g | B1131 |
| Chromium Oxide on Alumina, granular, 0.85 - 1.7 mm | 100g | B1132 |
| Cobaltous/ic Oxide, granular | 25g | B1001 |
| Cobaltous/ic Oxide, granular | 100g | B1121 |
| Cobaltous/ic Oxide Silvered, granular | 500g | B1201 |
| Combustion catalyst, NA2000, mixed catalyst | 40g | B1103 |
| Copper Oxide, coarse wires, 0.65 x 6mm | 100g | B1219 |
| Copper Oxide, fine wires, 0.5 x 4mm | 50g | B1002 |
| Copper Oxide, fine wires, 0.5 x 4 mm | 100g | B1125 |
| Copper Oxide, fine wires, 0.5 x 4mm | 250g | B1122 |
| Copper Oxide, fine wires, isotope grade, 0.5 x 4 mm | 50g | B1080 |
| Copper Oxide, granular, 0.1 - 0.5 mm | 50g | B1003 |
| Copper Oxide, granular, 0.1 - 0.5 mm | 500g | B1160 |
| Copper Oxide, isotope grade, granular, 0.1 - 0.5 mm | 50g | B1051 |
| Nickel Oxide, granular, 0.2 - 0.5 mm, isotope grade | 25g | B1130 |
| Nickel Oxide, granular, 0.85 - 1.7 mm | 25g | B1034 |
| Nickel Oxide/Chromium Oxide, granular, 0.85 - 1.7 mm | 25g | B1033 |
| Nickel Oxide/Chromium Oxide, granular, 0.85 - 1.7 mm | 100g | B1146 |
| Platinised Alumina, 10% Pt, granular, 0.2 - 0.5 mm | 2g | B1096 |
| Platinised Alumina, 20% Pt, granular, 0.2 - 0.5 mm | 2g | B1097 |
| Platinised Alumina, 1% Pt, granular, 0.85 - 1.2 mm | 50g | B1139 |
| Platinised Alumina pellets, 0.5% Pt, 'nitrogen catalyst' | 50g | B1061 |
| Platinised Copper Oxide, 10% Pt, granular, 0.2 - 0.5 mm | 2g | B1030 |
| Platinised Copper Oxide, 20% Pt, granular, 0.2 - 0.5 mm | 2g | B1050 |
| Rare Earth Copper Oxide, granular, 0.85 - 1.7 mm | 50g | B1123 |
| Silver Tungstate/Magnesium Oxide, granular, 0.85 - 1.7 mm | 25g | B1038 |
| Silver Tungstate/Magnesium Oxide, granular, 0.85 - 1.7 mm | 100g | B1036 |
| Silver Tungstate/Magnesium Oxide on Chromosorb A, granular | 25g | B1058 |
| Silver Tungstate/Magnesium Oxide on Chromosorb A, granular | 100g | B1402 |
| Silvered Cobaltous/ic Oxide, granular, 0.85 - 1.7 mm | 25g | B1000 |
| Silvered Cobaltous/ic Oxide, granular, 0.85 - 1.7 mm | 100g | B1120 |
| Silvered Copper Oxide, fine wires, 0.5 x 4 mm | 50g | B1070 |
| Silvered Copper Oxide, granular, 0.1 - 0.5 mm | 50g | B1071 |
| Tungstic Oxide, granular, 0.85 - 1.7 mm | 25g | B1025 |
| Tungstic Oxide, granular, 0.85 - 1.7 mm | 100g | B1152 |
| Tungstic Oxide on Alumina, granular, 0.85 - 1.7 mm | 25g | B1031 |
| Tungstic Oxide on Alumina, granular, 0.85 - 1.7 mm | 100g | B1133 |
| Tungstic Oxide/Zirconium Oxide, granular, 0.85 - 1.7 mm | 50g | B1082 |

High purity materials tested for quality and performance. Reagents are volume stable at elevated temperatures and are virtually free from dusting and caking. These products can be manufactured in other mesh sizes as required to suit your application.

§ Denotes hazardous material.

Tungstic Oxide, Granular
B1025



Silver Tungstate on Magnesium Oxide
B1036



Copper Oxide Wires
B1122



Alumina Granular
B1126



Rare Earth Copper Oxide, Granular
B1123



Chromium Oxide Granular
B1179



Cobaltous/ic Oxide
B1001

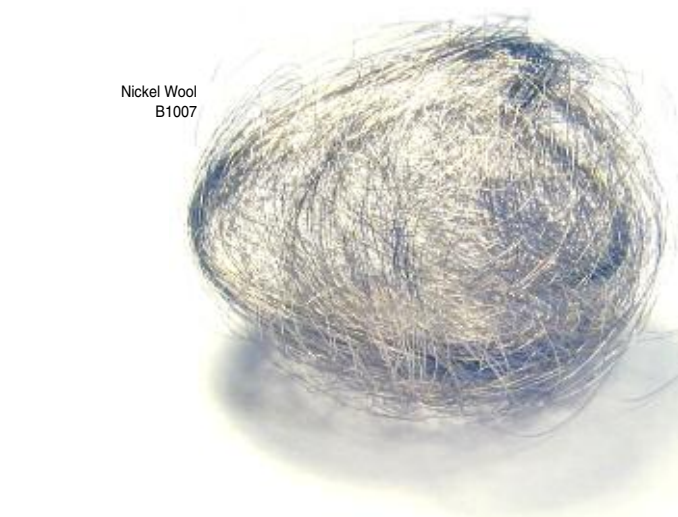
Platinum Catalysts

| Product | Pack | Cat no |
|--|------|--------|
| Platinised Alumina, 10% Pt, granular, 0.2 - 0.5 mm | 2g | B1096 |
| Platinised Alumina, 20% Pt, granular, 0.2 - 0.5 mm | 2g | B1097 |
| Platinised Alumina, 1% Pt, granular, 0.85 - 1.2 mm | 50g | B1139 |
| Platinised Alumina pellets, 0.5% Pt, 'nitrogen catalyst' | 50g | B1061 |
| Platinised Carbon, granular, 10% Pt, 0.2 - 0.85 mm | 5g | B1005 |
| Platinised Carbon, granular, 10% Pt, 0.85 - 1.7 mm | 5g | B1134 |
| Platinised Carbon, granular, 20% Pt, 0.2 - 0.85 mm | 5g | B1095 |
| Platinised Carbon, granular, 20% Pt, 0.85 - 1.7 mm | 5g | B1135 |
| Platinised Copper Oxide, 10% Pt, granular, 0.2 - 0.5 mm | 2g | B1030 |
| Platinised Copper Oxide, 20% Pt, granular, 0.2 - 0.5 mm | 2g | B1050 |
| Platinum gauze strip, 12 x 150 mm | 1 | D7006 |
| Platinum gauze catalyst strip, 20 x 200 mm, 325 mg | 1 | D7014 |
| Platinum wire | 1m | D9100 |

Platinised
Copper Oxide
B1030

Nickel Catalysts

| Product | Pack | Cat no |
|--|------|--------|
| Nickel wool, fine wire | 2g | B1007 |
| Nickelised Carbon, 10% Ni, granular, 0.3 - 0.85 mm | 5g | B1085 |
| Nickelised Carbon, 20% Ni, granular, 0.3 - 0.85 mm | 5g | B1006 |
| Nickelised Carbon, 30% Ni, granular, 0.3 - 0.85 mm | 5g | B1086 |
| Nickelised Carbon, 40% Ni, granular, 0.3 - 0.85 mm | 5g | B1087 |
| Nickelised Carbon, 50% Ni, granular, 0.3 - 0.85 mm | 5g | B1181 |
| Nickelised Carbon, 10% Ni, granular, 0.85 - 1.7 mm | 5g | B1104 |
| Nickelised Carbon, 20% Ni, granular, 0.85 - 1.7 mm | 5g | B1105 |
| Nickelised Carbon, 30% Ni, granular, 0.85 - 1.7 mm | 5g | B1088 |
| Nickelised Carbon, 40% Ni, granular, 0.85 - 1.7 mm | 5g | B1106 |
| Nickelised Carbon, 50% Ni, granular, 0.85 - 1.7 mm | 5g | B1182 |
| Nickel Carbon wool | 5g | B1242 |

Platinised Alumina
B1139Nickel Carbon Wool
B1242Nickelised
Carbon
B1181Nickel Wool
B1007Platinised Alumina Pellets
B1061

Copper Reduction Reagents

| Product | Pack | Cat no |
|---|------|--------|
| Copper granules, 0.1 - 0.5 mm | 100g | B1013 |
| Copper granules, 0.1 - 0.5 mm, pound pack | 454g | B1084 |
| Copper granules, 0.1 - 0.5 mm | 500g | B1175 |
| Copper granules, fine, 0.05 - 0.2 mm | 100g | B1108 |
| Copper granules, 0.3 - 0.85 mm | 100g | B1137 |
| Copper granules, 0.3 - 0.85 mm, pound pack | 454g | B1138 |
| Copper granules, silvered, 0.1 - 0.5 mm | 100g | B1011 |
| Copper granules, silvered, 0.1 - 0.5 mm, 5 x 10g ampoules | 50g | B1012 |
| Copper turnings, fine long strands | 100g | B1062 |
| Copper turnings, fine long strands | 200g | B1107 |
| Copper turnings, extra fine long strands | 100g | B1136 |
| Copper wires, coarse, 0.65 x 6 mm | 50g | B1046 |
| Copper wires, coarse, 0.65 x 6 mm | 100g | B1016 |
| Copper wires, coarse, 0.65 x 6 mm, 3 x 100g | 300g | B1213 |
| Copper wires, coarse, 0.65 x 6 mm | 454g | B1199 |
| Copper wires, coarse, 0.65 x 6mm, highest purity for CHNS | 40g | B1040 |
| Copper wires, fine, 0.5 x 4 mm | 100g | B1015 |
| Copper wires, fine, 0.5 x 4 mm, 3 x 100g | 300g | B1091 |
| Copper wires, fine, 0.5 x 4 mm, pound pack | 454g | B1083 |
| Copper wires, fine, 0.5 x 4 mm | 500g | B1176 |
| Copper wires, fine, 0.5 x 4 mm, highest purity, for CHNS | 40g | B1035 |
| Copper wires, fine, 0.5 x 4 mm, highest purity, for CHNS | 100g | B1177 |
| Copper wires, fine, 0.5 x 4 mm, highest purity, for CHNS | 454g | B1178 |

Our copper reagents are hermetically sealed in ampoules to ensure high quality and a long shelf life. Elemental Microanalysis copper reagents have a very high oxygen capacity and are thermally treated to prevent expansion when converted to CuO.

The high purity prevents tailing caused by absorption and desorption of gases caused by impurities in the copper (especially important in the analysis of sulphur). Carbon content (organic contaminants such as oil) is zero.

Copper Wires, Coarse
B1016



Reagents for Isotope Analysis

| Product | Pack | Cat no |
|--|------------|--------|
| Carbon, high purity, granular, 0.2 - 0.5 mm | 1g | B1065 |
| Chrome catalyst | 100g | B1450 |
| Copper Oxide, fine wires, isotope grade, 0.5 x 4 mm | 50g | B1080 |
| Copper Oxide, isotope grade, granular, 0.1 - 0.5 mm | 50g | B1051 |
| Copper wire, 0.1 mm | 12 x 300mm | B1156 |
| Nickel Oxide, granular, 0.2 - 0.5 mm, isotope grade | 25g | B1130 |
| Platinised Copper Oxide, 10% Pt, granular, isotope grade, 0.2 - 0.5 mm | 2g | B1030 |
| Platinised Copper Oxide, 20% Pt, granular, isotope grade, 0.2 - 0.5 mm | 2g | B1050 |
| Platinised Alumina, 10% Pt, granular, isotope grade, 0.2 - 0.5 mm | 2g | B1096 |
| Platinised Alumina, 20% Pt, granular, isotope grade, 0.2 - 0.5 mm | 2g | B1097 |
| Platinised Carbon, 10% Pt, granular, isotope grade, 0.2 - 0.85 mm | 5g | B1005 |
| Platinised Carbon, 20% Pt, granular, isotope grade, 0.2 - 0.85 mm | 5g | B1095 |
| 1% Platinum/1% Nickel Oxide on copper oxide granules, 0.2 - 0.5 mm | 5g | B1158 |
| 3% Platinum/1% Nickel Oxide on copper oxide granules, 0.2 - 0.5 mm | 5g | B1159 |
| 1% Platinum/1% Nickel Oxide on copper oxide wires, isotope catalyst | 5g | B1149 |
| 3% Platinum/1% Nickel Oxide on copper oxide wires, isotope catalyst | 5g | B1151 |
| Quartz (silica) chips, turnings, isotope grade, 0.2 - 0.5 mm | 50g | B1027 |
| Silvered Copper Oxide, fine wires, isotope grade, 0.5 x 4 mm | 50g | B1070 |
| Silvered Copper Oxide, granular, isotope grade, 0.1 - 0.5 mm | 50g | B1071 |

The Elemental Microanalysis range is suitable for use in isotope analysers. However, due to the demanding nature of isotope work we have developed a range of products with a higher specification especially for isotope analysis.

Silica (Quartz) Chips
B1027



Copper Turnings B1136



Copper Granules
B1084



Copper Wires, Fine
B1015

Copper Wires, Coarse
B1016



Nickel Oxide Granular
B1130



Copper Oxide Wires, Silvered
B1070

Interference Removal Reagents

| Product | Pack | Cat no |
|---|------|--------|
| Copper granules, silvered, 0.1 - 0.5 mm | 100g | B1011 |
| Copper granules, silvered, 0.1 - 0.5 mm, 5 x 10g ampoules | 50g | B1012 |
| Iron chips | 100g | B1063 |
| Iron wool, very fine | 25g | B1157 |
| Lead(II) Chromate, granular, 0.85 - 1.7 mm § | 50g | B1029 |
| Lead(II) Chromate, granular, 0.85 - 1.7 mm § | 250g | B1207 |
| Manganese Dioxide | 10g | B1204 |
| Silver gauze, (welded in 4 places) 610mm x 76mm | 1 | B1026 |
| Silver gauze fine, 60 mesh (linear inch), 150 x 150 mm | 1 | B1023 |
| Silver gauze, fine, 60 mesh, 12.5 x 150 mm | 1 | B1037 |
| Silver Oxide/Silver Tungstate on Chromosorb P, 30 - 60 mesh | 25g | B1055 |
| Silver Tungstate/Magnesium Oxide, granular, 0.85 - 1.7 mm | 100g | B1036 |
| Silver Vanadate reagent, granular, 0.85 - 1.7 mm | 10g | B1009 |
| Silver Vanadate reagent, granular, 0.85 - 1.7 mm | 100g | B1142 |
| Silver Vanadate reagent on Chromosorb A, granular | 10g | B1059 |
| Silver wool, very fine wire, reeled | 10g | B1010 |
| Silver wool, very fine wire, unreeled | 10g | B1119 |
| Silver wool, 0.05mm fine wire, unreeled | 50g | B1231 |
| Silvered Cobaltous/ic Oxide, granular, 0.85 - 1.7 mm | 25g | B1000 |
| Universal fluorine reagent | 25g | B1112 |
| Universal fluorine reagent | 100g | B1113 |

Copper Granules,
Silvered B1011

Lead Chromate B1029

Silver Tungstate/Magnesium Oxide
B1036Silver Oxide/Silver Tungstate
on Chromosorb P
B1055Silver Vanadate on
Chromosorb A
B1059

Iron Chips B1063

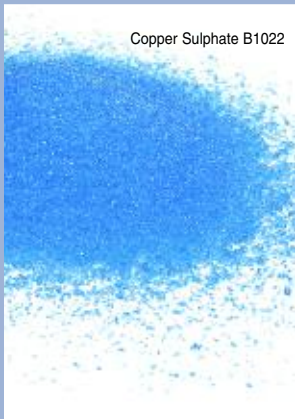
Manganese Dioxide
B1204

Pyrolysis Catalysts and Reagents

| Product | Pack | Cat no |
|--|------|--------|
| Carbon, high purity, granular, 0.3 - 0.85 mm | 5g | B1043 |
| Carbon, high purity, granular, 0.2 - 0.5 mm | 1g | B1065 |
| Carbon, high purity, granular, 0.85 - 1.7 mm | 5g | B1111 |
| Chrome catalyst | 100g | B1450 |
| Nickel wool, fine wire | 2g | B1007 |
| Nickel Carbon wool | 5g | B1242 |
| Nickelised Carbon, 10% Ni, granular, 0.3 - 0.85 mm | 5g | B1085 |
| Nickelised Carbon, 20% Ni, granular, 0.3 - 0.85 mm | 5g | B1006 |
| Nickelised Carbon, 30% Ni, granular, 0.3 - 0.85 mm | 5g | B1086 |
| Nickelised Carbon, 40% Ni, granular, 0.3 - 0.85 mm | 5g | B1087 |
| Nickelised Carbon, 50% Ni, granular, 0.3 - 0.85 mm | 5g | B1181 |
| Nickelised Carbon, 10% Ni, granular, 0.85 - 1.7 mm | 5g | B1104 |
| Nickelised Carbon, 20% Ni, granular, 0.85 - 1.7 mm | 5g | B1105 |
| Nickelised Carbon, 30% Ni, granular, 0.85 - 1.7 mm | 5g | B1088 |
| Nickelised Carbon, 40% Ni, granular, 0.85 - 1.7 mm | 5g | B1106 |
| Nickelised Carbon, 50% Ni, granular, 0.85 - 1.7 mm | 5g | B1182 |
| Platinised Carbon, granular, 10% Pt, isotope grade, 0.2 - 0.85 mm | 5g | B1005 |
| Platinised Carbon, granular, 20% Pt, isotope grade, 0.2 - 0.85 mm | 5g | B1095 |
| Platinum gauze catalyst strip, 12 x 150 mm, 260 mg | 1 | D7006 |
| Platinum gauze catalyst strip, 20 x 200 mm, 325 mg | 1 | D7014 |
| Quartz (silica) chips, turnings, 0.2 - 0.5 mm | 50g | B1027 |
| Quartz (silica) chips, turnings, 0.85 - 1.7 mm | 50g | B1008 |
| Quartz (silica) chips, turnings, 1 - 2 mm | 100g | B1214 |
| Quartz (silica) chips, turnings, 2 - 3 mm | 250g | B1109 |
| Quartz (silica) chips, turnings, 2 - 4 mm | 50g | B1215 |
| Quartz (silica) chips, turnings, 2 - 4 mm | 250g | B1110 |

Copper Granules,
Silvered B1012Nickelised Carbon
B1106Nickel Carbon Wool
B1242

Copper Sulphate B1022



Lead Oxide B1039



Silver Oxide/Silver Tungstate on Chromosorb B1055



Vanadium Pentoxide B4001



Magnesium Oxide B4012



Miscellaneous Materials

| Product | Pack | Cat no |
|--|------|--------|
| Absorbent discs, 3.5 mm | 100 | E2105 |
| Quartz wool discs, 15 mm | 25 | B1250 |
| Quartz wool discs, 16.5 mm | 25 | B1251 |
| Quartz wool discs, 22 mm | 25 | B1252 |
| Aluminium Oxide wool, fine | 20g | B1089 |
| Cotton wool, pure | 100g | B1045 |
| Glass wool, fine | 50g | B1056 |
| Glass wool, fine | 227g | B1167 |
| Glass wool, fine | 454g | B1166 |
| Glass wool, fine | 500g | B1124 |
| Nickel sheet lining, 0.15 x 130 x 130 mm | 1 | B1024 |
| Nickel sheet lining, 0.15 x 130 x 260 mm | 1 | B1048 |
| Nickel wool, fine wire | 2g | B1007 |
| Platinum sheet, 0.05 x 50 x 50 mm | 1 | D7012 |
| Platinum sheet, 0.1 x 50 x 50 mm | 1 | D7013 |
| Platinum wire | 1m | D9100 |
| Quartz (silica) chips, turnings, 0.2 - 0.5 mm | 50g | B1027 |
| Quartz (silica) chips, turnings, 0.85 - 1.7 mm | 50g | B1008 |
| Quartz (silica) chips, turnings, 1 - 2 mm | 100g | B1214 |
| Quartz (silica) chips, turnings, 2 - 3 mm | 250g | B1109 |
| Quartz (silica) chips, turnings, 2 - 4 mm | 50g | B1215 |
| Quartz (silica) chips, turnings, 2 - 4 mm | 250g | B1110 |
| Quartz (silica) wool, very pure, very fine | 5g | B1017 |
| Quartz (silica) wool, very pure, very fine | 10g | B1208 |
| Quartz (silica) wool, very pure, very fine | 50g | B1102 |
| Zirconium Oxide (zirconia) cloth, 70 x 609 mm | 1 | E2051 |

Quartz (Silica) Chips B1110



Absorbent Discs E2105



Combustion Aids

| Product | Pack | Cat no |
|---|------|--------|
| Carbon, high purity, powder | 5g | B4009 |
| Carbon, high purity, powder | 15g | B4008 |
| Cobalt Oxide, additive, fine powder | 10g | B4005 |
| Copper Oxide, additive, fine powder | 10g | B4003 |
| Lead Oxide, red, additive, fine powder § | 1g | B1039 |
| Magnesium Oxide, fine powder | 10g | B4012 |
| Silver Oxide, additive, fine powder | 1g | B4006 |
| Silver Oxide/Silver Tungstate on Chromosorb P, 30 - 60 mesh | 25g | B1055 |
| Sucrose sample additive | 50g | B4011 |
| Tin, additive, fine powder | 10g | B4002 |
| Tungstic Oxide, additive, fine powder | 10g | B4000 |
| Tungstic Oxide, additive, fine powder | 25g | B4013 |
| Tungstic Oxide, additive, fine powder | 90g | B4014 |
| Universal combustion additive, fine powder | 1g | B4007 |
| Vanadium Pentoxide, additive, fine powder § | 1g | B4010 |
| Vanadium Pentoxide, additive, fine powder § | 10g | B4001 |

Gas Doping Reagents

| Product | Pack | Cat no |
|--|------|--------|
| Chloropentane, halogen doping § | 10ml | B4004 |
| Copper Sulphate, granular, suitable for water doping | 50g | B1022 |
| Copper Sulphate, granular, suitable for water doping | 250g | B1114 |

Nickel Wool B1007



Column Packings

| Product | Pack | Cat no |
|------------------------------------|------|--------|
| Molecular sieve 5A, 50 - 80 mesh | 100g | B3004 |
| Molecular sieve 5A, 80 - 100 mesh | 100g | B3000 |
| Molecular sieve 5A, 100 - 120 mesh | 100g | B3005 |
| Porapak QS, 50 - 80 mesh | 75ml | B3002 |
| Porapak QS, 80 - 100 mesh | 75ml | B3001 |
| Porapak QS, 100 - 120 mesh | 75ml | B3003 |

Molecular Sieve B1047

Chromosorb W
B3016

Absorbent Materials

| Product | Pack | Cat no |
|---|------|--------|
| Absorbent discs, 3.5 mm | 100 | E2105 |
| Chromosorb P, acid washed, 30 - 60 mesh | 10g | B3010 |
| Chromosorb P, acid washed, 45 - 60 mesh | 10g | B3011 |
| Chromosorb P, acid washed, 60 - 80 mesh | 10g | B3012 |
| Chromosorb P, acid washed, 80 - 100 mesh | 10g | B3013 |
| Chromosorb P, acid washed, 100 - 120 mesh | 10g | B3014 |
| Chromosorb W, acid washed, 30 - 60 mesh | 10g | B3015 |
| Chromosorb W, acid washed, 30 - 60 mesh | 25g | B3017 |
| Chromosorb W, acid washed, 30 - 60 mesh | 100g | B3018 |
| Chromosorb W, acid washed, 80 - 100 mesh | 10g | B3016 |

Magnesium
Perchlorate
B1101

Scrubbing & Purification Reagents

| Product | Pack | Cat no |
|--|------|--------|
| Carbosorb, granular, 0.7 - 1.2 mm, CO2 absorbent, (14 - 22 mesh) § | 25g | B1018 |
| Carbosorb, granular, 0.7 - 1.2 mm, CO2 absorbent, (14 - 22 mesh) § | 100g | B1236 |
| Carbosorb, granular, 0.7 - 1.2 mm, CO2 absorbent, (14 - 22 mesh) § | 200g | B1100 |
| Carbosorb, granular, 0.8 - 1.4 mm, CO2 absorbent, (12 - 20 mesh) § | 25g | B1042 |
| Carbosorb, granular, 0.8 - 1.4 mm, CO2 absorbent, (12 - 20 mesh) § | 200g | B1168 |
| Carbosorb, granular, 1.4 - 2.8 mm, CO2 absorbent, (6 - 12 mesh) § | 25g | B1041 |
| Carbosorb, granular, 1.4 - 2.8 mm, CO2 absorbent, (6 - 12 mesh) § | 100g | B1237 |
| Carbosorb, granular, 1.4 - 2.8 mm, CO2 absorbent, (6 - 12 mesh) § | 200g | B1180 |
| EMADrone, granular, 14 - 25 mesh, H2O absorbent § | 454g | B1161 |
| EMAsorb A, granular, 0.8 - 1.6 mm, CO2 absorbent § | 25g | B1116 |
| EMAsorb A, granular, 0.8 - 1.6 mm, CO2 absorbent § | 200g | B1115 |
| EMAsorb A, granular, 0.8 - 1.6 mm, CO2 absorbent § | 500g | B1162 |
| EMAsorb B, granular, 1.6 - 3 mm, CO2 absorbent § | 25g | B1118 |
| EMAsorb B, granular, 1.6 - 3 mm, CO2 absorbent § | 200g | B1117 |
| EMAsorb B, granular, 1.6 - 3 mm, CO2 absorbent § | 454g | B1164 |
| Magnesium Perchlorate, granular, H2O absorbent § | 25g | B1019 |
| Magnesium Perchlorate, granular, H2O absorbent § | 100g | B1101 |
| Magnesium Perchlorate, granular, H2O absorbent § | 500g | B1081 |
| Magnesium Perchlorate, granular, H2O absorbent, self indicating § | 25g | B1140 |
| Magnesium Perchlorate, granular, H2O absorbent, self indicating § | 100g | B1141 |
| Molecular sieve 3A, pellets | 25g | B1021 |
| Molecular sieve 3A, pellets | 100g | B1047 |
| Molecular sieve 3A, pellets | 250g | B1143 |
| Molecular sieve 4A, pellets | 25g | B1020 |
| Sicapent | 2.8l | B1197 |
| Silica gel, drying agent, indicating, 0.78 - 2.8 mm | 100g | B1044 |
| Silica gel | 1kg | B1066 |
| Soda lime, granular, CO2 absorbent § | 100g | B1211 |
| Soda lime, granular, CO2 absorbent § | 200g | B1189 |
| Soda lime, granular, CO2 absorbent § | 800g | B1092 |

Soda Lime Granular B1189



EMADrone B1161



§ Denotes Hazardous substance

CE/Thermo Finnigan 1108/1110/1500(2)/2500

| Description | Pack | OEM | Cat no. |
|--|------|----------|---------|
| Water Scrubber Tube, threaded | 1 | 23101008 | C1008 |
| CO ₂ Scrubber Tube, threaded | 1 | 28113090 | C1014 |
| Water/CO ₂ Scrubber Tube | 1 | 28113060 | E2040 |
| Crucible for C1072 & C1078, pack of 5 | 1 | | C1016 |
| Reaction/Reduction Tube, transparent | 1 | 46820020 | C1022 |
| Reaction/Reduction Tube, translucent | 1 | 46820000 | C1023 |
| Reaction/Reduction Tube, transparent | 1 | | C1024 |
| Reaction/Reduction Tube, translucent | 1 | | C1025 |
| Crucible for C1023, C1025 pack of 5 | 1 | | C1016 |
| Sleeve Insert 235mm (closed one end) | 1 | | C1051 |
| Sleeve Insert 220mm (closed one end) | 1 | | C1052 |
| Removable Crucible, for use with C1022 & C1024, pack of 5 | 1 | | C1053 |
| Reaction Tube, modified, translucent/transparent | 1 | | C1055 |
| Reaction Tube, modified, transparent | 1 | | C1056 |
| Reaction Tube, low volume | 1 | | C1057 |

| Description | Pack | OEM | Cat no. |
|---|------|----------|---------|
| Reaction Tube, transparent, for sulphur (utilising E2171 Teflon kit) | 1 | | C1060 |
| Reaction Tube Quick 'n' Easy system | 1 | | C1066 |
| Filter Tube Straight Quick 'n' Easy System | 1 | | C1068 |
| Reaction Tube Quick 'n' Easy system (Heavy Wall) | 1 | | C1072 |
| Reaction Tube (Heavy Wall) | 1 | 46820001 | C1078 |
| Sleeve Insert 205mm (open both ends) | 1 | | C1090 |
| Sleeve Insert 205mm (closed one end) | 1 | | C1091 |
| Sleeve Insert 235mm (open both ends) | 1 | | C1093 |
| Sleeve Insert 220mm (open both ends) | 1 | | C1096 |
| Filter Tube Quick 'n' Easy 11 to 11mm | 1 | | C4004 |
| Filter Tube Quick 'n' Easy 11 to 22mm | 1 | | C4037 |
| Stainless Steel Reaction Tube | 1 | 46820050 | E2159 |
| Metal Crucible | 1 | 25205000 | D6005 |

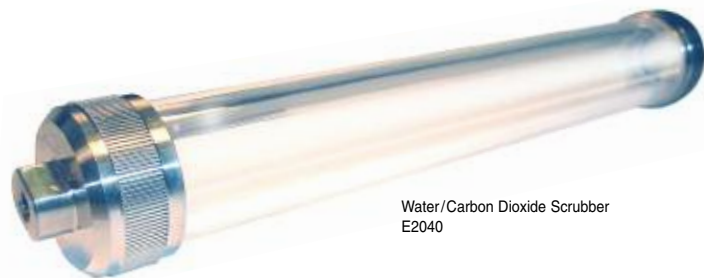
Metal Swarf Crucible
D6005



Swarf Crucibles
C1016



C1023 E2159 C1072 C1066 C1025 C1055 C1056 C1024 C1057 C1078 C1060 C1022



Water/Carbon Dioxide Scrubber
E2040

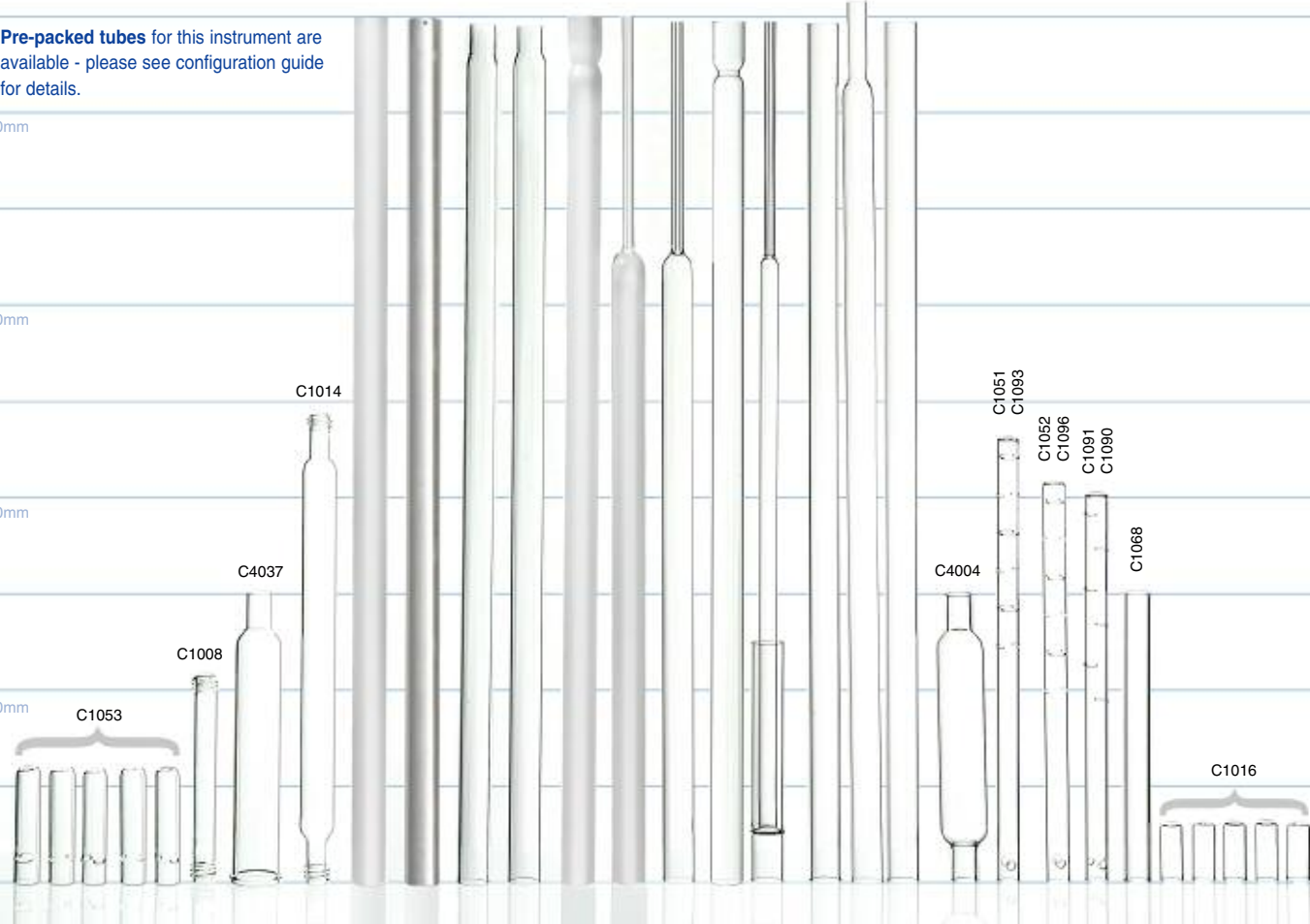
Pre-packed tubes for this instrument are available - please see configuration guide for details.

400mm

300mm

200mm

100mm



C1014

C4037

C1008

C1053

C4004

C1051
C1093

C1052
C1096

C1091
C1090

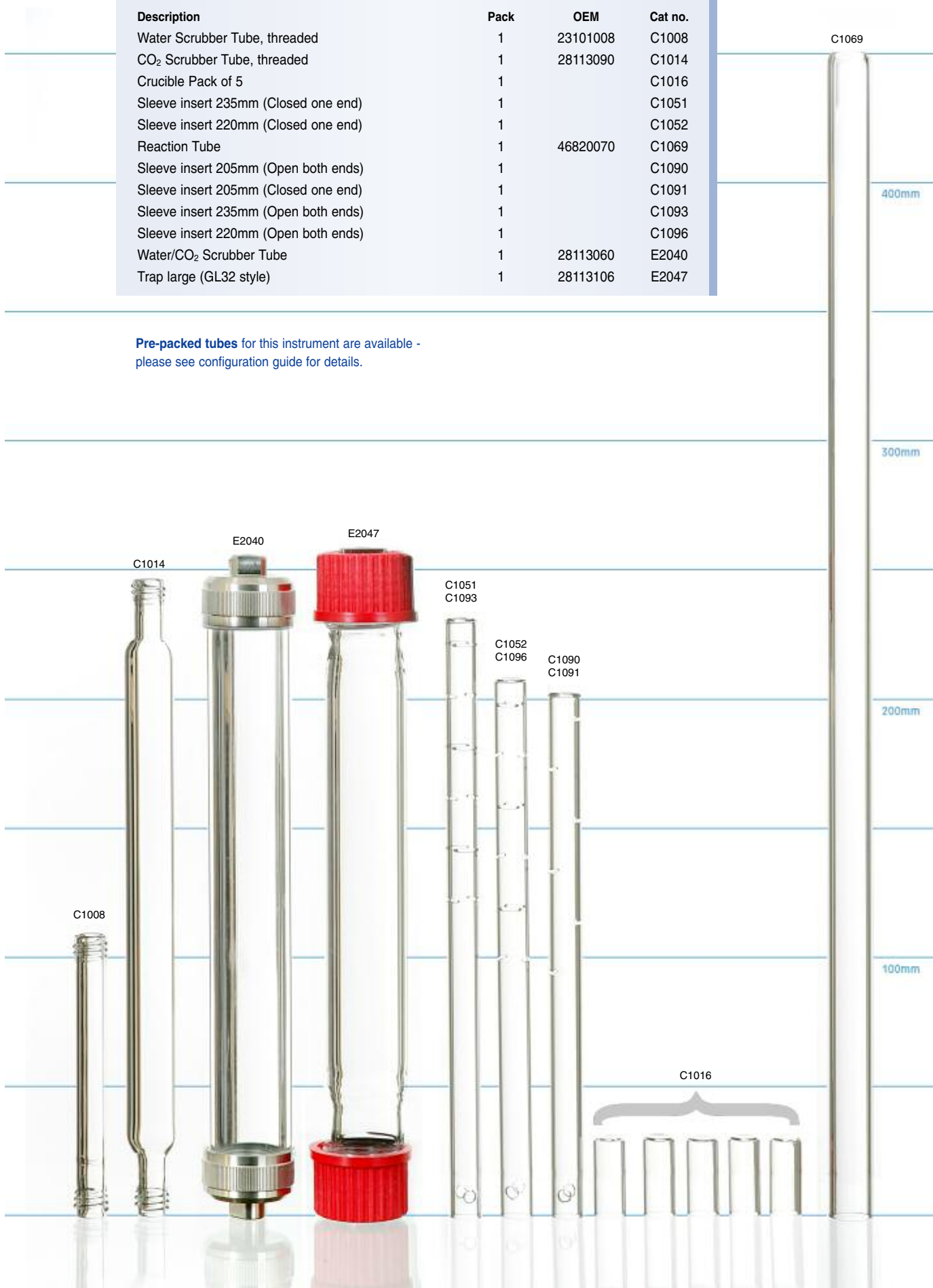
C1068

C1016

Carlo Erba/ThermoFinnigan Flash EA™ 1112

| Description | Pack | OEM | Cat no. |
|---|------|----------|---------|
| Water Scrubber Tube, threaded | 1 | 23101008 | C1008 |
| CO ₂ Scrubber Tube, threaded | 1 | 28113090 | C1014 |
| Crucible Pack of 5 | 1 | | C1016 |
| Sleeve insert 235mm (Closed one end) | 1 | | C1051 |
| Sleeve insert 220mm (Closed one end) | 1 | | C1052 |
| Reaction Tube | 1 | 46820070 | C1069 |
| Sleeve insert 205mm (Open both ends) | 1 | | C1090 |
| Sleeve insert 205mm (Closed one end) | 1 | | C1091 |
| Sleeve insert 235mm (Open both ends) | 1 | | C1093 |
| Sleeve insert 220mm (Open both ends) | 1 | | C1096 |
| Water/CO ₂ Scrubber Tube | 1 | 28113060 | E2040 |
| Trap large (GL32 style) | 1 | 28113106 | E2047 |

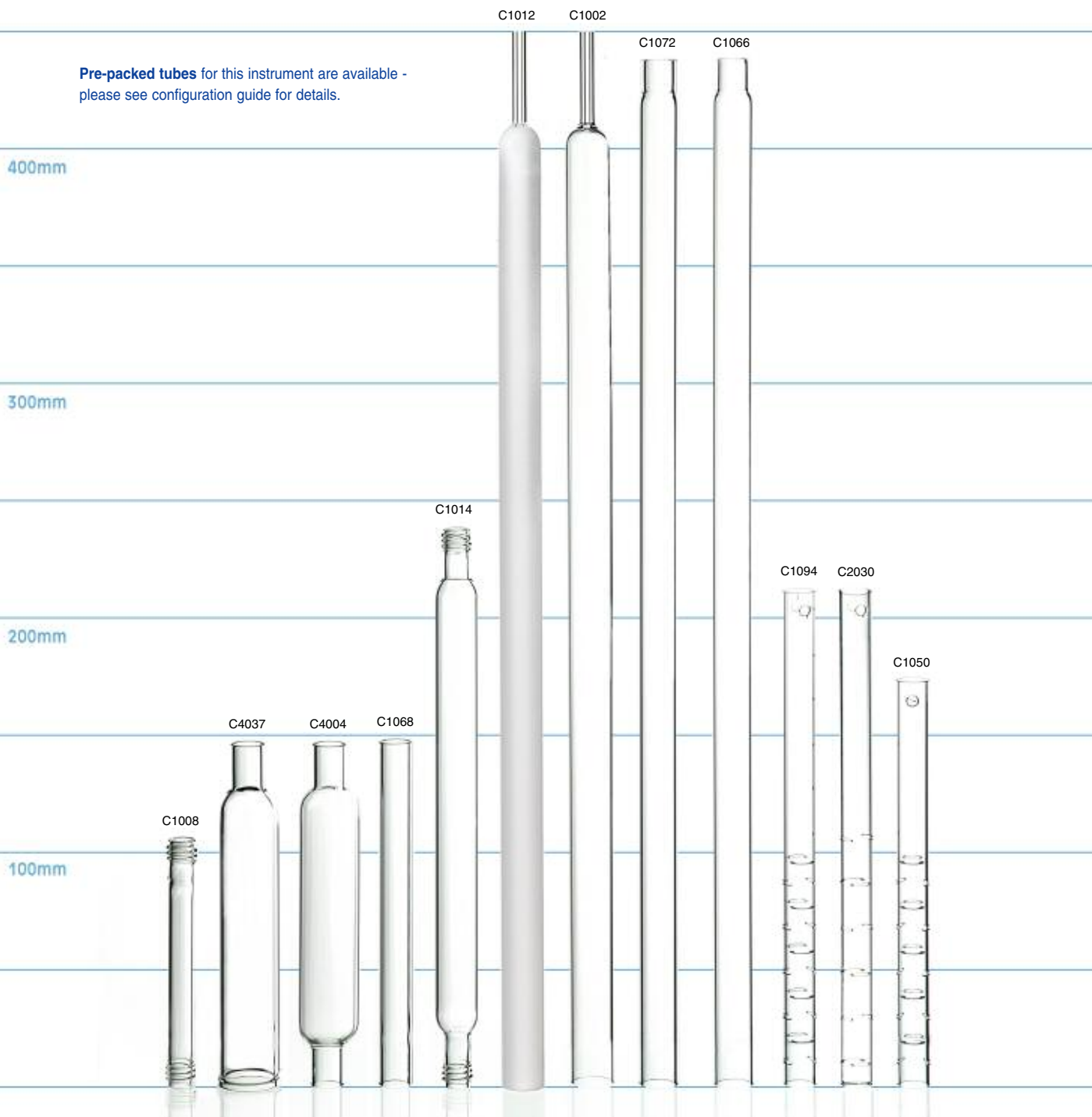
Pre-packed tubes for this instrument are available - please see configuration guide for details.



Carlo Erba/ThermoFinnigan 1500 Series 1

| Description | Pack | OEM | Cat no. |
|---|------|----------|---------|
| Reaction/Reduction Tube, transparent | 1 | 46801600 | C1002 |
| Water Scrubber Tube, threaded | 1 | 23101008 | C1008 |
| Reaction/Reduction Tube, translucent | 1 | 46801700 | C1012 |
| CO ₂ Scrubber Tube, threaded | 1 | 28113090 | C1014 |
| Sleeve insert 180mm (Open both ends) | 1 | | C1050 |
| Reaction tube Quick n' Easy system | 1 | | C1066 |
| Filter Tube Straight Quick n Easy System | 1 | | C1068 |
| Reaction tube Quick n' Easy system (Heavy Wall) | 1 | | C1072 |
| Sleeve insert 220mm (Open both ends) | 1 | | C1094 |
| Sleeve insert 220mm (Closed one end) | 1 | | C2030 |
| Filter Tube Quick n Easy 11 to 11mm | 1 | | C4004 |
| Filter Tube Quick n Easy 11 to 22mm | 1 | | C4037 |

Pre-packed tubes for this instrument are available - please see configuration guide for details.



CE/Thermo Finnigan 1106

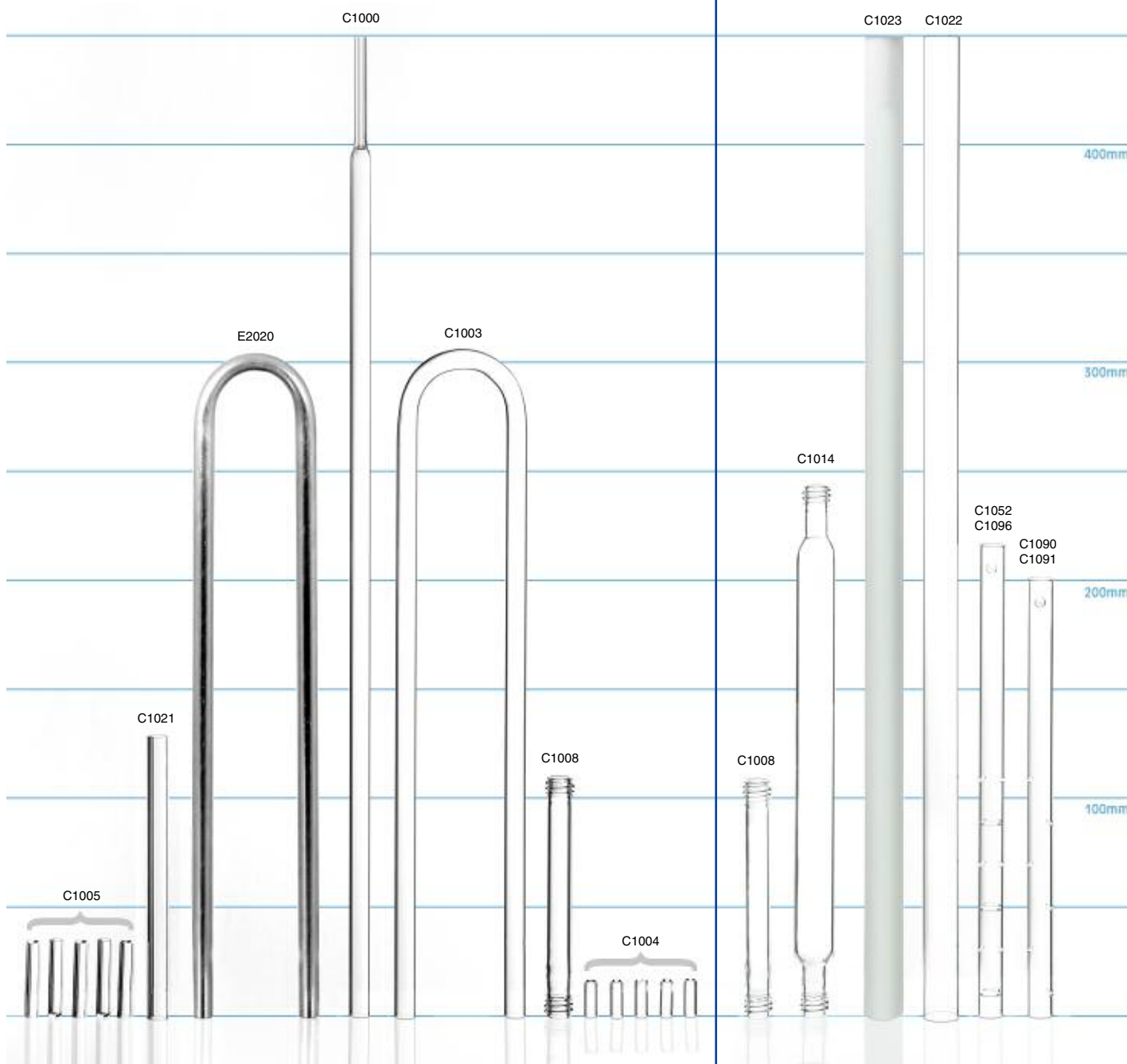
Costech

| Description | Pack | OEM | Cat no. |
|--------------------------------|------|----------|---------|
| Combustion Tube | 1 | 46800900 | C1000 |
| Reduction Tube Quartz | 1 | 46801000 | C1003 |
| Reduction Tube Stainless Steel | 1 | 39103800 | E2020 |
| Swarf Crucible | 1 | 25204500 | C1004 |
| Swarf Crucible | 1 | 25204400 | C1005 |
| Water Scrubber Tube, threaded | 1 | 28113100 | C1008 |
| Halogens Trap | 1 | 28104400 | C1021 |

| Description | Pack | OEM | Cat no. |
|---|------|-------|---------|
| Water Scrubber Tube, threaded | 1 | | C1008 |
| CO ₂ Scrubber Tube, threaded | 1 | | C1014 |
| Reaction/Reduction Tube, transparent | 1 | 61104 | C1022 |
| Reaction/Reduction Tube, translucent | 1 | | C1023 |
| Sleeve insert 220mm (Closed one end) | 1 | | C1052 |
| Sleeve insert 205mm (Open both ends) | 1 | | C1090 |
| Sleeve insert 205mm (Closed one end) | 1 | | C1091 |
| Sleeve insert 220mm (Open both ends) | 1 | | C1096 |

Pre-packed tubes for this instrument are available - please see configuration guide for details.

Pre-packed tubes for this instrument are available - please see configuration guide for details.

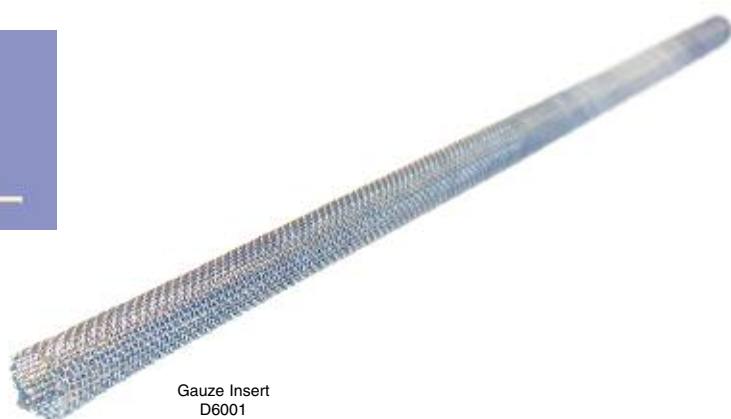
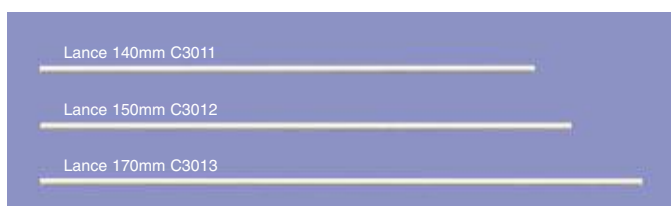


Elementar Vario EL

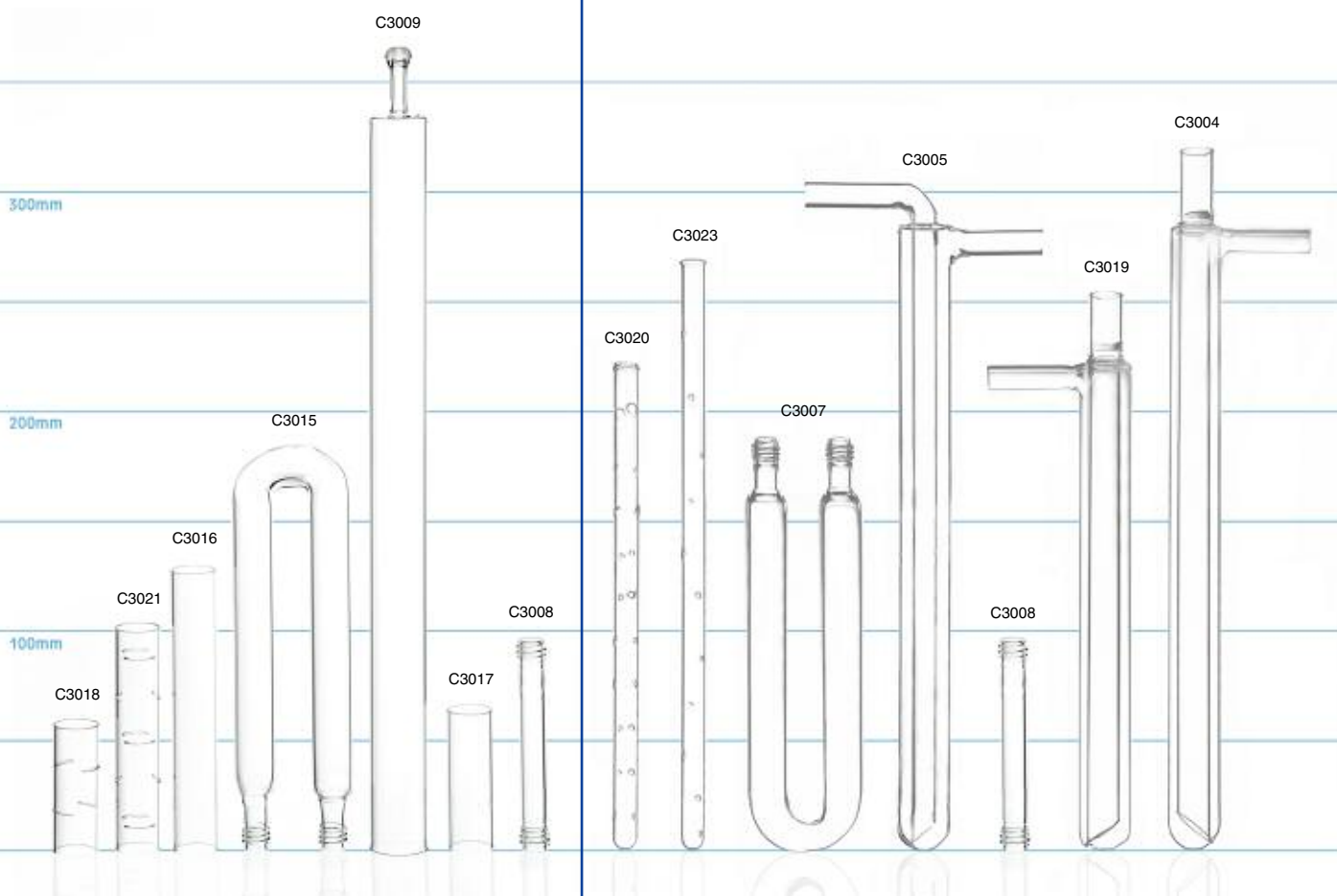
| Description | Pack | OEM | Cat no. |
|---------------------------|------|--------------|---------|
| Scrubber | 1 | 22 160 200/4 | C3008 |
| Combustion/Reduction Tube | 1 | 11 001 150/4 | C3009 |
| Lance 140mm | 1 | 05 000 088 | C3011 |
| Lance 150mm | 1 | 05 000 354 | C3012 |
| Lance 170mm | 1 | 05 000 658 | C3013 |
| U Tube | 1 | 22 160 301/4 | C3015 |
| Support Tube 133mm | 1 | 11 001 171/4 | C3016 |
| Support Tube 65mm | 1 | 11 001 172/4 | C3017 |
| Ash finger 60mm | 1 | 11 001 170/4 | C3018 |
| Ash finger 105mm | 1 | 11 001 317/4 | C3021 |
| Connecting Tube | 1 | 11 00-1331/4 | C3022 |

Elementar CHN Rapid

| Description | Pack | OEM | Cat no. |
|------------------|------|--------------|---------|
| Combustion Tube | 1 | 22 156 202/3 | C3004 |
| Reduction Tube | 1 | 22 127 245/3 | C3005 |
| U Tube | 1 | 22 160 294 | C3007 |
| Scrubber | 1 | 22 160 200/4 | C3008 |
| Pyrolysis Tube | 1 | 22 133 210/3 | C3019 |
| Pyrolysis Insert | 1 | 22 133 211/4 | C3020 |
| Insert CHN Rapid | 1 | | C3023 |
| Gauze Insert | 1 | 22 127 313/4 | D6001 |



Pre-packed tubes for this instrument are available - please see configuration guide for details.



Perkin Elmer 2400

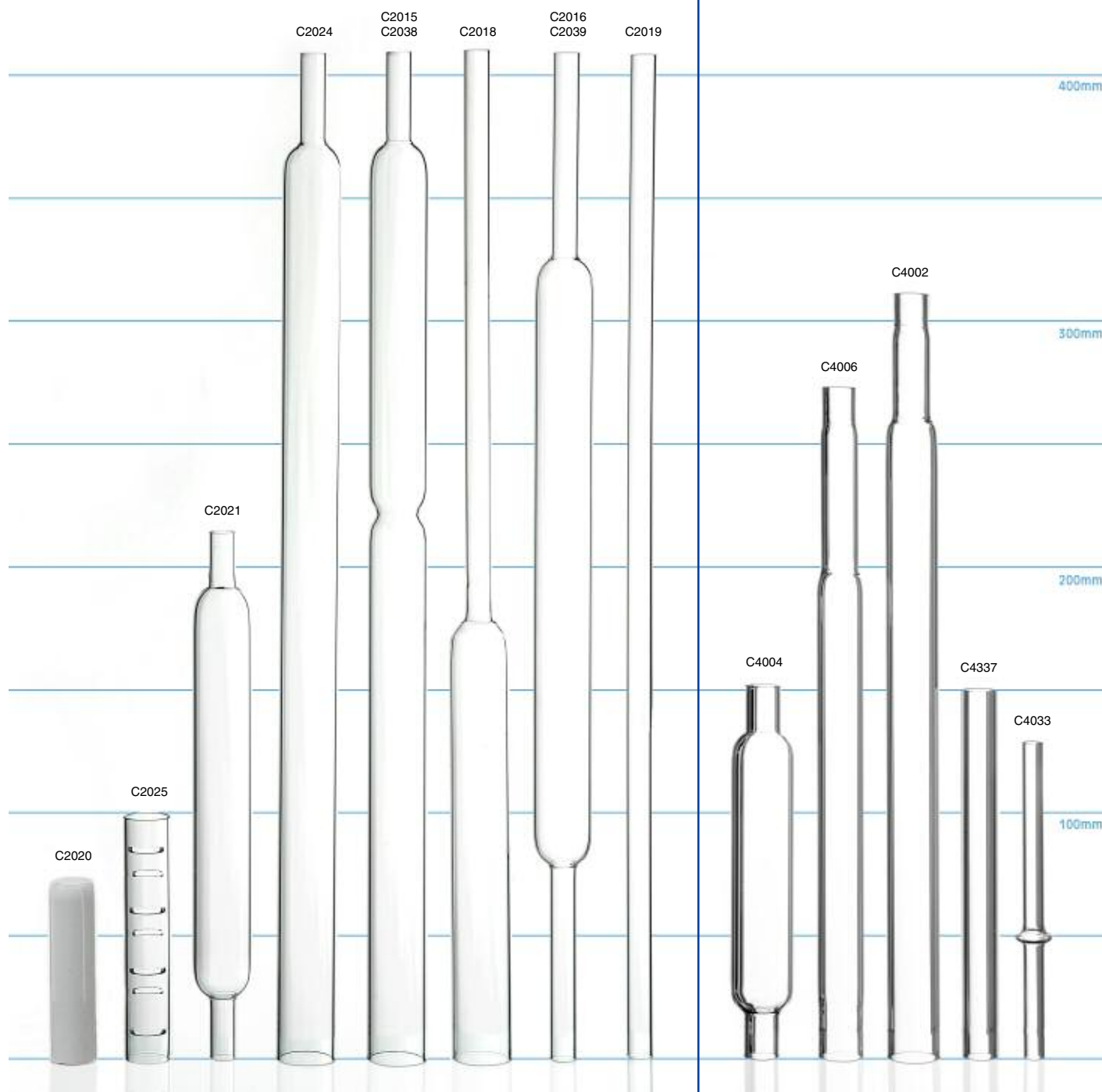
Leco® 900/932

| Description | Pack | OEM | Cat no. |
|-----------------------------------|------|-----------|---------|
| Combustion Tube | 1 | N241-1264 | C2015 |
| Reduction Tube | 1 | N241-1291 | C2016 |
| Pyrolysis Tube | 1 | N241-1235 | C2018 |
| Tube | 1 | N241-1300 | C2019 |
| Vial Recepticle Slitted Quartz | 1 | | C2020 |
| Scrubber Tube | 1 | N241-1359 | C2021 |
| Combustion tube | 1 | N241-1514 | C2024 |
| Vial Recepticle Slitted Quartz | 1 | N241-1401 | C2025 |
| Combustion Tube (Pack of 5xC2015) | 1 | N241-0212 | C2038 |
| Reduction Tube (Pack of 5xC2016) | 1 | N241-0154 | C2039 |

| Description | Pack | OEM | Cat no. |
|-------------------------------------|------|---------|---------|
| Reaction/Reduction tube | 1 | 605-875 | C4002 |
| Filter Tube Quick n Easy 11 to 11mm | 1 | 775-601 | C4004 |
| Catalyst Heater Tube | 1 | 776-279 | C4006 |
| Lance Tube | 1 | 604-541 | C4033 |
| Reagent tube | 1 | 774-368 | C4337 |

Pre-packed tubes for this instrument are available - please see configuration guide for details.

Pre-packed tubes for this instrument are available - please see configuration guide for details.



Europa

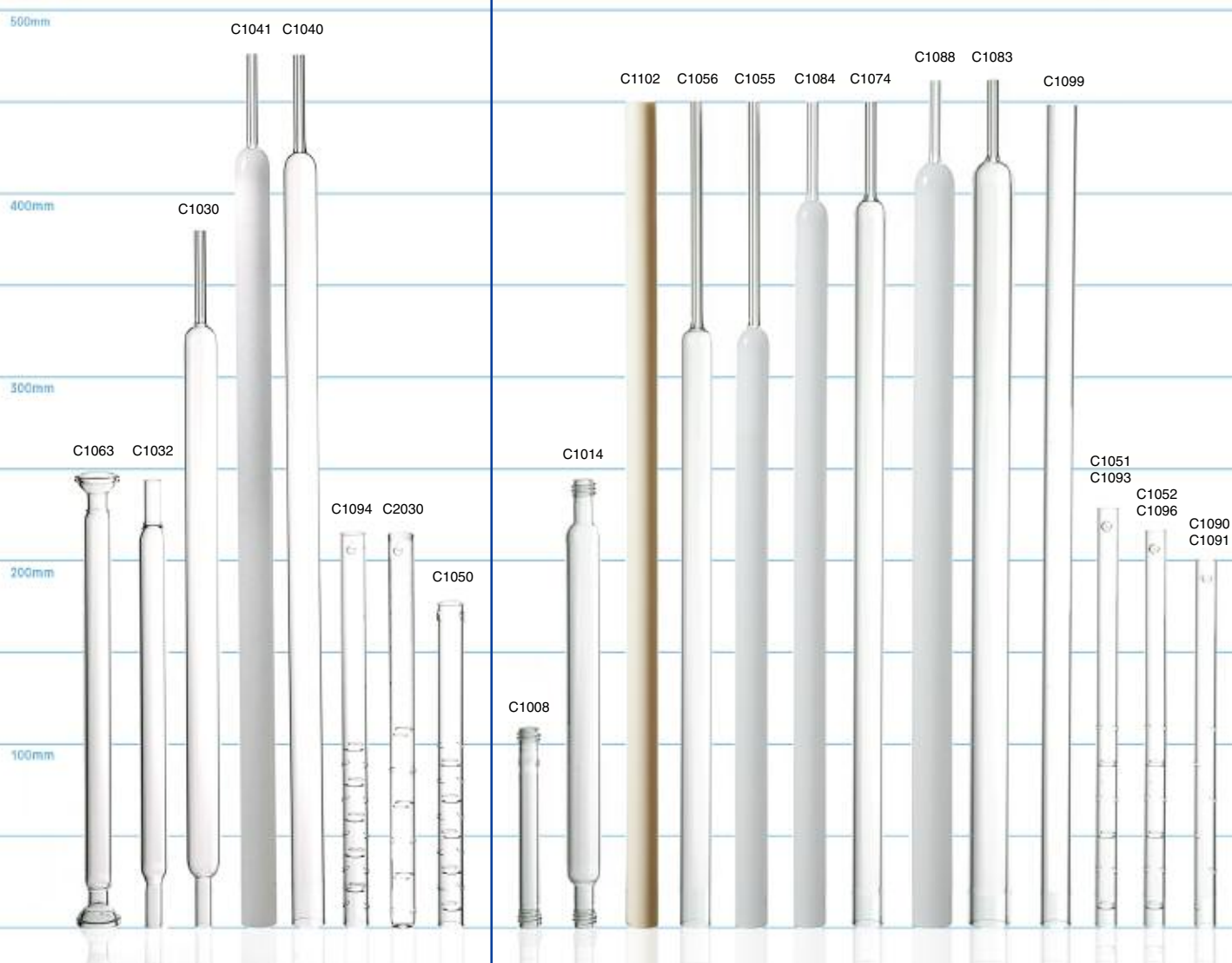
| Description | Pack | OEM | Cat no. |
|--------------------------------------|------|----------|---------|
| Reduction Tube | 1 | C1001014 | C1030 |
| Scrubber | 1 | C1001015 | C1032 |
| Reaction/Reduction Tube, transparent | 1 | C1001012 | C1040 |
| Reaction/Reduction Tube, translucent | 1 | C1001013 | C1041 |
| Sleeve insert 180mm (Open both ends) | 1 | C1001048 | C1050 |
| Scrubber | 1 | E1002687 | C1063 |
| Sleeve insert 220mm (Open both ends) | 1 | | C1094 |
| Sleeve insert 220mm (Closed one end) | 1 | | C2030 |

Eurovector

| Description | Pack | OEM | Cat no. |
|---|------|--------|---------|
| Trap | | | C1008 |
| Trap | | | C1014 |
| Sleeve insert 235mm (Closed one end) | 1 | | C1051 |
| Sleeve insert 220mm (Closed one end) | 1 | | C1052 |
| Reaction tube modified, transparent/translucent | 1 | | C1055 |
| Reaction tube modified transparent | 1 | E12512 | C1056 |
| Reaction tube, transparent, pack of 2 | 1 | E12509 | C1074 |
| Reaction tube, translucent, pack of 2 | 1 | E12508 | C1084 |
| Reaction tube, quartz 20/6, transparent | 1 | E12520 | C1083 |
| Reaction tube, quartz 20/6, translucent | 1 | E12525 | C1088 |
| Sleeve insert 205mm (Open both ends) | 1 | | C1090 |
| Sleeve insert 205mm (Closed one end) | 1 | | C1091 |
| Sleeve insert 235mm (Open both ends) | 1 | | C1093 |
| Sleeve insert 220mm (Open both ends) | 1 | | C1096 |
| Reaction Tube | 1 | E12510 | C1099 |
| Ceramic Tube | 1 | E12507 | C1102 |

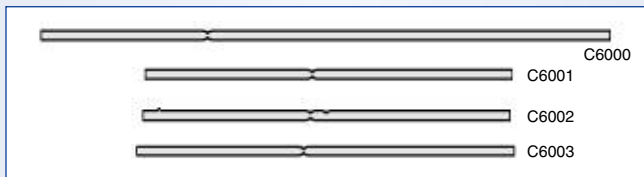
Pre-packed tubes for this instrument are available - please see configuration guide for details.

Pre-packed tubes for this instrument are available - please see configuration guide for details.



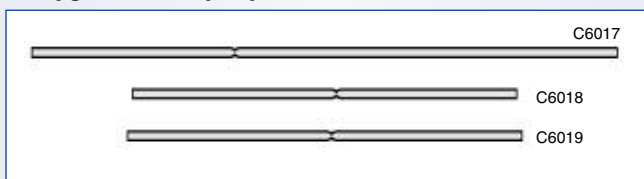
Exeter

CHN Mode Combustion Tubes



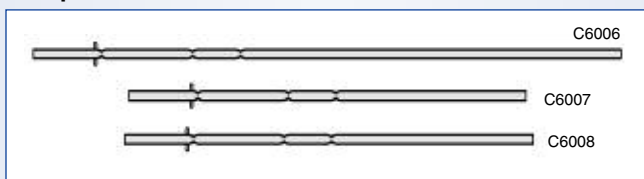
| Product | Pack | E part | Cat no |
|---|------|-----------|--------|
| Combustion tube, CHN, SAI, 25.25" | 1 | 0240-1225 | C6000 |
| Combustion tube, CHN, SHA, 16.25" | 1 | 6703-0514 | C6001 |
| Combustion tube, CHN, SHA, anti-jetting, 16.25" | 1 | 6703-0585 | C6002 |
| Combustion tube, CHN, HA, 16.75" | 1 | 6703-0378 | C6003 |

Oxygen Mode Pyrolysis Tubes



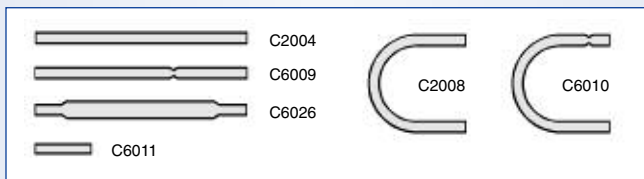
| Product | Pack | E part | Cat no |
|-----------------------------------|------|-----------|--------|
| Pyrolysis tube, oxygen, SAI, 26" | 1 | 0240-1962 | C6017 |
| Pyrolysis tube, oxygen, SHA, 17" | 1 | 6703-0565 | C6018 |
| Pyrolysis Tube, oxygen, HA, 17.5" | 1 | 6703-0406 | C6019 |

Sulphur Mode Combustion Tubes



| Product | Pack | E part | Cat no |
|---------------------------------------|------|-----------|--------|
| Combustion tube, sulphur, SAI, 27.75" | 1 | 0240-1369 | C6006 |
| Combustion tube, sulphur, SHA, 18.75" | 1 | 6703-0581 | C6007 |
| Combustion tube, sulphur, HA, 19.25" | 1 | 6703-0580 | C6008 |

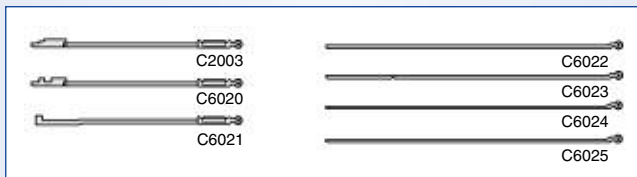
Scrubbers, Traps and Connector Tubes



| Product | Pack | E part | Cat no |
|-----------------------------------|------|------------|--------|
| Scrubber tube, CHN/O, 8" | 4 | 0240-1217 | C2004 |
| Scrubber tube, sulphur, 8" | 1 | 0240-1372 | C6009 |
| Scrubber tube, large diameter, 8" | 1 | 0240-0217B | C6026 |
| U tube, oxygen | 1 | 0240-1356 | C2008 |
| U tube, sulphur | 1 | 0240-1371 | C6010 |
| Drive box connector tube, 2.5" | 1 | - | C6011 |

Exeter

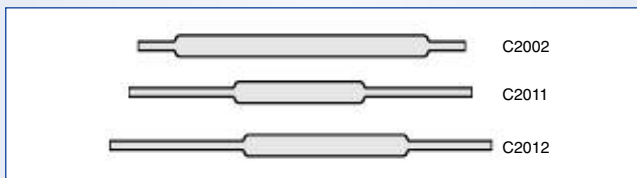
Ladles



| Product | Pack | E part | Cat no |
|-----------------------------------|------|------------|--------|
| Magnetic ladle, SAI | 1 | 0240-1321 | C2003 |
| Magnetic ladle, SAI, with cut-out | 1 | 0240-1724A | C6020 |
| Magnetic ladle, SAI, refractories | 1 | 0240-2061A | C6021 |
| Ladle, SHA, straight | 1 | 6703-0503 | C6022 |
| Ladle, SHA, anti-jetting | 1 | 6703-0584 | C6023 |
| Ladle, HA 64, curved | 1 | 6703-0376 | C6024 |
| Ladle, HA 64, small diameter | 1 | 6703-0589 | C6025 |

Reduction Tubes and Secondary Reactor Tubes

Note: Our CEC type silicaware has circular grooves to form constrictions.

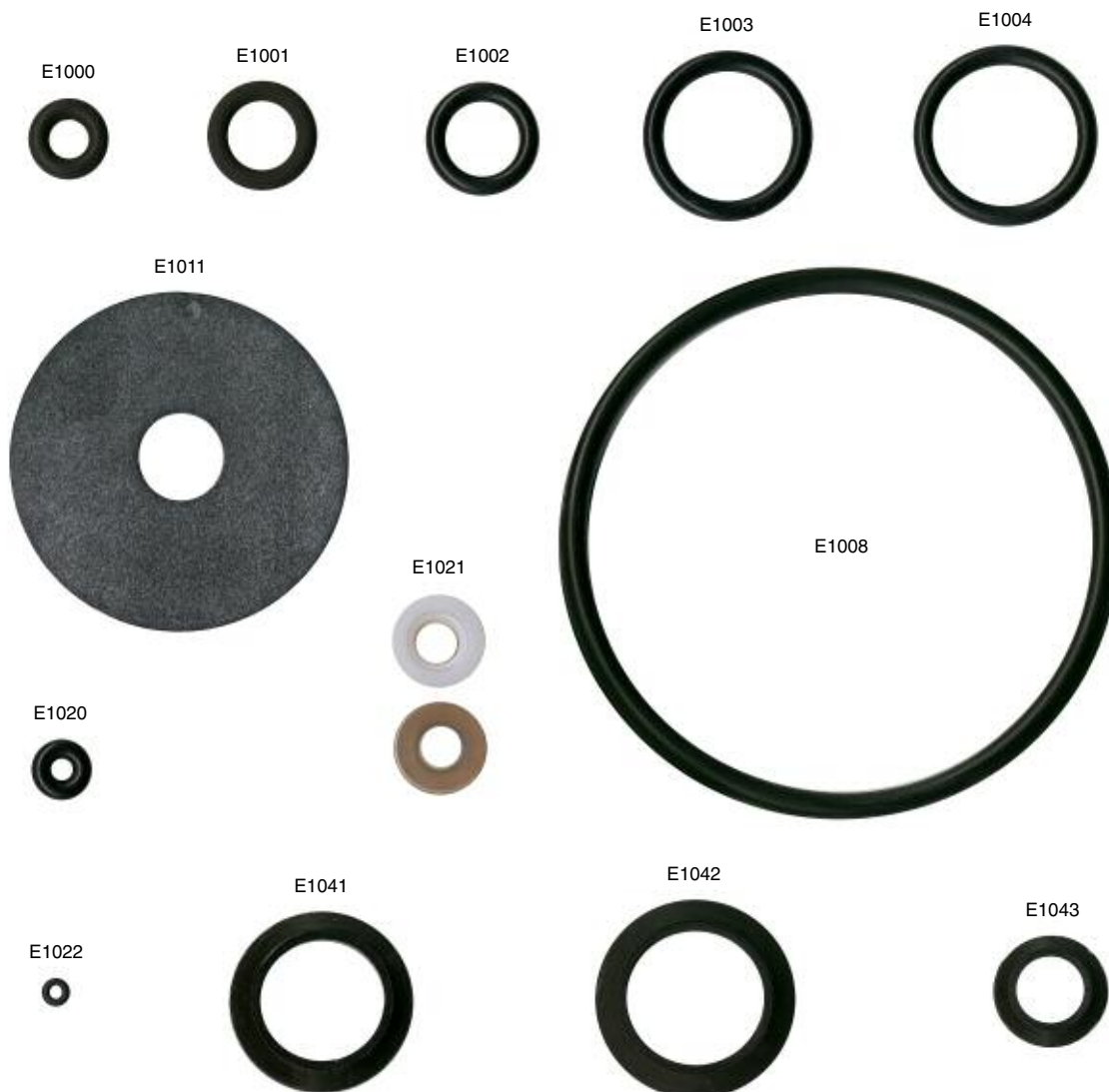


| Product | Pack | E part | Cat no |
|--|------|-----------|--------|
| Reduction tube, CHN, 14.5" | 1 | 0240-0573 | C2002 |
| Secondary reactor tube, oxygen, 15.25" | 1 | 0240-1963 | C2011 |
| Reduction tube, sulphur, 17" | 1 | 0240-1961 | C2012 |

Carlo Erba/ThermoFinnigan

| Product | Pack | OEM | Cat no |
|-------------------------------------|------|----------|--------|
| O-ring, Viton | 10 | 29050567 | E1000 |
| O-ring, Viton | 10 | 29030331 | E1001 |
| O-ring, Nitrile | 10 | 29050306 | E1002 |
| O-ring, Nitrile | 10 | | E1003 |
| O-ring, Nitrile | 10 | | E1004 |
| O-ring, Nitrile | 1 | 29005046 | E1008 |
| Bi-pneumatic Valve Diaphragm | 1 | 31302100 | E1011 |
| O-ring, Nitrile | 10 | 29050304 | E1020 |
| O-ring, Schott Type Silicone/PTFE | 10 | 29013603 | E1021 |
| O-ring, Nitrile | 10 | 29050301 | E1022 |
| Seal Viton Chamfered Square Profile | 5 | 29032910 | E1041 |
| Seal Viton Chamfered Square Profile | 5 | 29030042 | E1042 |
| Seal Viton Chamfered Square Profile | 5 | 29050306 | E1043 |

O-rings shown actual size



Eurovector

| Product | Pack | OEM | Cat no |
|--------------------------------------|------|--------|--------|
| O-ring viton for 10/11mm od | 10 | E13520 | E1500 |
| O-ring | 10 | | E1502 |
| O-ring EVR for holder | 2 | E13535 | E1503 |
| O-ring EVR for reactor 18mm od | 1 | E13536 | E1504 |
| O-ring EVR for bottom quick fit 18mm | 1 | E13537 | E1505 |
| O-ring for ceramic reactor 17mm | 1 | E13538 | E1506 |
| O-ring EVR for bottom quick fit 17mm | 1 | E13539 | E1507 |
| O-ring viton bottom quick fit 6mm | 1 | E13540 | E1508 |



E1500



E1502

O-rings shown actual size



E1503



E1504



E1505



E1506



E1507



E1508

Perkin Elmer

| Product | Pack | OEM | Cat no |
|-----------------|------|-----------|--------|
| O-ring Nitrile | 10 | 0990-2017 | E1005 |
| O-ring Nitrile | 10 | 0240-1582 | E1006 |
| O-ring Viton | 10 | 0240-1581 | E1007 |
| O-ring Silicone | 10 | 0990-2188 | E1009 |
| O-ring Nitrile | 1 | 0990-2048 | E1010 |
| O-ring Viton | 10 | 0240-1583 | E1013 |
| O-ring Nitrile | 2 | 0990-2123 | E1014 |
| O-ring Nitrile | 2 | 0240-1293 | E1015 |
| O-ring Viton | 1 | 0240-2133 | E1019 |

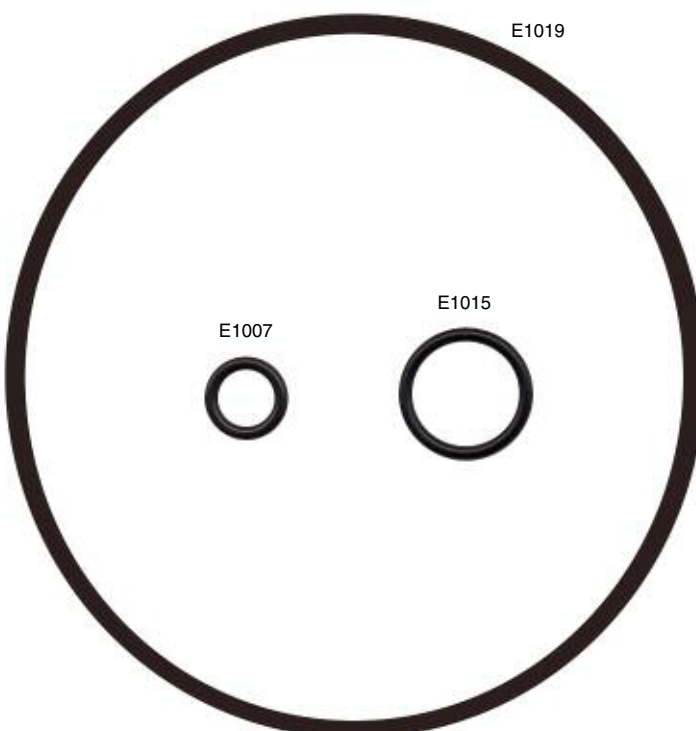
O-rings shown actual size



E1009



E1010



E1019



E1005



E1013



E1007



E1015



E1006



E1014

Leco®

| Product | Pack | OEM | Cat no |
|--|------|---------|--------|
| O-ring Sample Drop Block | 1 | 772-910 | E1100 |
| O-ring Combustion/Catalyst/Filter Tube | 1 | 605-828 | E1105 |
| O-ring Furnace Filter/Filter Tube | 1 | 772-520 | E1110 |
| O-ring Catalyst Heater Assembly | 1 | 772-738 | E1111 |
| O-ring Sample Drop Block | 1 | 589-551 | E1112 |
| O-ring Catalyst/Reaction Tube | 1 | 605-830 | E1126 |
| O-ring Lance Tube | 1 | 760-224 | E1127 |
| O-ring Sample Drop Block | 1 | 774-283 | E1129 |
| O-ring Sample Drop Block Piston | 1 | 774-613 | E1130 |
| O-ring Catalyst Heater Tube | 1 | 778-114 | E1131 |
| Seal Viton | 1 | 589-305 | E1132 |
| O-ring Filter Tube | 1 | 765-976 | E1133 |

O-rings shown actual size



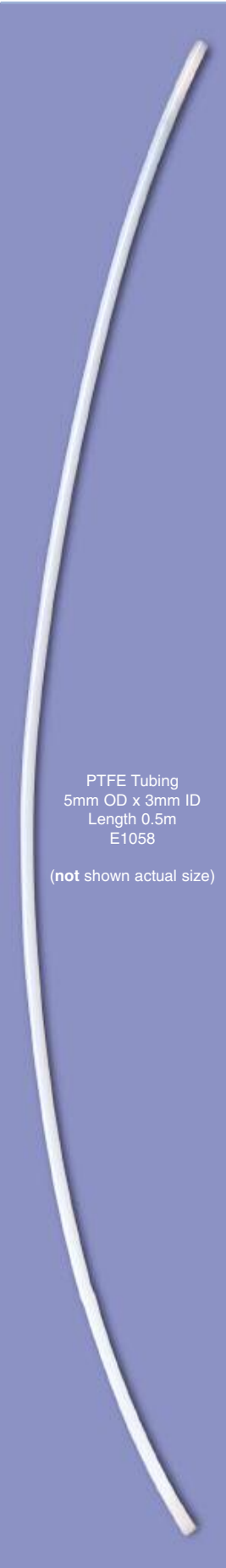
Elementar

| Product | Pack | OEM | Cat no |
|----------------------------------|------|------------|--------|
| O-ring Silicone | 10 | 03 654 603 | E1016 |
| O-ring Viton | 1 | 03 654 772 | E1017 |
| Seal Viton | 1 | 05 000 247 | E1050 |
| O-ring Kalrez | 1 | 05 000 383 | E1051 |
| O-ring Kalrez | 1 | 05 000 382 | E1052 |
| O-ring Viton | 1 | 05 000 341 | E1053 |
| Quadring Viton | 1 | 05 000 353 | E1054 |
| O-ring Silicone | 1 | 03 654 814 | E1055 |
| O-ring Viton | 1 | 05 000 369 | E1057 |
| Tubing PTFE 5mm OD x 3mm ID 0.5m | 1 | 03 651 011 | E1058 |
| O-ring Nitrile | 1 | 05 000 140 | E1060 |
| O-ring Kalrez | 1 | 05 000 092 | E1061 |
| O-ring Silicone | 1 | 05 000 043 | E1062 |
| O-ring Silicone | 1 | 03 653 103 | E1063 |
| O-ring Silicone | 1 | 03 654 629 | E1066 |
| O-ring Viton | 1 | 05 000 249 | E1067 |
| O-ring Viton | 1 | 05 000 385 | E1068 |
| O-ring Viton | 1 | 05 000 416 | E1069 |
| O-ring Viton | 1 | 05 000 359 | E1070 |

| Product | Pack | OEM | Cat no |
|------------------|------|------------|--------|
| O-ring Nitrile | 1 | 05 000 368 | E1071 |
| O-ring Viton | 1 | 05 000 096 | E1072 |
| O-ring Viton | 1 | 03 654 627 | E1073 |
| O-ring Viton | 1 | 05 000 095 | E1074 |
| O-ring Viton | 1 | 03 002 267 | E1075 |
| O-ring Viton | 1 | 05 000 371 | E1076 |
| O-ring Viton | 1 | 05 000 372 | E1077 |
| Quadring Nitrile | 1 | 05 000 384 | E1078 |
| Sealing Ring | 1 | 03 667 990 | E1079 |
| Sealing Ring | 1 | 03 667 991 | E1080 |
| O-ring Nitrile | 1 | 03 654 615 | E1081 |
| O-ring Silicone | 1 | 03 654 701 | E1082 |
| O-ring Silicone | 1 | 05 000 248 | E1083 |
| O-ring Silicone | 1 | 03 653 118 | E1085 |
| O-ring Silicone | 1 | 03 654 505 | E1086 |
| O-ring Silicone | 1 | 03 654 772 | E1088 |
| O-ring Silicone | 1 | 03 679 941 | E1090 |
| Shaft Seal | 1 | 03 002 607 | E1555 |

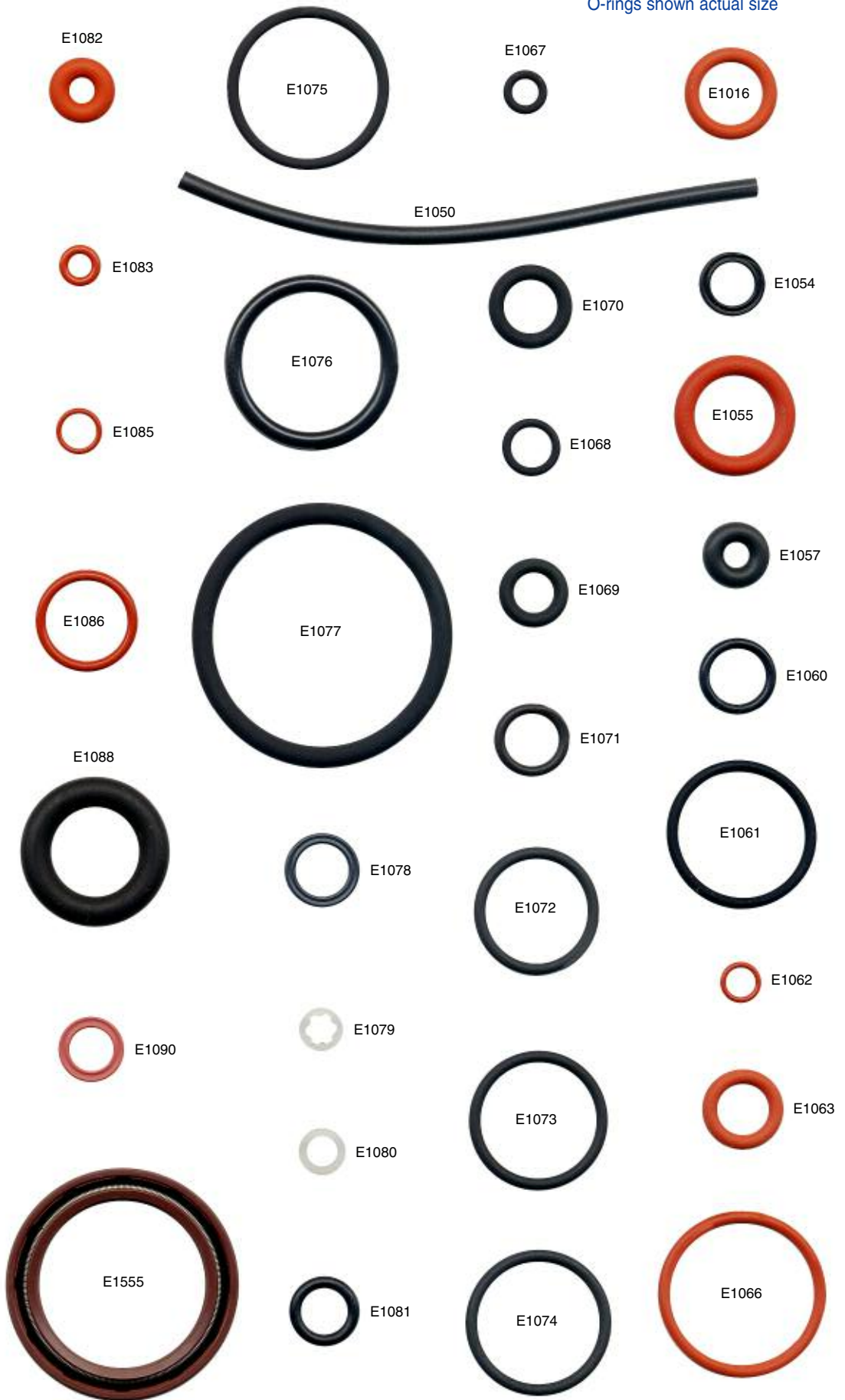
Elementar O-rings & Seals

O-rings shown actual size



PTFE Tubing
5mm OD x 3mm ID
Length 0.5m
E1058

(not shown actual size)



Costech

| Product | Pack | OEM | Cat no |
|-------------------------------------|------|----------|--------|
| O-ring Schott Type Silicone/PTFE | 10 | 29013603 | E1021 |
| Seal Viton Chamfered Square Profile | 5 | 29032910 | E1041 |

Europa

| Product | Pack | OEM | Cat no |
|-------------------------------------|------|----------|--------|
| O-ring Viton | 10 | | E1001 |
| O-ring Nitrile | 10 | | E1004 |
| Seal Viton Chamfered Square Profile | 5 | | E1042 |
| O-ring | 1 | E1005669 | E1420 |
| O-ring | 1 | E1002684 | E1421 |

E1021
(Both sides shown)



E1041



E1001



E1004



E1042



E1420



E1421

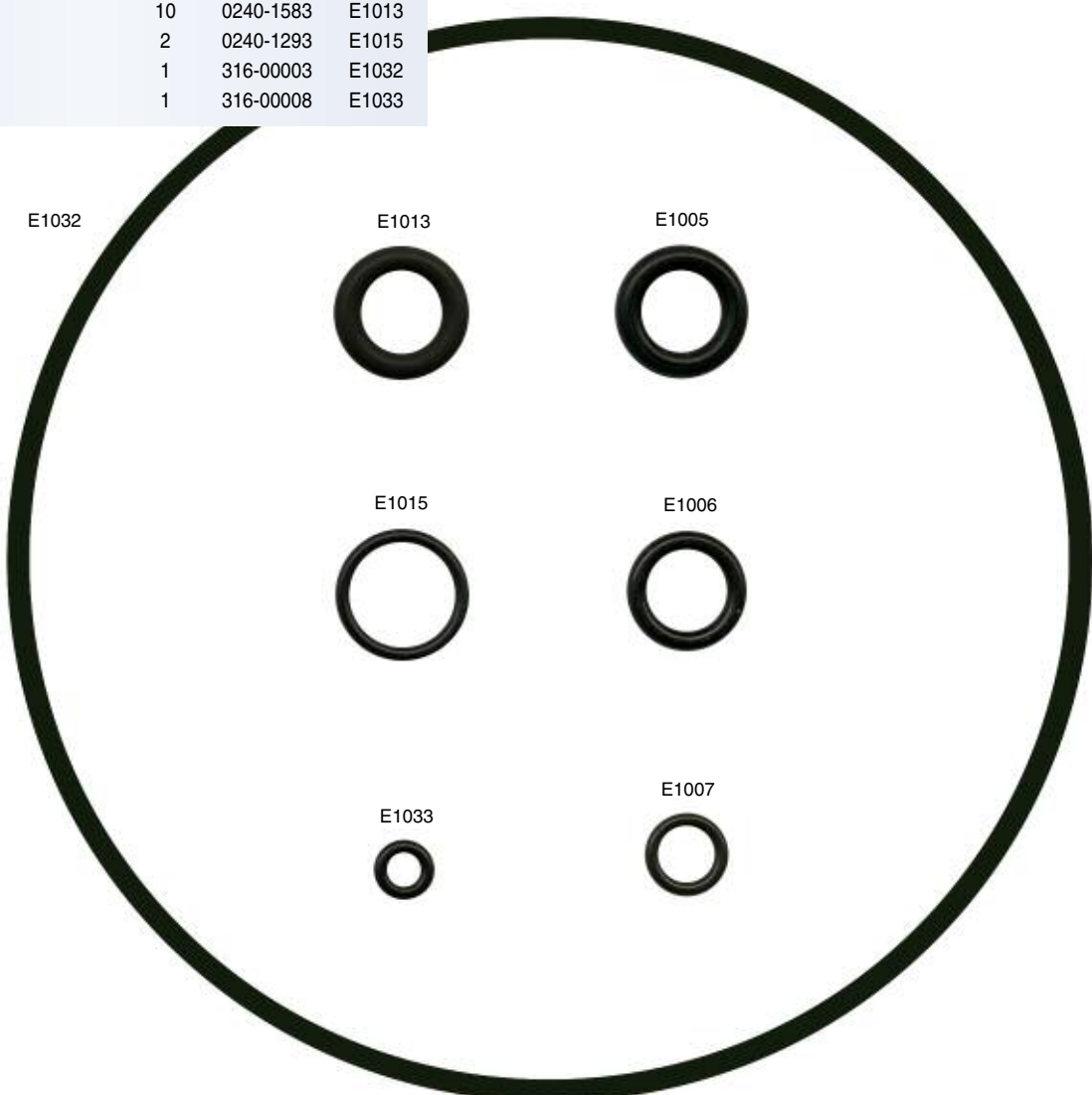


Exeter

| Product | Pack | OEM | Cat no |
|----------------|------|-----------|--------|
| O Ring Nitrile | 10 | 0990-2017 | E1005 |
| O Ring Nitrile | 10 | 0240-1582 | E1006 |
| O Ring Viton | 10 | 0240-1581 | E1007 |
| O Ring Viton | 10 | 0240-1583 | E1013 |
| O Ring Nitrile | 2 | 0240-1293 | E1015 |
| O Ring Nitrile | 1 | 316-00003 | E1032 |
| O Ring Nitrile | 1 | 316-00008 | E1033 |

O-rings shown actual size

E1032



E1013



E1005



E1015



E1006



E1033



E1007



A good separation column is essential for the accurate functioning of any chromatographic elemental analyser. Elemental Microanalysis columns are carefully manufactured and tested for optimum performance.

CHN Separation Columns

| Column | Pack | CE/Thermo | Costech | Eurovector | Europa |
|---------------|------|-----------|---------|------------|--------|
| E3000 2m SS | 1 | 260 08200 | 051081 | E11505 | - |
| E3006 2m SS | 1 | 260 08000 | - | - | - |
| E3020 2m PTFE | 1 | 260 08207 | - | - | - |

NCHS Separation Columns



| Column | Pack | CE/Thermo | Costech | Eurovector | Europa |
|---------------|------|-----------|---------|------------|--------|
| E3003 2m SS | 1 | 260 08206 | 051080 | E11501 | - |
| E3013 2m PTFE | 1 | 260 08208 | - | E11507 | - |

NC Columns

| Column | Pack | CE/Thermo | Costech | Eurovector | Europa |
|---------------|------|-----------|---------|------------|----------|
| E3004 3m SS | 1 | 260 08205 | 051082 | E11510 | - |
| E3008 4m SS | 1 | - | 051085 | - | - |
| E3031 0.5m SS | 1 | - | - | - | E1004907 |

Nitrogen Columns

| Column | Pack | CE/Thermo | Costech | Eurovector | Europa |
|-------------|------|-----------|---------|------------|--------|
| E3005 2m SS | 1 | 260 70004 | - | - | - |

Oxygen Columns

| Column | Pack | CE/Thermo | Costech | Eurovector | Europa |
|-------------|------|-----------|---------|------------|----------|
| E3001 1m SS | 1 | 260 07900 | 051084 | E11520 | - |
| E3016 2m SS | 1 | - | 051088 | - | - |
| E3030 1m SS | 1 | - | - | - | C1001070 |

Sulphur Columns



| Column | Pack | CE/Thermo | Costech | Eurovector | Europa |
|-----------------|------|-----------|---------|------------|--------|
| E3002 0.8m PTFE | 1 | 260 07800 | 051083 | E11515 | - |

Trace Columns

| Column | Pack | CE/Thermo | Costech | Eurovector | Europa |
|-----------------|------|-----------|---------|------------|--------|
| E3007 0.5m PTFE | 1 | 260 18500 | - | - | - |

Nitrogen/Protein Columns

| Column | Pack | CE/Thermo | Costech | Eurovector | Europa |
|-----------------|------|-----------|---------|------------|--------|
| E3022 0.5m PTFE | 1 | 260 07820 | - | - | - |

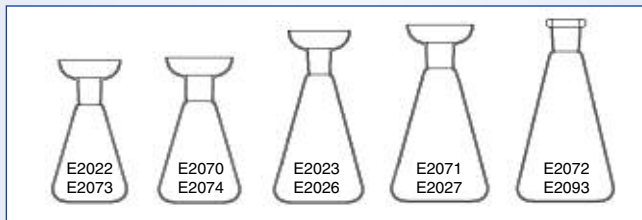
All columns are supplied conditioned and tested.

Oxygen Flask Combustion Equipment

Oxygen Flasks

Our oxygen flasks conform to BS2735 and are available in borosilicate or silica glass.

We can manufacture oxygen flasks in designs other than those listed if required. Please enquire for further information about this service.

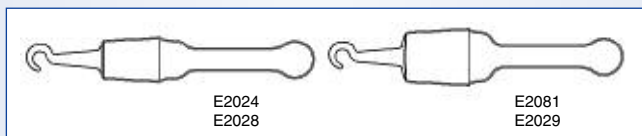


| Description | Pack | Cat no. |
|--|------|---------|
| Oxygen flask, borosilicate, 250 ml, B24 | 1 | E2022 |
| Oxygen flask, borosilicate, 500 ml, B24 | 1 | E2023 |
| Oxygen flask, borosilicate, 250 ml, B29 | 1 | E2070 |
| Oxygen flask, borosilicate, 500 ml, B29 | 1 | E2071 |
| Oxygen flask, borosilicate, 750 ml, B29 | 1 | E2080 |
| Oxygen flask, borosilicate, 500 ml, B34 | 1 | E2106 |
| Oxygen flask, transparent silica, 250 ml, B24, for fluorine | 1 | E2073 |
| Oxygen flask, transparent silica, 500 ml, B24, for fluorine | 1 | E2026 |
| Oxygen flask, transparent silica, 1000 ml, B29, for fluorine | 1 | E2103 |
| Oxygen flask, transparent silica, 250 ml, B29, for fluorine | 1 | E2074 |
| Oxygen flask, transparent silica, 500 ml, B29, for fluorine | 1 | E2027 |
| Oxygen flask, 750 ml, B29, for use with Heraeus oxygen flask combustion unit, borosilicate | 1 | E2072 |
| Oxygen flask, 750 ml, B29, for use with Heraeus oxygen flask combustion unit, silica, for fluorine determination | 1 | E2093 |

Oxygen Flask Stoppers

Available in borosilicate or silica glass.

We can manufacture oxygen flask stoppers in designs other than those listed below or attach platinum baskets as required. Please enquire for more details.



| Description | Pack | Cat no. |
|---|------|---------|
| Stopper, borosilicate, B24, with hook | 1 | E2024 |
| Stopper, borosilicate, B29, with hook | 1 | E2081 |
| Stopper, transparent silica, B24, with hook | 1 | E2028 |
| Stopper, transparent silica, B29, with hook | 1 | E2029 |

Platinum Baskets for Oxygen Flask Combustions

Elemental Microanalysis platinum baskets are of fully welded construction in 99.9% platinum. Edges and rims are folded and welded to reduce fraying. Baskets are available for use in upright or inverted oxygen flasks.

| Description | Pack | Cat no. |
|--|------|---------|
| Platinum basket for upright flask, platinum, 20 x 7 mm basket, 1 mm dia. stem 70 mm long, 2.2 g | 1 | D7005 |
| Platinum basket for inverted flask, platinum, 20 x 7 mm basket, 1 mm dia. stem 70 mm long, 2.2 g | 1 | D7007 |

Oxygen Flask Combustion Equipment

Platinum Flags for Oxygen Flask Combustions

Elemental Microanalysis platinum flags are of fully welded construction in 99.9% platinum. Edges and rims are folded and welded to reduce fraying.



| Description | Pack | Cat no. |
|---|------|---------|
| Platinum flag, 15 x 30 mm, platinum, 1 mm dia. stem 70 mm long, 2.3 g | 1 | D7004 |

We can repair platinum baskets and flags at a fraction of the cost of a new replacement item. Please enquire for more information.

Platinum Micro-crucible



| Description | Pack | Cat no. |
|--|------|---------|
| Platinum micro-crucible, small handling lug, suitable for ashing, capacity 1 ml, height 13 mm, ID 12 mm, base 7.5 mm, weight 2 g | 1 | D7008 |
| Platinum lid for D7008 | 1 | D7009 |

We can also supply platinum crucibles in other sizes. Please enquire for details.

Other Micro-chemical Platinumware



| Description | Pack | Cat no. |
|---|------|---------|
| Platinum gauze catalyst strip, 12 x 150 mm, weight 260 mg | 1 | D7006 |
| Platinum gauze catalyst strip, 20 x 200 mm, weight 325 mg | 1 | D7014 |
| Platinum sheet, 50 x 50 x 0.05 mm | 1 | D7012 |
| Platinum sheet, 50 x 50 x 0.1 mm | 1 | D7013 |
| Platinum wire, diameter 1 mm, length 150 mm | 1 | D7015 |

We can manufacture special items in platinum and supply platinum sheet, wire and gauze in other sizes and specifications. We can also repair platinumware at a fraction of the cost of a new replacement item. Please enquire for more information about either of these services.

Oxygen Flask Combustion Equipment

Oxygen Flask Combustion Safety Equipment

Although the oxygen flask combustion technique is widely accepted as a safe method it is advisable to take safety precautions against the rare and unexpected. Oxygen flask combustion should be carried out behind a safety screen and protective gloves and safety spectacles or goggles should be worn.



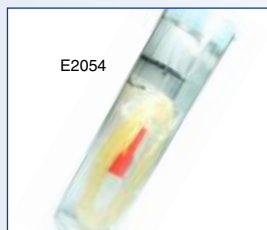
| Description | Pack | Cat no. |
|--|--------|---------|
| Safety screen for oxygen flask combustions (flat 6 mm polycarbonate screen with heavy base) | 1 | E2075 |
| Safety gloves, kevlar, extended cuff, cut resistant, suitable for oxygen flask combustions (state S, M or L when ordering) | 1 pair | E2076 |
| Safety glasses, metal frame, conform to BS 2092:2 | 1 | E2078 |

Microanalytical Tools and Sundries

Disposable glass micro-pipettes

A range of graduated micro-sampling pipettes for loading liquids into smooth wall capsules. The graduations are a guide to the amount dispensed. For most liquids 1 microlitre is approximately 1 mg.

Supplied with mouthpiece, pipette connection and length of tubing. For efficient pipetting we recommend the use of our micro-pipette filler.



| Description | Pack | Cat no. |
|--|------|---------|
| Micro-pipettes, disposable, calibrated 5 µlitre in divisions of 1 µlitre, borosilicate | 250 | E2008 |
| Micro-pipettes, disposable, calibrated 5 microlitre, borosilicate | 250 | E2052 |
| Micro-pipettes, disposable, calibrated 10 microlitre, borosilicate | 250 | E2053 |
| Micro-pipettes, disposable, calibrated 20 microlitre, borosilicate | 250 | E2054 |
| Micro-pipettes, disposable, calibrated 25 microlitre, borosilicate | 250 | E2009 |
| Micro-pipettes, disposable, calibrated 50 microlitre, borosilicate | 250 | E2055 |
| Micro-pipettes, disposable, calibrated 100 microlitre, borosilicate | 250 | E2056 |
| Micro-pipette filler, for above | 1 | E2045 |

Pasteur (Dropping) Pipettes

| Description | Pack | Cat no. |
|--|------|---------|
| Pipettes, Pasteur, glass, jet dia. 1.5 mm, jet length 60 mm, overall length 145 mm | 250 | E2057 |
| Teat, pasteur pipettes, PVC with 1.5 ml uptake, 46 mm long x 15 mm OD, 7 mm bore | 100 | E2058 |

Microanalytical Tools and Sundries (cntd.)

Bubble Flowmeter, Timers



| Description | Pack | Cat no. |
|---|------|---------|
| Bubble flowmeter, 50 x 10 cc, for measuring gas flows in elemental analysers, complete with tubing, teat and magnetic clamps (Other sizes of flowmeter available - please enquire) | 1 | F5105 |
| Snoop leak detecting fluid, also for use in bubble flowmeters | 1 | E2039 |
| Digital stopwatch, hand held | 1 | E2060 |
| Digital stop clock, bench version | 1 | E2061 |

Forceps



| Description | Pack | Cat no. |
|---|------|---------|
| Forceps, blunt ends, stainless steel, length 130 mm | 1 | E2018 |
| Forceps, straight ends, stainless steel, length 130 mm | 1 | E2017 |
| Forceps, curved ends, stainless steel, 130 mm | 1 | E2016 |
| Platinum tipped forceps, stainless steel with welded platinum tips slightly milled on inner faces, length 130 mm, recommended for handling platinum | 1 | D7010 |

Tongs



| Description | Pack | Cat no. |
|--|------|---------|
| Platinum tipped tongs, length 200 mm, stainless steel with platinum shoes, for handling platinum | 1 | D7011 |
| Tongs, stainless steel, length 200 mm | 1 | E2046 |

Microanalytical Tools and Sundries (cntd.)

Micro-Spatula



| Description | Pack | Cat no. |
|--|------|---------|
| Micro-spatula, stainless steel, length 150 mm, width 3 mm, thin blade with turned up end, hexagonal stainless handle | 1 | E2000 |
| Micro Spatula | 1 | F5103 |

Micro-Dessicators

Ideal for use with platinum micro-crucibles and capsules. An optional platinum plate ensures the weight integrity of any hot platinumware placed on the surface.



| Description | Pack | Cat no. |
|--|------|---------|
| Micro-dessicator, 50 mm diameter, stainless perforated plate, borosilicate glass cover | 1 | E2007 |
| Borosilicate glass cover, spare for E2007 | 1 | E2048 |
| Perforated platinum plate, optional extra for E2007 | 1 | E2049 |
| Silica gel, granular, indicating, suitable for use with E2007 | 100g | B1044 |

Screw Cap Sample Vials

A range of sample vials in clear glass complete with white bakelite screw caps. Supplied in small quantities for convenience.

| Description | Pack | Cat no. |
|---------------------------------------|------|---------|
| Screw cap vial, 2 ml, 11.25 x 36 mm | 10 | E2082 |
| Screw cap vial, 3.5 ml, 12.75 x 46 mm | 10 | E2083 |
| Screw cap vial, 7 ml, 16.75 x 58 mm | 10 | E2084 |
| Screw cap vial, 10 ml, 17.25 x 67 mm | 10 | E2085 |
| Screw cap vial, 15 ml, 20.25 x 72 mm | 10 | E2086 |
| Screw cap vial, 30 ml, 23.25 x 96 mm | 10 | E2087 |

Snap Cap Sample Vials

A range of sample vials in clear glass complete with 22 mm polyethylene snap caps. Supplied in small quantities for convenience.

| Description | Pack | Cat no. |
|-------------------------------------|------|---------|
| Snap cap vial, 7 ml, 23.25 x 34 mm | 10 | E2088 |
| Snap cap vial, 10 ml, 24.5 x 41 mm | 10 | E2089 |
| Snap cap vial, 15 ml, 25.25 x 48 mm | 10 | E2090 |
| Snap cap vial, 20 ml, 26.25 x 60 mm | 10 | E2091 |
| Snap cap vial, 30 ml, 27.5 x 72 mm | 10 | E2092 |

Microanalytical Tools and Sundries (cntd.)

Miscellaneous Items

| Description | Pack | Cat no. |
|---|------|---------|
| Drill, 6.5 x 400 mm, tungsten carbide tipped, for drilling out copper from E2020 reduction tube, can be used with an electric drill or with our Tee bar E2042 | 1 | E2041 |
| Tee bar, for use with E2041 drill | 1 | E2042 |
| Mole grips, miniature, for simple, inexpensive crimping of liquid samples in smooth wall capsules | 1 | E2043 |
| Tubing, stainless steel, 2 mm outside diameter | 5 m | E2033 |
| Tubing, PTFE, 2 mm outside diameter | 3 m | E2030 |
| Multiwell plate, 96 x 0.37 ml cells, flat bottom | 1 | E2044 |
| Multiwell plate, 96 x 0.37 ml cells, round bottom | 1 | E2062 |
| Multiwell plate, 48 x 1.5 ml cells, flat bottom | 1 | E2063 |
| Multiwell plate, 24 x 3.4 ml cells, flat bottom | 1 | E2064 |
| Multiwell plate, 12 x 6.9 ml cells, flat bottom | 1 | E2065 |
| Multiwell plate, 6 x 16.8 ml cells, flat bottom | 1 | E2066 |



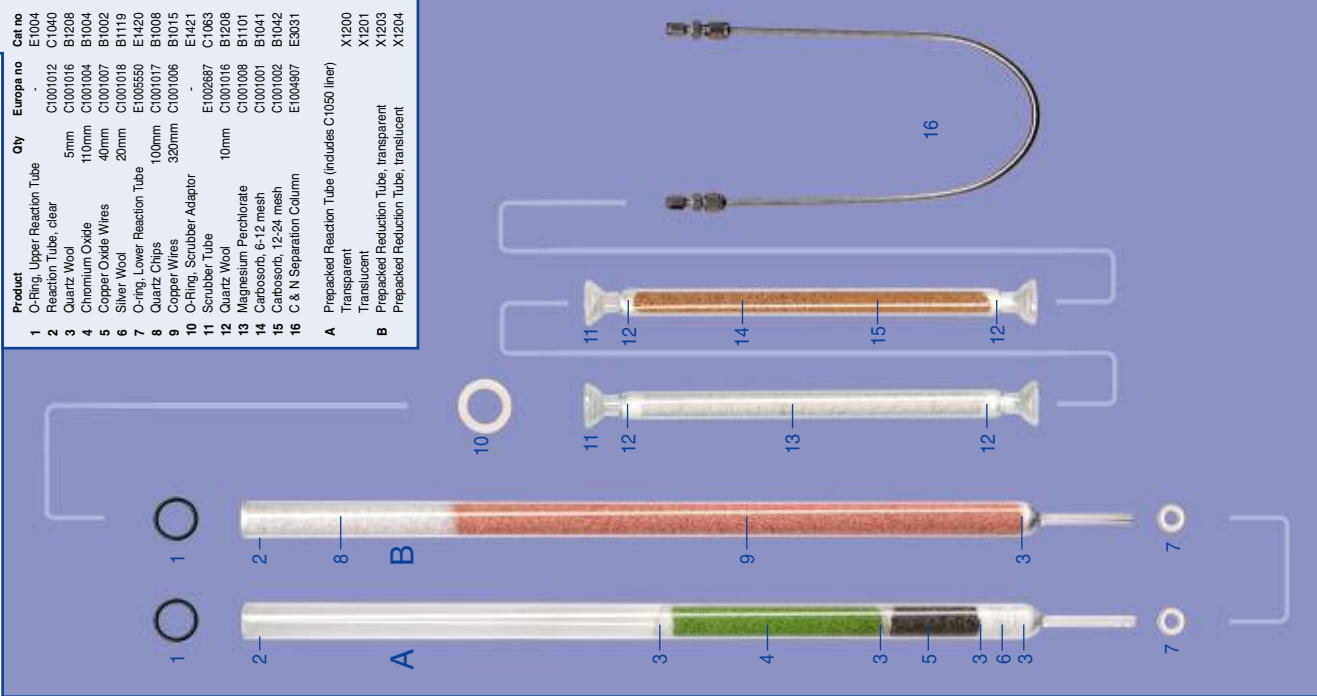


Configuration Guide

CHNOS Analysis

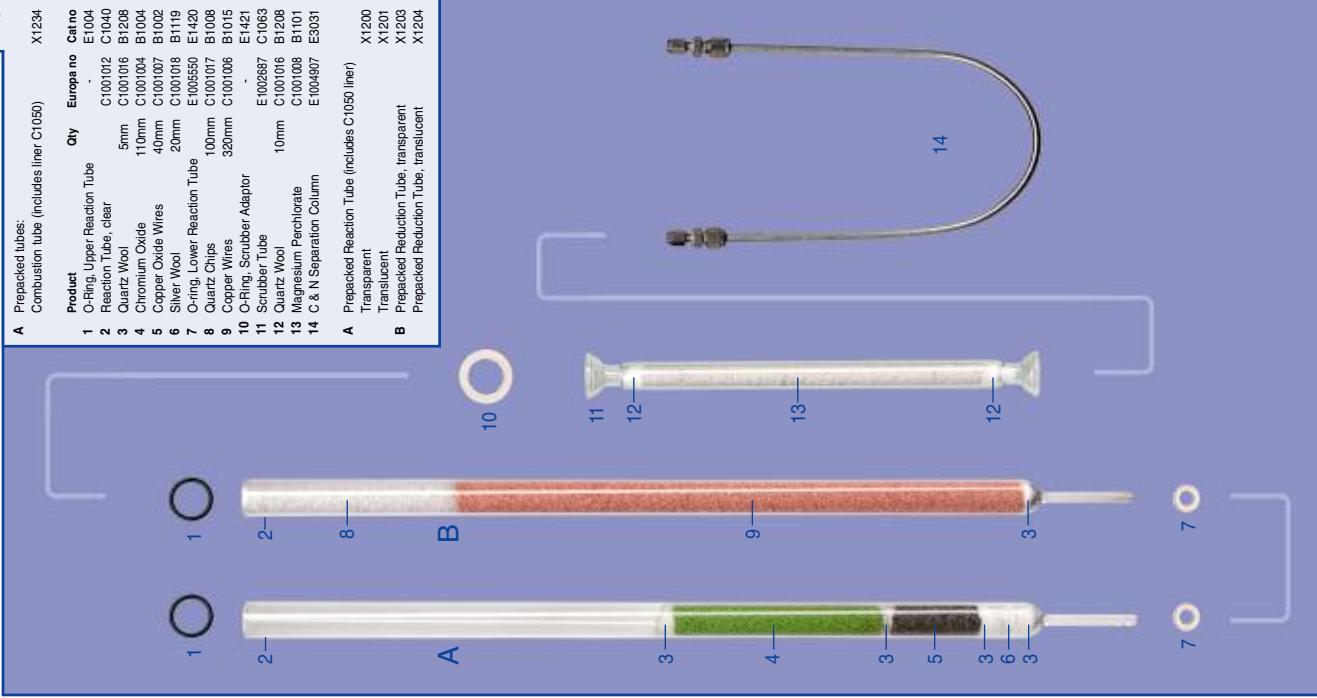
N DETERMINATION

| Product | Qty | Europa no | Cat no |
|-------------------------------|-------|-----------|--------|
| 1 O-Ring, Upper Reaction Tube | | C1001012 | E1004 |
| 2 Reaction Tube, clear | 5mm | C1001016 | B1208 |
| 3 Quartz Wool | 110mm | C1001004 | B1004 |
| 4 Chromium Oxide | 40mm | C1001007 | B1002 |
| 5 Copper Oxide Wires | 20mm | C1001018 | B1119 |
| 6 Silver Wool | 100mm | E1005550 | E1420 |
| 7 O-Ring, Lower Reaction Tube | 320mm | C1001016 | B1015 |
| 8 Quartz Chips | | C1001017 | B1008 |
| 9 Copper Wires | | C1001006 | B1015 |
| 10 O-Ring, Scrubber Adaptor | | E1002897 | E1421 |
| 11 Scrubber Tube | 10mm | C1001016 | B1208 |
| 12 Quartz Wool | | C1001008 | B1101 |
| 13 Magnesium Perchlorate | | C1001001 | B1041 |
| 14 Carbosorb 6-12 mesh | | C1001002 | B1042 |
| 15 Carbosorb 12-24 mesh | | C1001002 | B1042 |
| 16 C & N Separation Column | | E1004807 | E3031 |



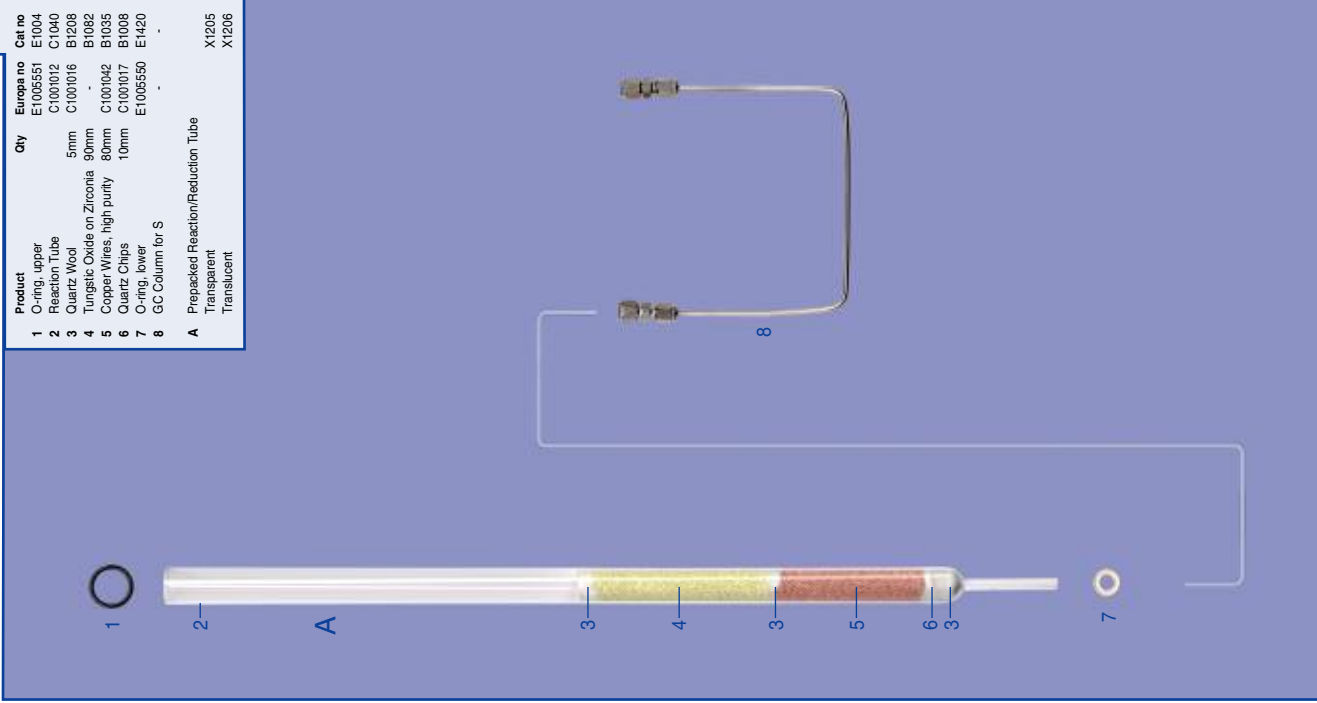
N & C DETERMINATION

| Product | Qty | Europa no | Cat no |
|---|-------|-----------|--------|
| A Prepacked tubes: Combustion tube (includes liner C1050) | | X1234 | X1204 |
| 1 O-Ring, Upper Reaction Tube | | C1001012 | C1040 |
| 2 Reaction Tube, clear | 5mm | C1001016 | B1208 |
| 3 Quartz Wool | 110mm | C1001004 | B1004 |
| 4 Chromium Oxide | 40mm | C1001007 | B1002 |
| 5 Copper Oxide Wires | 20mm | C1001018 | B1119 |
| 6 Silver Wool | 100mm | E1005550 | E1420 |
| 7 O-Ring, Lower Reaction Tube | 320mm | C1001016 | B1015 |
| 8 Quartz Chips | | C1001017 | B1008 |
| 9 Copper Wires | | C1001006 | B1015 |
| 10 O-Ring, Scrubber Adaptor | | E1002897 | E1421 |
| 11 Scrubber Tube | 10mm | C1001016 | B1208 |
| 12 Quartz Wool | | C1001008 | B1101 |
| 13 Magnesium Perchlorate | | C1001001 | B1041 |
| 14 C & N Separation Column | | E1004807 | E3031 |



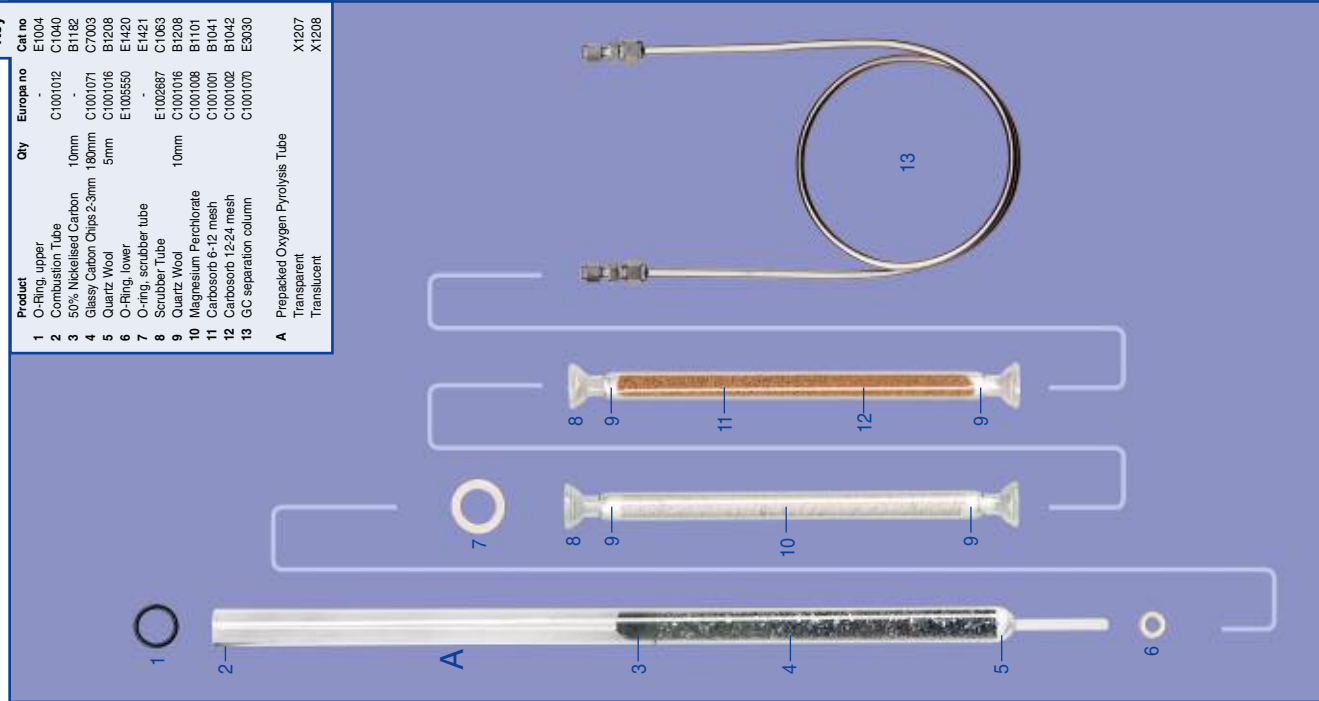
S DETERMINATION

| Product | Qty | Europa no | Cat no |
|------------------------------|------|-----------|--------|
| 1 O-ring, upper | | E1005551 | E1004 |
| 2 Reaction Tube | | C1001012 | C1040 |
| 3 Quartz Wool | 5mm | C1001016 | B1208 |
| 4 Tungstic Oxide on Zirconia | 90mm | - | B1082 |
| 5 Copper Wires, high purity | 80mm | C1001042 | B1035 |
| 6 Quartz Chips | 10mm | C1001017 | B1008 |
| 7 O-ring, lower | | E1005550 | E1420 |
| 8 GC Column for S | | - | - |



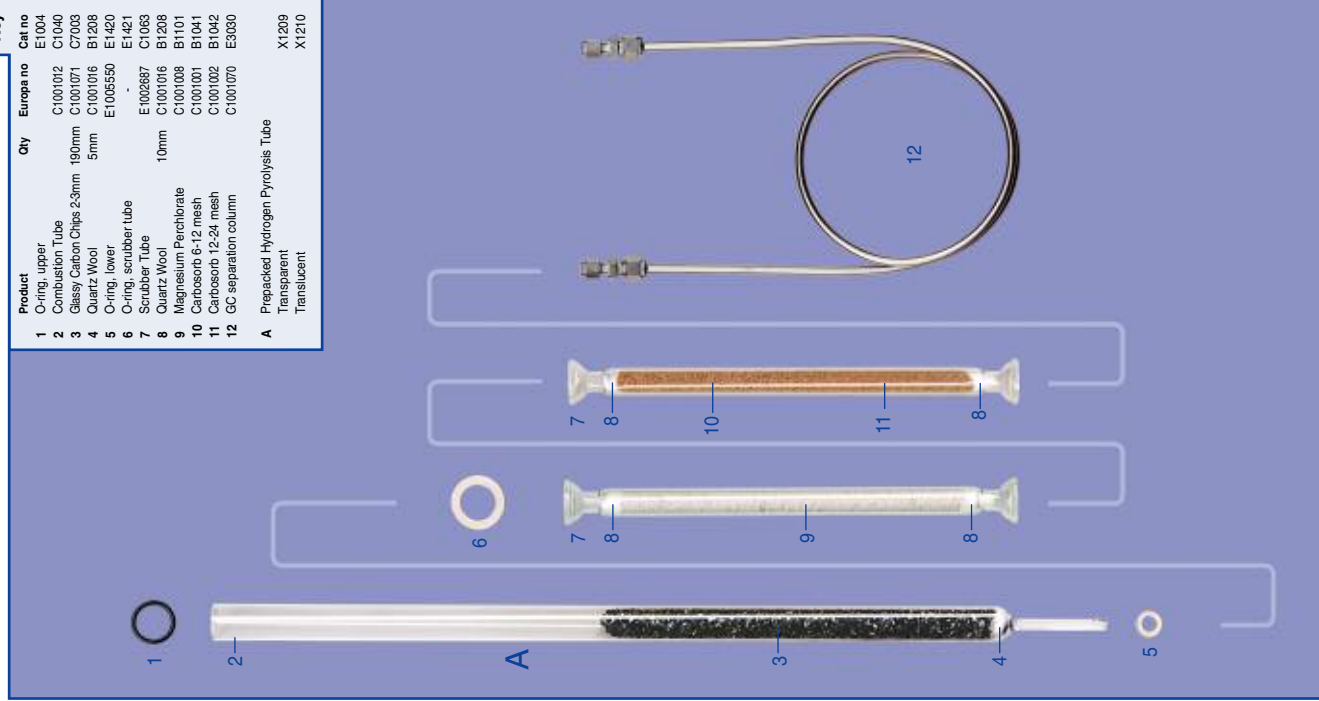
O PYROLYSIS

| Product | Qty | Europa no | Cat no | Key |
|----------------------------------|-------|-----------|--------|----------------|
| 1 O-Ring, upper | 10mm | C100102 | E1004 | |
| 2 Combustion Tube | - | C1040 | C1040 | |
| 3 50% Nickelised Carbon | 180mm | B1182 | C7003 | |
| 4 Glassy Carbon Chips 2.3mm | 5mm | C1001016 | B1208 | |
| 5 Quartz Wool | - | E1005550 | E1420 | |
| 6 O-Ring, lower | - | - | E1421 | |
| 7 O-Ring, scrubber tube | - | E1002887 | C1063 | |
| 8 Scrubber Tube | 10mm | C1001016 | B1208 | |
| 9 Quartz Wool | - | C1001008 | B1101 | |
| 10 Magnesium Perchlorate | - | C1001001 | B1041 | |
| 11 Carbosorb 6-12 mesh | - | C1001002 | B1042 | |
| 12 Carbosorb 12-24 mesh | - | C1001070 | E3030 | |
| 13 GC separation column | - | - | - | |
| A Prepared Oxygen Pyrolysis Tube | - | - | - | X1207 X1208 |



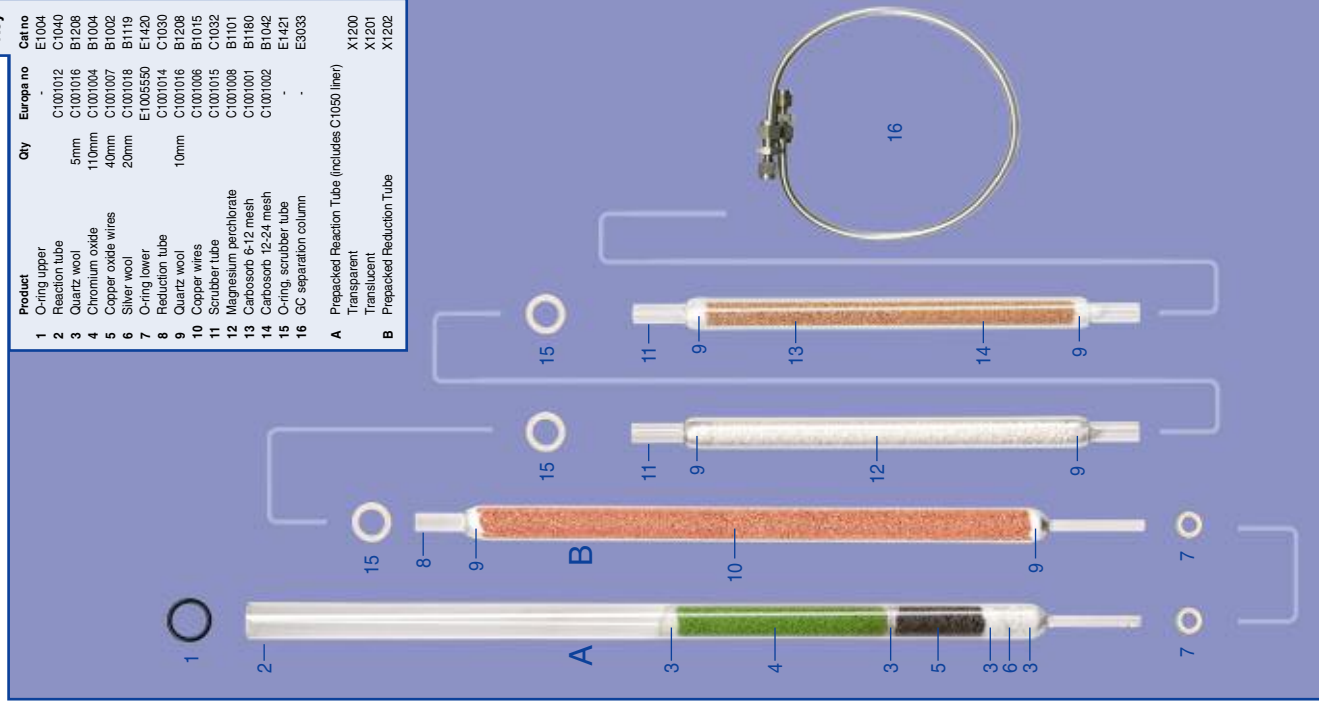
H PYROLYSIS

| Product | Qty | Europa no | Cat no | Key |
|------------------------------------|-------|-----------|--------|----------------|
| 1 O-Ring, upper | - | C100102 | E1004 | |
| 2 Combustion Tube | 190mm | C1001071 | C7003 | |
| 3 Glassy Carbon Chips 2.3mm | 5mm | C1001016 | B1208 | |
| 4 Quartz Wool | - | E1005550 | E1420 | |
| 5 O-Ring, lower | - | - | E1421 | |
| 6 O-Ring, scrubber tube | - | E1002887 | C1063 | |
| 7 Scrubber Tube | 10mm | C1001016 | B1208 | |
| 8 Quartz Wool | - | C1001008 | B1101 | |
| 9 Magnesium Perchlorate | - | C1001001 | B1041 | |
| 10 Carbosorb 6-12 mesh | - | C1001002 | B1042 | |
| 11 Carbosorb 12-24 mesh | - | C1001070 | E3030 | |
| 12 GC separation column | - | - | - | |
| A Prepared Hydrogen Pyrolysis Tube | - | - | - | X1209 X1210 |



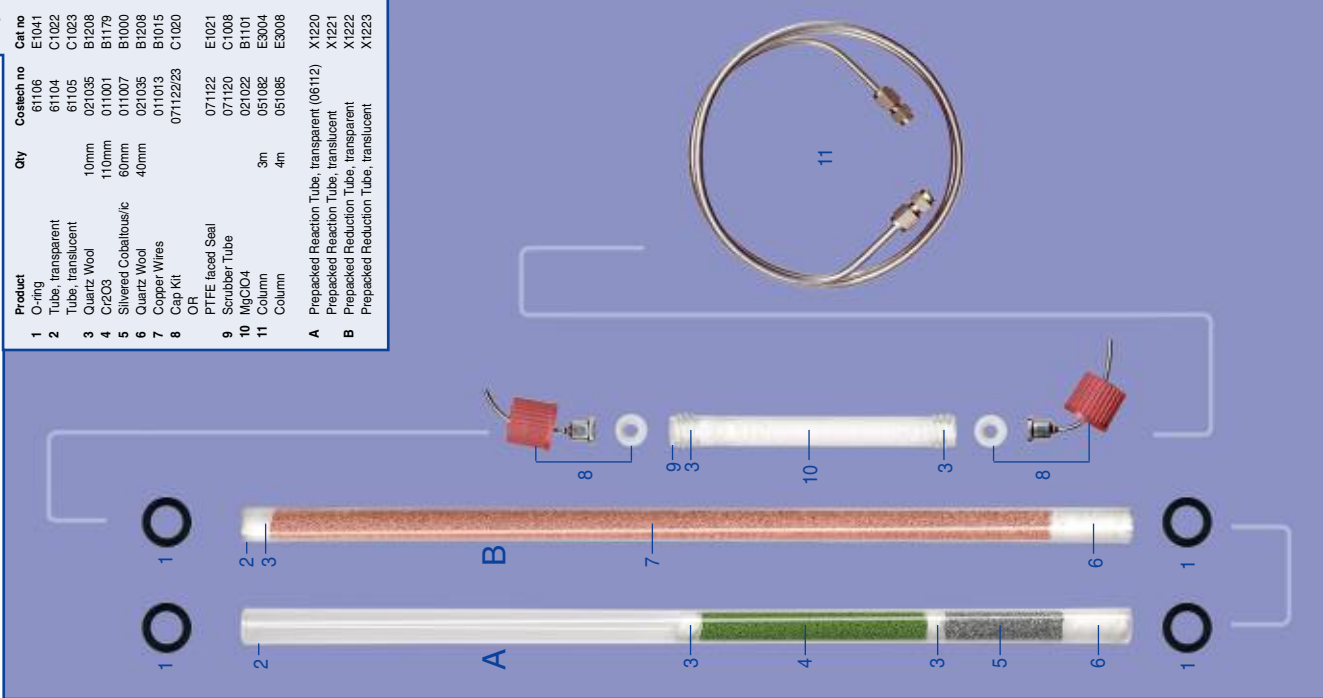
EUROPA ROBOREP CN

| Product | Qty | Europa no | Cat no | Key |
|---|-------|-----------|--------|-------------------------|
| 1 O-ring, upper | - | C1001012 | E1004 | |
| 2 Reaction tube | 5mm | C1001016 | B1208 | |
| 3 Quartz wool | 110mm | C1001004 | B1004 | |
| 4 Chromium oxide | 40mm | C1001007 | B1002 | |
| 5 Copper oxide wires | 20mm | C1001018 | B1119 | |
| 6 Silver wool | - | E1005550 | E1420 | |
| 7 O-ring, lower | - | C1001014 | C1030 | |
| 8 Reduction tube | 10mm | C1001016 | B1208 | |
| 9 Quartz wool | - | C1001006 | B1015 | |
| 10 Copper wires | - | C1001015 | C1032 | |
| 11 Scrubber tube | - | C1001008 | B1101 | |
| 12 Magnesium perchlorate | - | C1001001 | B1180 | |
| 13 Carbosorb 6-12 mesh | - | C1001001 | B1042 | |
| 14 Carbosorb 12-24 mesh | - | C1001002 | E1421 | |
| 15 O-ring, scrubber tube | - | - | E3033 | |
| 16 GC separation column | - | - | - | |
| A Prepared Reaction Tube (includes C1050 liner) | - | - | - | X1200 X1201 X1202 |
| B Prepared Reduction Tube | - | - | - | |



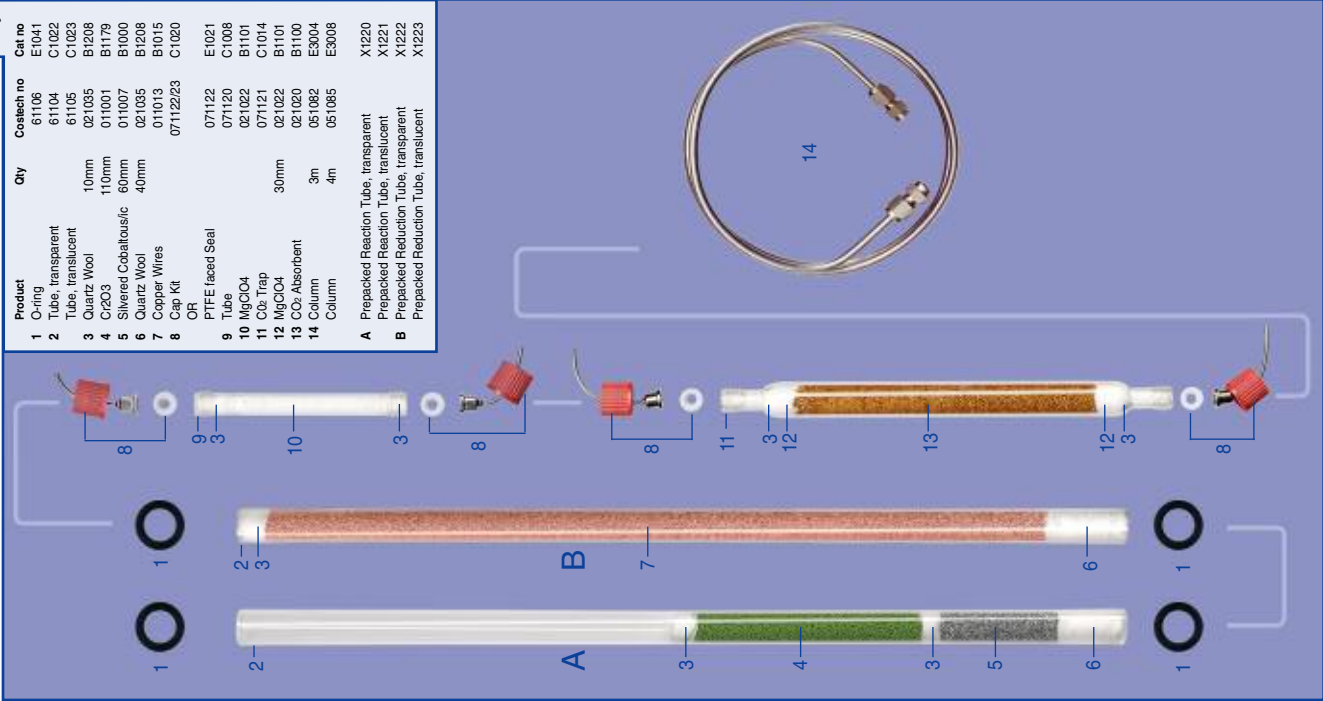
CN DETERMINATION

| Key | |
|-------------------------|--|
| Product | Qty |
| 1 O-ring | 10mm |
| 2 Tube, transparent | 10mm |
| 3 Quartz Wool | 110mm |
| 4 Cr2O3 | 60mm |
| 5 Silvered Cobaltous/ic | 40mm |
| 6 Quartz Wool | 071122/23 |
| 7 Copper Wires | OR |
| 8 Cap Kit | 071122 |
| | PTFE faced Seal |
| 9 Scrubber Tube | 071120 |
| 10 MgClO4 | 021022 |
| 11 Column | 051082 |
| | 051085 |
| A | Prepacked Reaction Tube, transparent (06112) |
| B | Prepacked Reaction Tube, transparent |
| | Prepacked Reduction Tube, transparent |
| | Prepacked Reduction Tube, translucent |



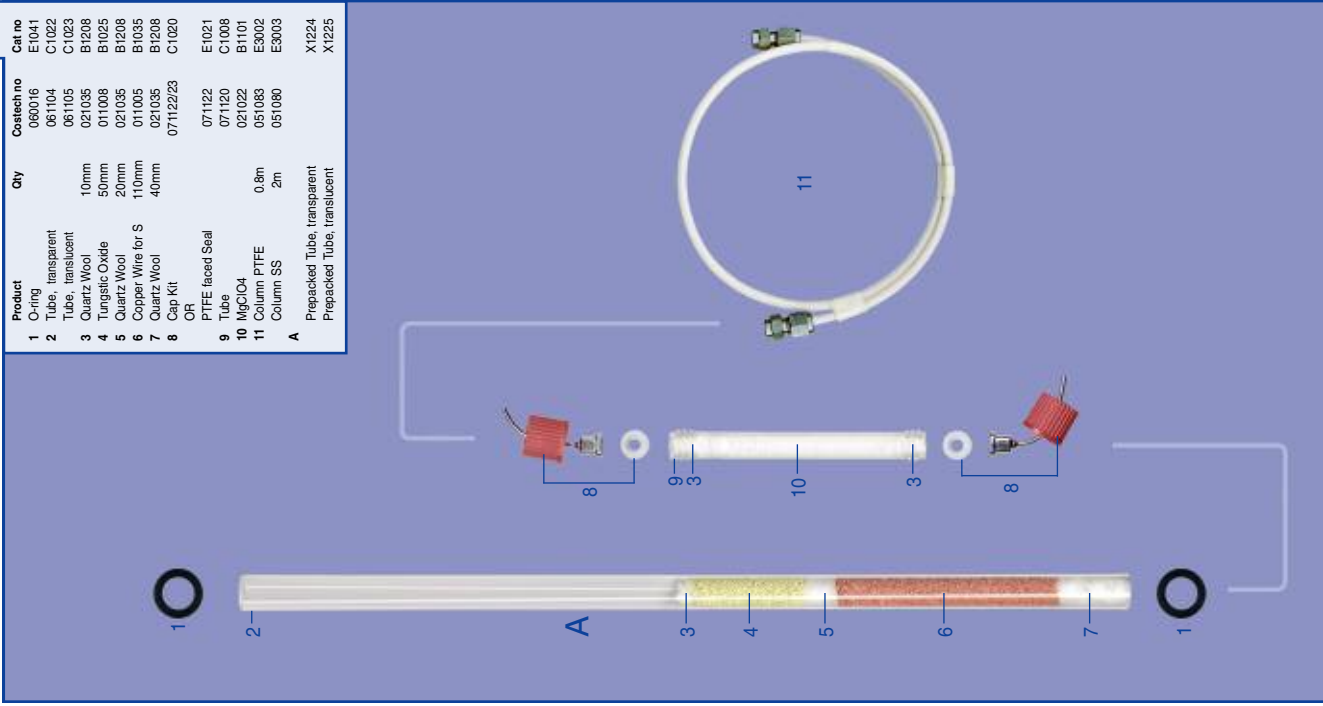
N DETERMINATION

| Key | |
|-------------------------|---------------------------------------|
| Product | Qty |
| 1 O-ring | 10mm |
| 2 Tube, transparent | 10mm |
| 3 Quartz Wool | 110mm |
| 4 Cr2O3 | 60mm |
| 5 Silvered Cobaltous/ic | 40mm |
| 6 Quartz Wool | 071122/23 |
| 7 Copper Wires | OR |
| 8 Cap Kit | 071122 |
| | PTFE faced Seal |
| 9 Tube | 071120 |
| 10 MgClO4 | 021022 |
| 11 Co-Trap | 071121 |
| 12 MgClO4 | 021022 |
| 13 Coz Absorbent | 021020 |
| 14 Column | 051082 |
| | 051085 |
| A | Prepacked Reaction Tube, transparent |
| B | Prepacked Reaction Tube, translucent |
| | Prepacked Reduction Tube, transparent |
| | Prepacked Reduction Tube, translucent |



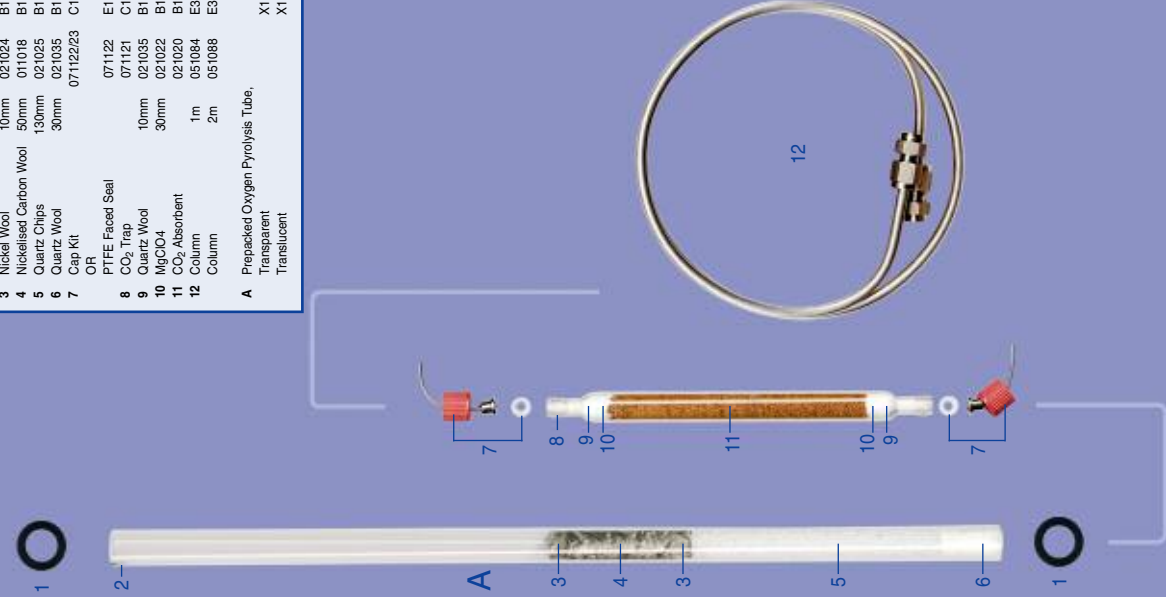
NCS/S DETERMINATION

| Key | |
|---------------------|-----------------------------|
| Product | Qty |
| 1 O-ring | 10mm |
| 2 Tube, transparent | 10mm |
| 3 Quartz Wool | 50mm |
| 4 Tungstic Oxide | 20mm |
| 5 Quartz Wool | 110mm |
| 6 Copper Wire for S | 40mm |
| 7 Quartz Wool | 071122/23 |
| 8 Cap Kit | OR |
| | PTFE faced Seal |
| 9 Tube | 071120 |
| 10 MgClO4 | 021022 |
| 11 Column PTFE | 051083 |
| | 051080 |
| A | Prepacked Tube, transparent |
| | Prepacked Tube, translucent |



O PYROLYSIS

| Key | | | |
|---|-------|------------|--------|
| Product | Qty | Costech no | Cat no |
| 1 O-ring | | 061106 | E1041 |
| 2 Tube, clear | | 061104 | C1022 |
| 3 Tube, opaque | | 061105 | C1023 |
| 4 Nickelised Carbon Wool | 10mm | 021024 | B1007 |
| 5 Quartz Chips | 50mm | 011018 | B1242 |
| 6 Quartz Wool | 130mm | 021025 | B1008 |
| 7 Cap Kit | 30mm | 021035 | B1208 |
| OR | | 071122/23 | C1020 |
| PTFE Faced Seal | | 071122 | E1021 |
| 8 CO ₂ Trap | | 071121 | C1014 |
| 9 Quartz Wool | 10mm | 021035 | B1208 |
| 10 MgO/Al ₂ O ₃ | 30mm | 021022 | B1101 |
| 11 CO ₂ Absorbent | | 021020 | B1100 |
| 12 Column | 1m | 051084 | E3001 |
| Column | 2m | 051088 | E3016 |
| A Prepared Oxygen Pyrolysis Tube, Transparent | | | X1227 |
| Translucent | | | X1228 |



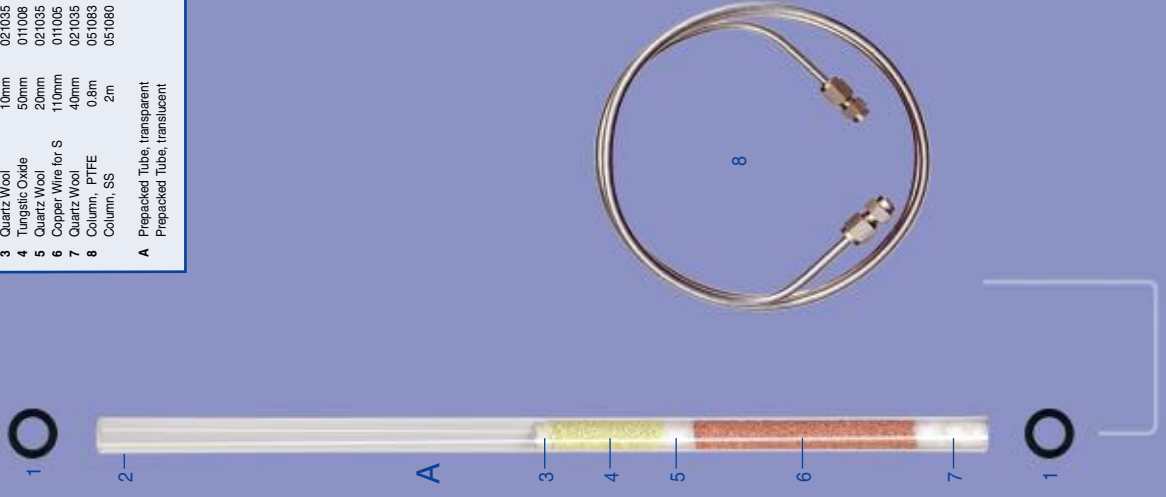
NCH DETERMINATION

| Key | | | |
|---|-------|------------|--------|
| Product | Qty | Costech no | Cat no |
| 1 O-ring | | 061106 | E1041 |
| 2 Tube, transparent | | 061104 | C1022 |
| 3 Quartz Wool | 10mm | 061105 | C1023 |
| 4 Cr2O3 | 110mm | 021035 | B1208 |
| 5 Silvered Cobaltous/c | 60mm | 011001 | B1179 |
| 6 Quartz Wool | 40mm | 011007 | B1000 |
| 7 Copper Wires | | 021035 | B1208 |
| 8 Column | 2m | 011013 | B1015 |
| | | 051081 | E3000 |
| A Prepared Reaction Tube, transparent (06112) | | | X1220 |
| Prepacked Reaction Tube, translucent | | | X1221 |
| B Prepared Reduction Tube, transparent | | | X1222 |
| Prepacked Reduction Tube, translucent | | | X1223 |



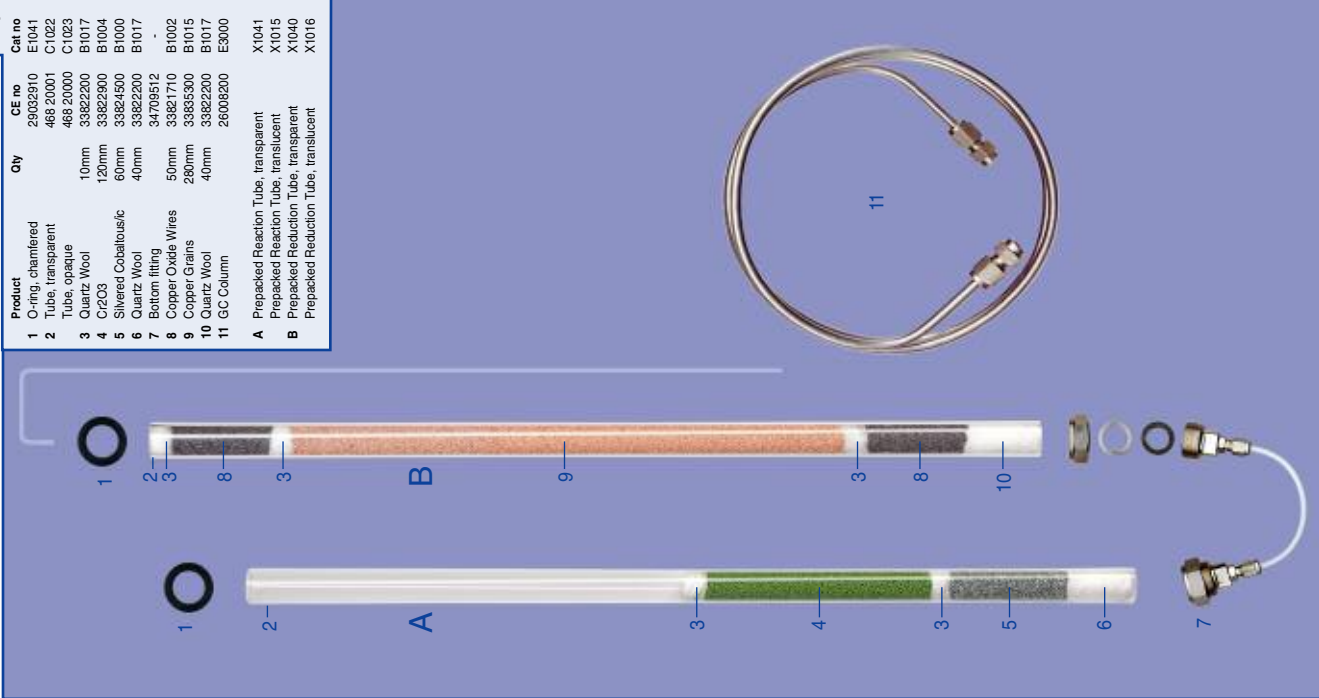
NCHS DETERMINATION

| Key | | | |
|------------------------------|-------|------------|--------|
| Product | Qty | Costech no | Cat no |
| 1 O-ring | | 060016 | E1041 |
| 2 Tube, transparent | | 061104 | C1022 |
| 3 Quartz Wool | 10mm | 061105 | C1023 |
| 4 Tungstic Oxide | 50mm | 011008 | B1208 |
| 5 Quartz Wool | 20mm | 021035 | B1208 |
| 6 Copper Wire for S | 110mm | 011005 | B1035 |
| 7 Quartz Wool | 40mm | 021035 | B1208 |
| 8 Column, PTFE | 0.8m | 051083 | E3002 |
| Column, SS | 2m | 051080 | E3003 |
| A Prepared Tube, transparent | | | X1224 |
| Prepacked Tube, translucent | | | X1225 |



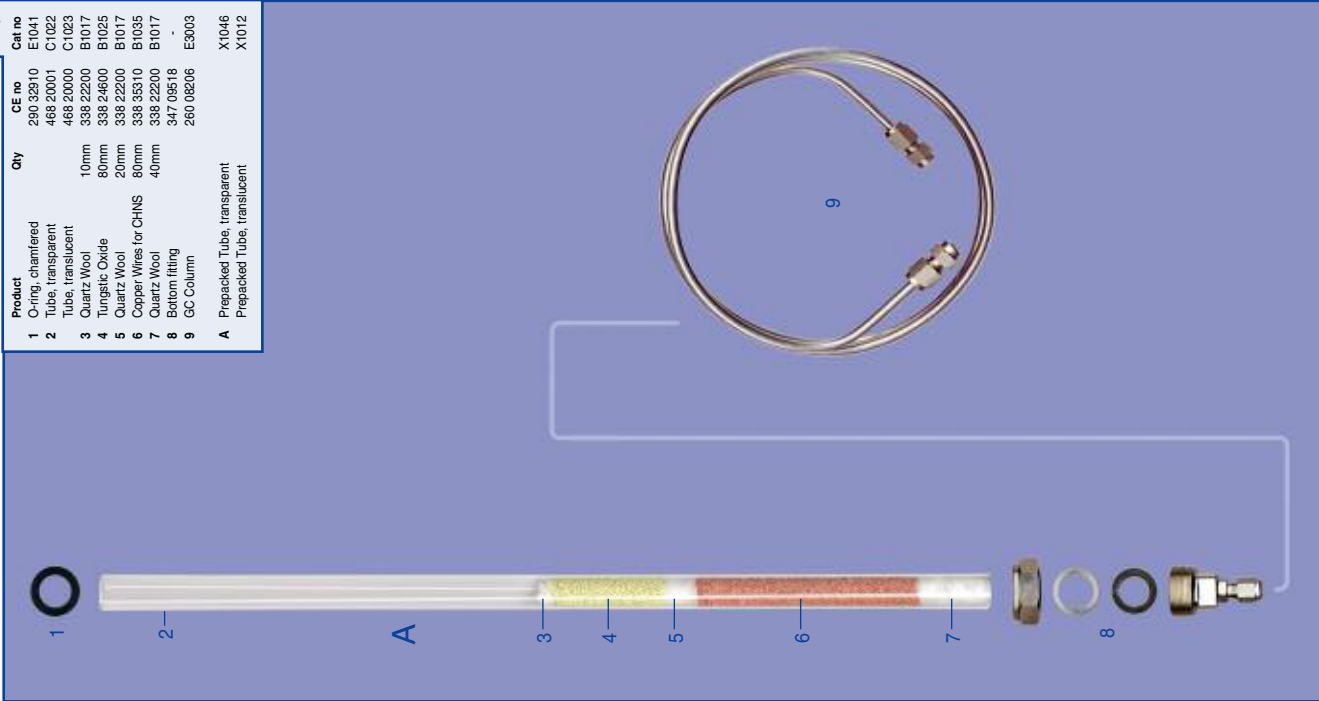
CHN DETERMINATION

| | | Key | |
|--|-------|------------|--------|
| Product | Qty | CE no | Cat no |
| 1 O-ring, chamfered | | 290 232910 | E1041 |
| 2 Tube, transparent | | 468 20001 | C1022 |
| 3 Tube, opaque | | 468 20000 | C1023 |
| 4 Cr2O3 | 10mm | 33822200 | B1017 |
| 5 Shered Cobaltousic | 120mm | 33822300 | E1004 |
| 6 Quartz Wool | 60mm | 33824500 | E1000 |
| 7 Bottom fitting | 40mm | 33822200 | B1017 |
| 8 Copper Oxide Wires | 50mm | 34709512 | - |
| 9 Copper Grains | 280mm | 33821710 | B1002 |
| 10 Quartz Wool | 40mm | 33835300 | B1015 |
| 11 GC Column | 40mm | 33822200 | B1017 |
| | | 26008200 | E3000 |
| A Prepacked Reaction Tube, transparent | | | X1041 |
| B Prepacked Reaction Tube, translucent | | | X1015 |
| C Prepacked Reduction Tube, transparent | | | X1040 |
| D Prepacked Reduction Tube, translucent | | | X1016 |



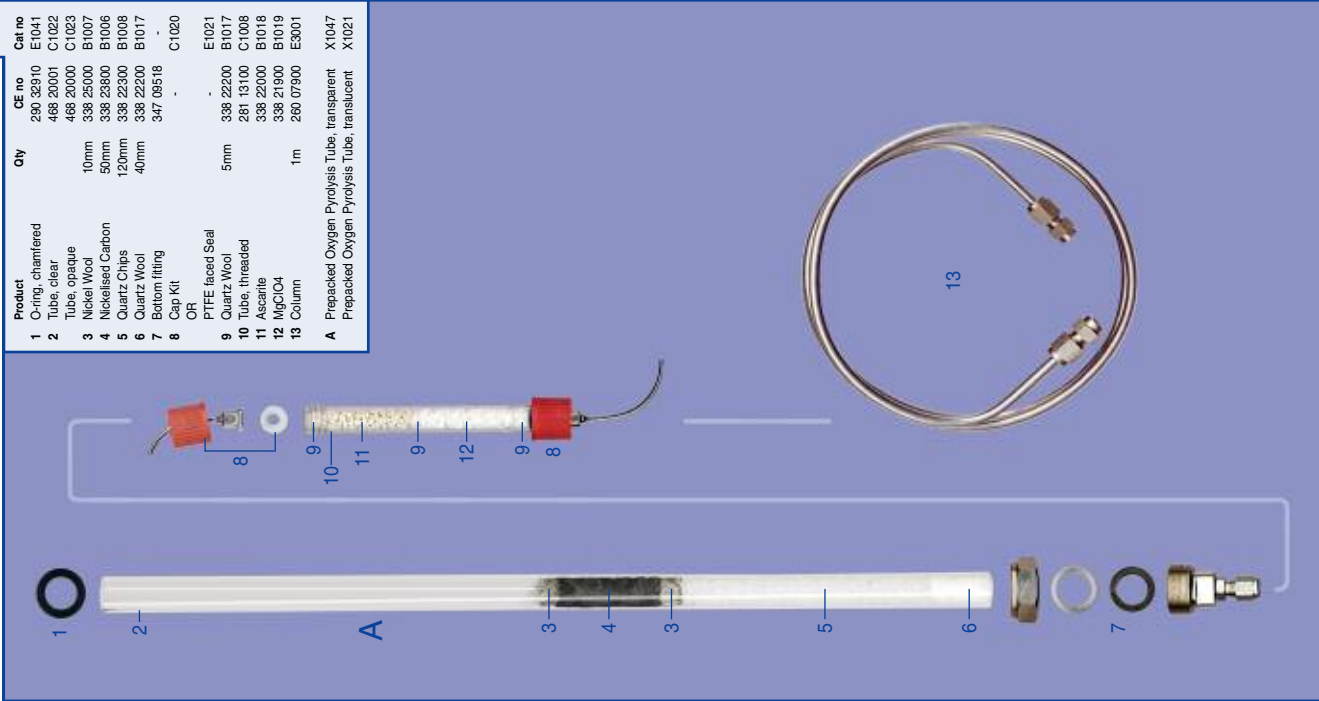
CHNS DETERMINATION

| | | Key | |
|--------------------------------------|-----------|-----------|--------|
| Product | Qty | CE no | Cat no |
| 1 O-ring, chamfered | | 290 32910 | E1041 |
| 2 Tube, transparent | | 468 20001 | C1022 |
| 3 Quartz Wool | 10mm | 338 22000 | C1023 |
| 4 Tungstic Oxide | 80mm | 338 21600 | B1017 |
| 5 Quartz Wool | 338 22200 | B1025 | |
| 6 Copper Wires for CHNS | 80mm | 338 35310 | B1035 |
| 7 Quartz Wool | 40mm | 338 22200 | B1017 |
| 8 Bottom fitting | | 347 09518 | - |
| 9 GC Column | | 260 08206 | E3003 |
| A Prepacked Tube, transparent | | | X1046 |
| B Prepacked Tube, translucent | | | X1012 |



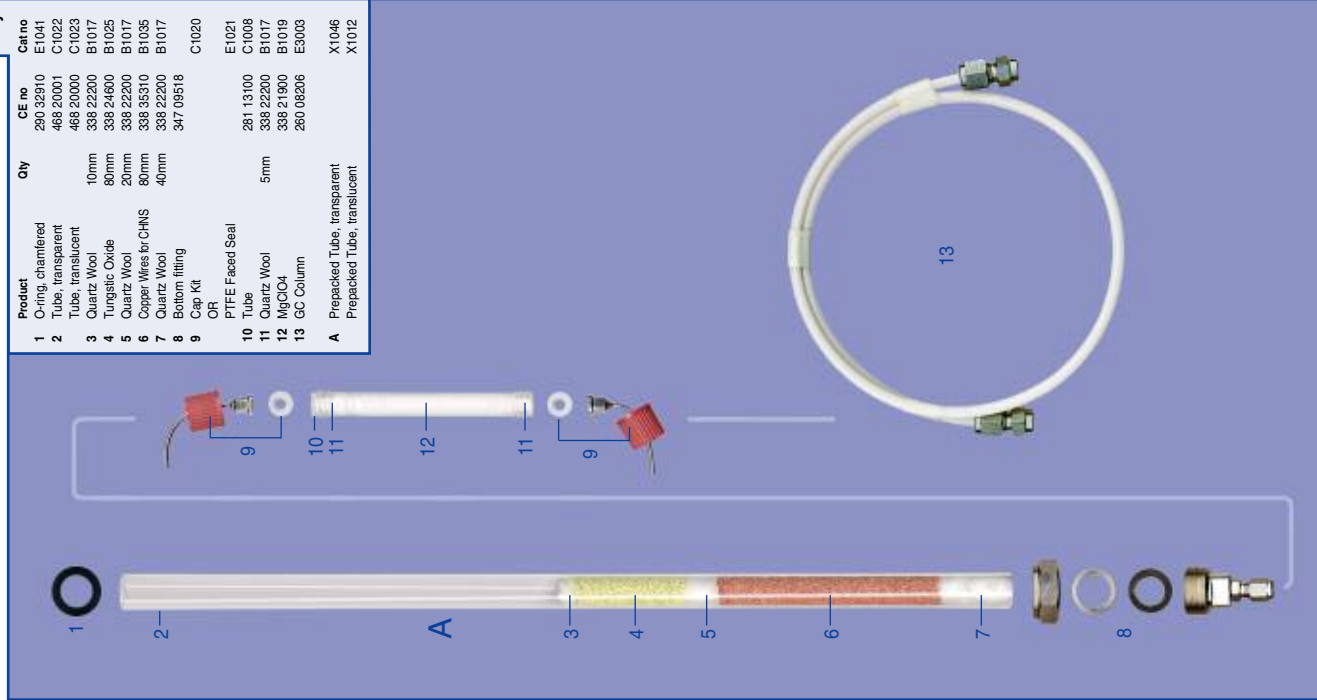
O DETERMINATION

| | | Key | |
|---|-------|------------|--------|
| Product | Qty | CE no | Cat no |
| 1 O-ring, chamfered | | 290 232910 | E1041 |
| 2 Tube, clear | | 468 20001 | C1022 |
| 3 Tube, opaque | | 468 20000 | C1023 |
| 4 Nickelised Carbon | 10mm | 338 25000 | B1007 |
| 5 Quartz Chips | 50mm | 338 23800 | B1006 |
| 6 Quartz Wool | 120mm | 338 22300 | B1008 |
| 7 Bottom fitting | 40mm | 338 22200 | B1017 |
| 8 Cap Kit | | 347 09518 | - |
| 9 OR | | - | C1020 |
| 10 PTFE faced Seal | | - | E1021 |
| 11 Quartz Wool | 5mm | 338 22200 | B1017 |
| 12 Tube, threaded | | 261 13100 | C1008 |
| 13 Ascarite | | 338 22000 | B1018 |
| 14 MgClO4 | | 338 21900 | B1019 |
| 15 Column | 1m | 260 07900 | E3001 |
| A Prepacked Oxygen Pyrolysis Tube, transparent | | | X1047 |
| B Prepacked Oxygen Pyrolysis Tube, translucent | | | X1021 |



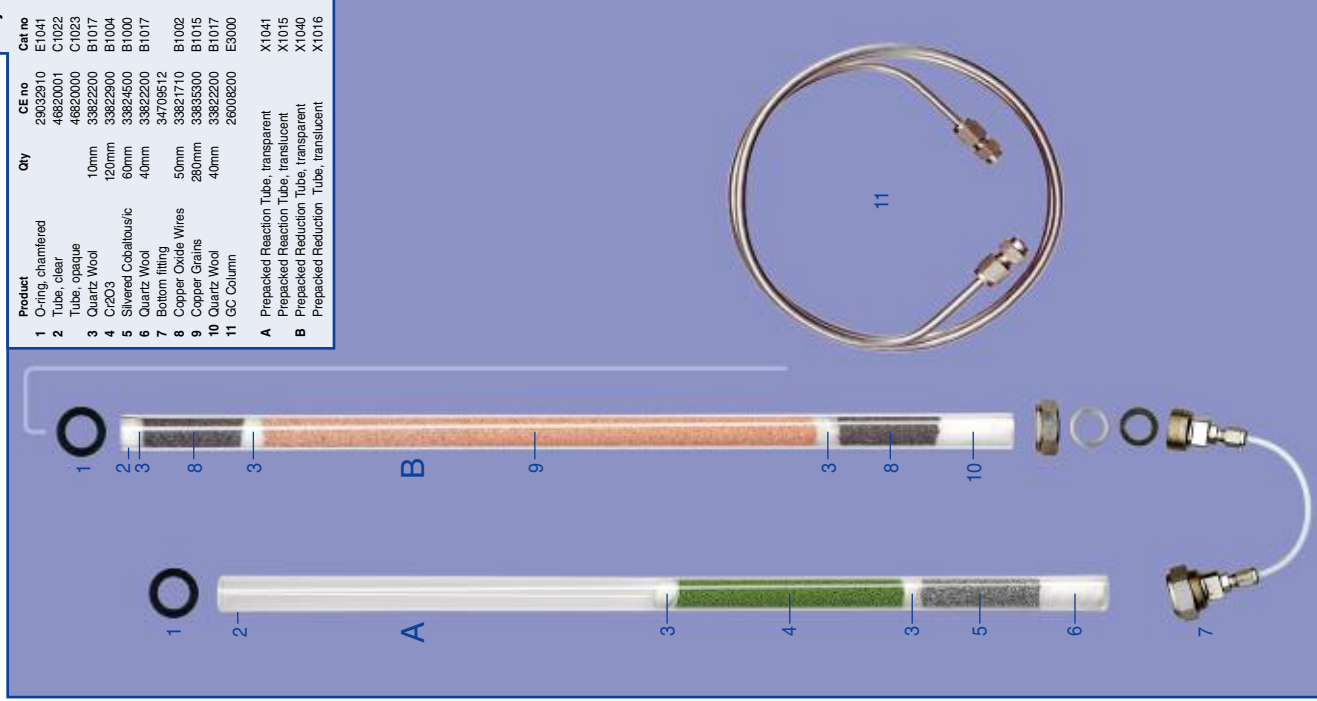
S DETERMINATION

| Product | Qty | CE no | Cat no | Key |
|-------------------------------|------|-----------|--------|-----|
| 1 O-ring, chamfered | | 290 32910 | E1041 | |
| 2 Tube, transparent | | 468 20001 | C1022 | |
| 3 Quartz Wool | 10mm | 338 22200 | B1017 | |
| 4 Tungstic Oxide | 80mm | 338 24600 | B1025 | |
| 5 Quartz Wool | 20mm | 338 22200 | B1017 | |
| 6 Copper Wires for CHNS | 80mm | 338 35310 | B1035 | |
| 7 Quartz Wool | 40mm | 338 22200 | B1017 | |
| 8 Bottom fitting | | 347 09518 | C1020 | |
| 9 Cap Kit | | | | |
| OR | | | | |
| 10 PTFE Faced Seal | | 281 13100 | E1021 | |
| 11 Quartz Wool | 5mm | 338 22200 | B1017 | |
| 12 MgClO ₄ | | 338 21900 | B1019 | |
| 13 GC Column | | 260 08206 | E3003 | |
| A Prepacked Tube, transparent | | | X1046 | |
| B Prepacked Tube, translucent | | | X1012 | |



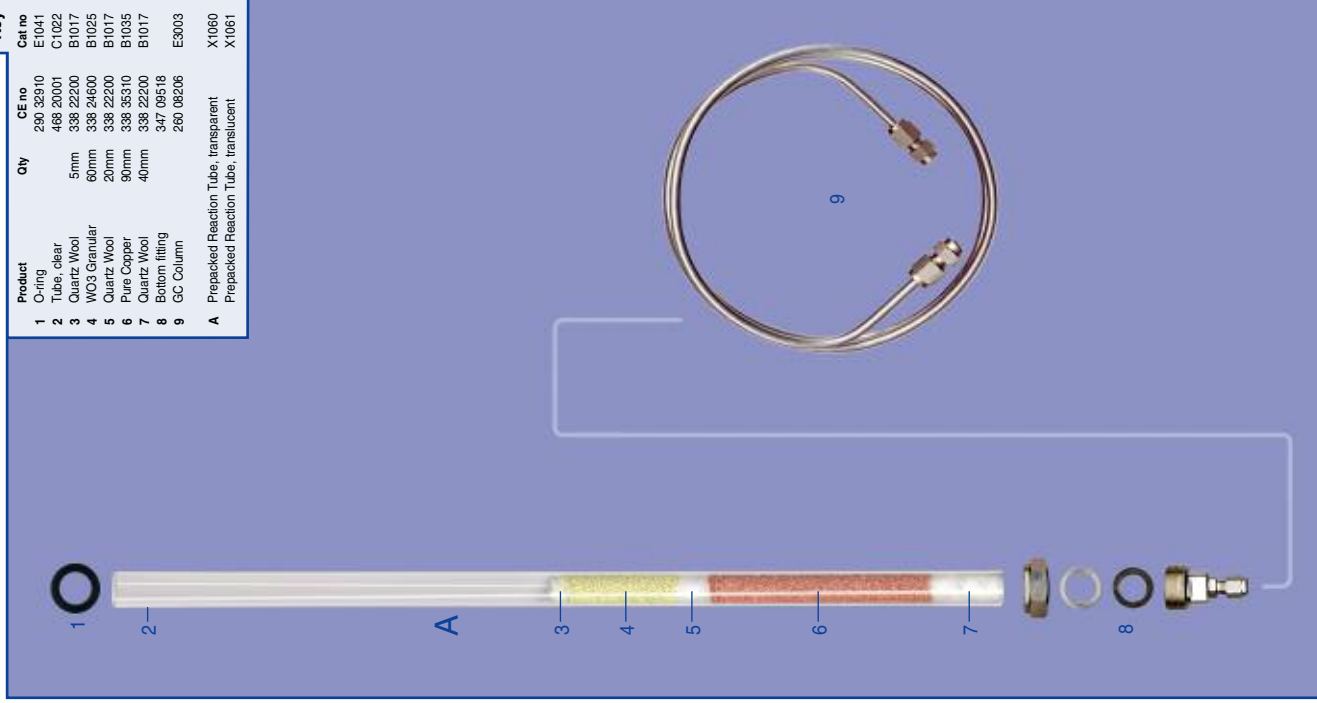
CHN DETERMINATION

| Product | Qty | CE no | Cat no | Key |
|---|-------|----------|--------|-----|
| 1 O-ring, chamfered | | 29032910 | E1041 | |
| 2 Tube, clear | | 46820001 | C1022 | |
| 3 Quartz Wool | 10mm | 33822200 | B1017 | |
| 4 Cr2O3 | 120mm | 33822900 | B1004 | |
| 5 Silvered Cobaltous/ic | 60mm | 33824600 | B1000 | |
| 6 Quartz Wool | 40mm | 33822200 | B1017 | |
| 7 Bottom fitting | | 34709512 | B1017 | |
| 8 Copper Oxide Wires | 50mm | 33821710 | B1002 | |
| 9 Copper Grains | 280mm | 33835300 | B1015 | |
| 10 Quartz Wool | 40mm | 33822200 | B1017 | |
| 11 GC Column | | 26008200 | E3000 | |
| A Prepacked Reaction Tube, transparent | | | X1041 | |
| B Prepacked Reaction Tube, translucent | | | X1015 | |
| C Prepacked Reduction Tube, transparent | | | X1040 | |
| D Prepacked Reduction Tube, translucent | | | X1016 | |



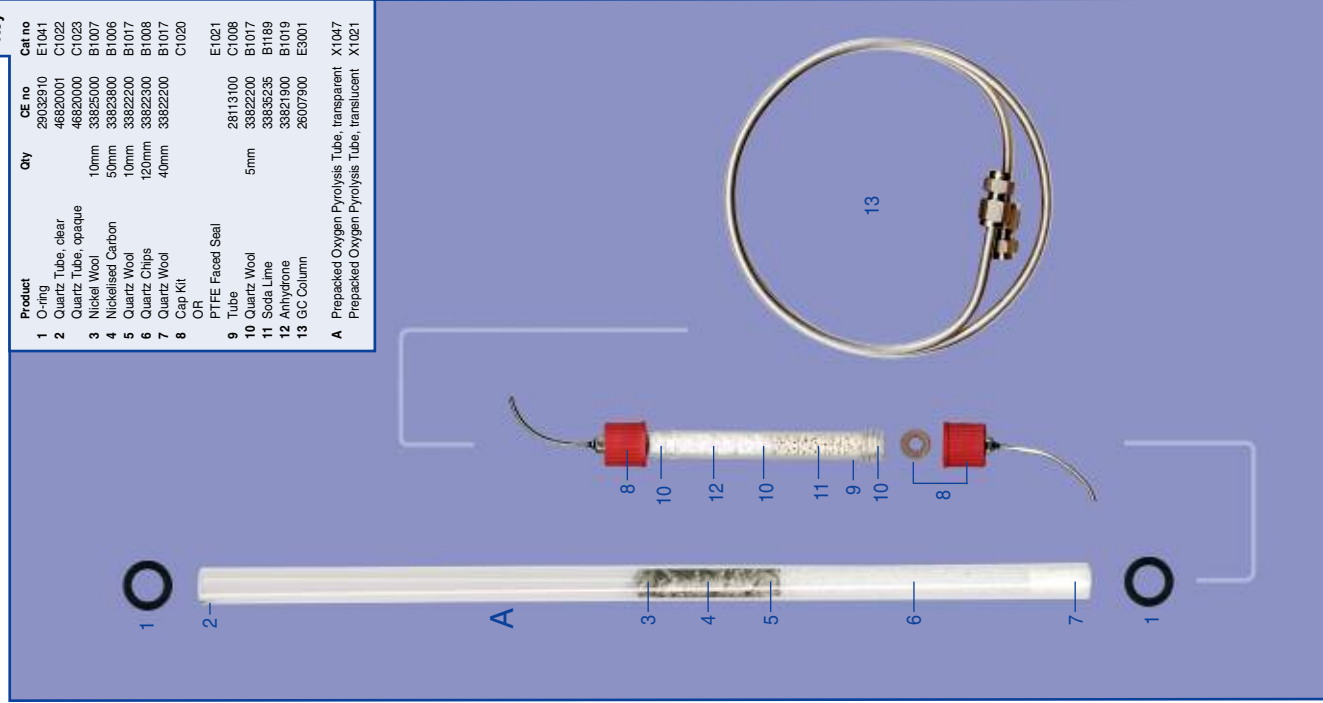
CHNS DETERMINATION

| Product | Qty | CE no | Cat no | Key |
|--|------|-----------|--------|-----|
| 1 O-ring | | 290 32910 | E1041 | |
| 2 Tube, clear | | 468 20001 | C1022 | |
| 3 Quartz Wool | 5mm | 338 22200 | B1017 | |
| 4 WC3 Granular | 60mm | 338 24600 | B1025 | |
| 5 Quartz Wool | 20mm | 338 22200 | B1017 | |
| 6 Pure Copper | 90mm | 338 35310 | B1035 | |
| 7 Quartz Wool | 40mm | 338 22200 | B1017 | |
| 8 Bottom fitting | | 347 09518 | E3003 | |
| 9 GC Column | | 260 08206 | E3003 | |
| A Prepacked Reaction Tube, transparent | | | X1060 | |
| B Prepacked Reaction Tube, translucent | | | X1061 | |



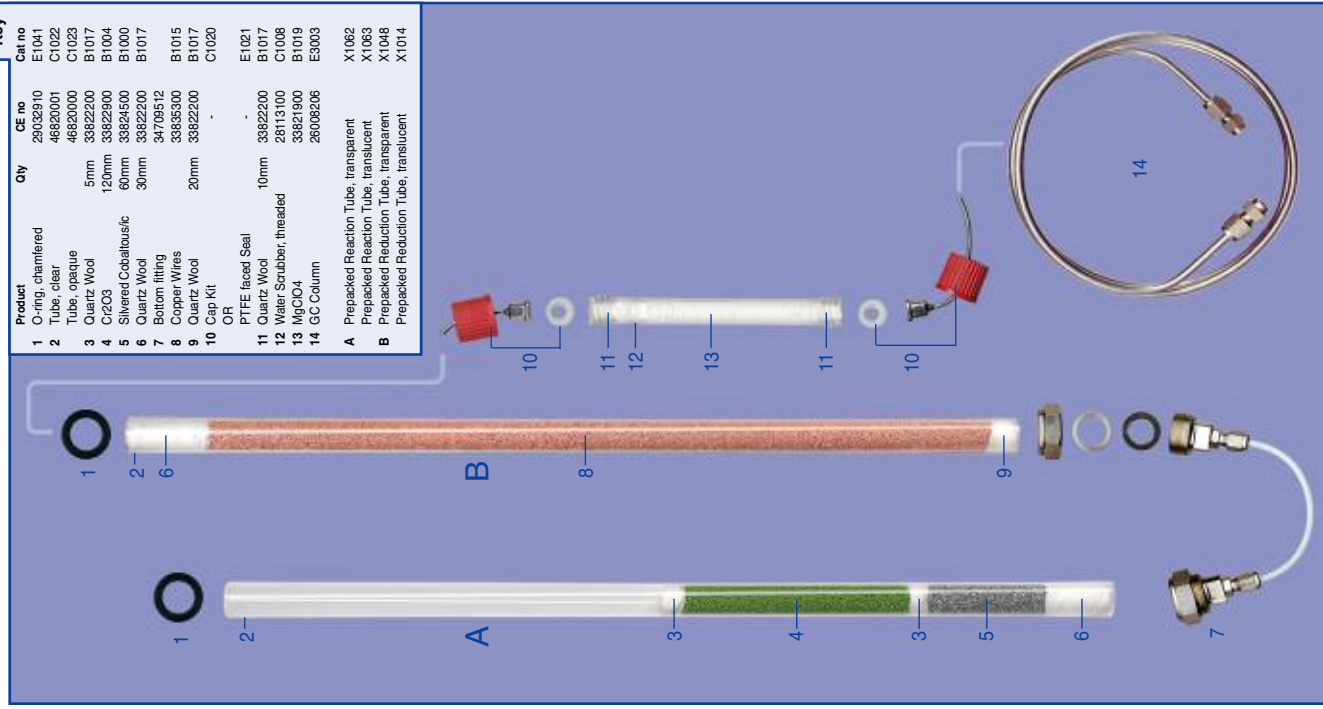
O DETERMINATION

| Product | Qty | CE no | Cat no | Key |
|--|-------|----------|--------|-----|
| 1 O-ring, chamfered | | 29032910 | E1041 | |
| 2 Quartz Tube, clear | | 46820001 | C1022 | |
| 3 Quartz Tube, opaque | | 46820000 | C1023 | |
| 4 Nickelised Carbon | 10mm | 33825000 | B1007 | |
| 5 Quartz Wool | 50mm | 33825000 | B1006 | |
| 6 Quartz Chips | 10mm | 33822200 | B1017 | |
| 7 Quartz Wool | 120mm | 33822200 | B1008 | |
| 8 Cap Kit | 40mm | 33822200 | B1017 | |
| OR | | | C1020 | |
| 9 Tube | | | E1021 | |
| PTFE Faced Seal | | | C1008 | |
| 10 Quartz Wool | 5mm | 33822200 | B1017 | |
| 11 Soda Line | | 33825205 | B1189 | |
| 12 Anydron | | 33821900 | B1019 | |
| 13 GC Column | | 26007900 | E3001 | |
| A Prepacked Oxygen Pyrolysis Tube, transparent | | | X1047 | |
| Prepacked Oxygen Pyrolysis Tube, translucent | | | X1021 | |



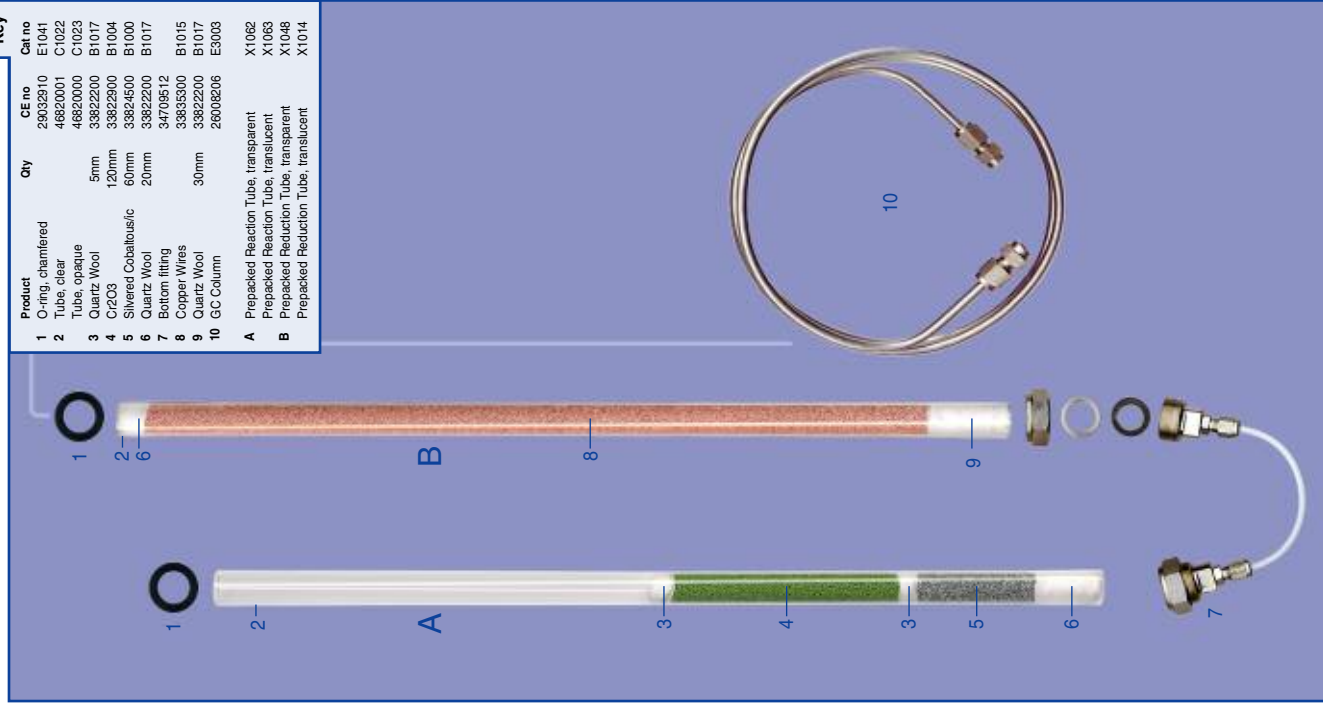
CN DETERMINATION

| Product | Qty | CE no | Cat no | Key |
|--|-------|----------|--------|-----|
| 1 O-ring, chamfered | | 29032910 | E1041 | |
| 2 Tube, clear | | 46820001 | C1022 | |
| 3 Quartz Wool | 5mm | 33822200 | B1017 | |
| 4 Cr2O3 | 120mm | 33825000 | B1004 | |
| 5 Silvered Cobaltous/c | 60mm | 33824500 | B1000 | |
| 6 Quartz Wool | 30mm | 33822200 | B1017 | |
| 7 Bottom fitting | | 34709512 | B1015 | |
| 8 Copper Wires | | 33835300 | B1017 | |
| 9 Quartz Wool | 20mm | 33822200 | C1020 | |
| 10 Cap Kit | | | | |
| OR | | | | |
| PTFE faced Seal | | | E1021 | |
| 11 Quartz Wool | 10mm | 33822200 | B1017 | |
| 12 Water Scrubber, threaded | | 28113100 | C1008 | |
| 13 MgClO4 | | 33821900 | B1019 | |
| 14 GC Column | | 26008206 | E3003 | |
| A Prepacked Reaction Tube, transparent | | | X1062 | |
| Prepacked Reaction Tube, translucent | | | X1063 | |
| B Prepacked Reaction Tube, transparent | | | X1048 | |
| Prepacked Reaction Tube, translucent | | | X1014 | |



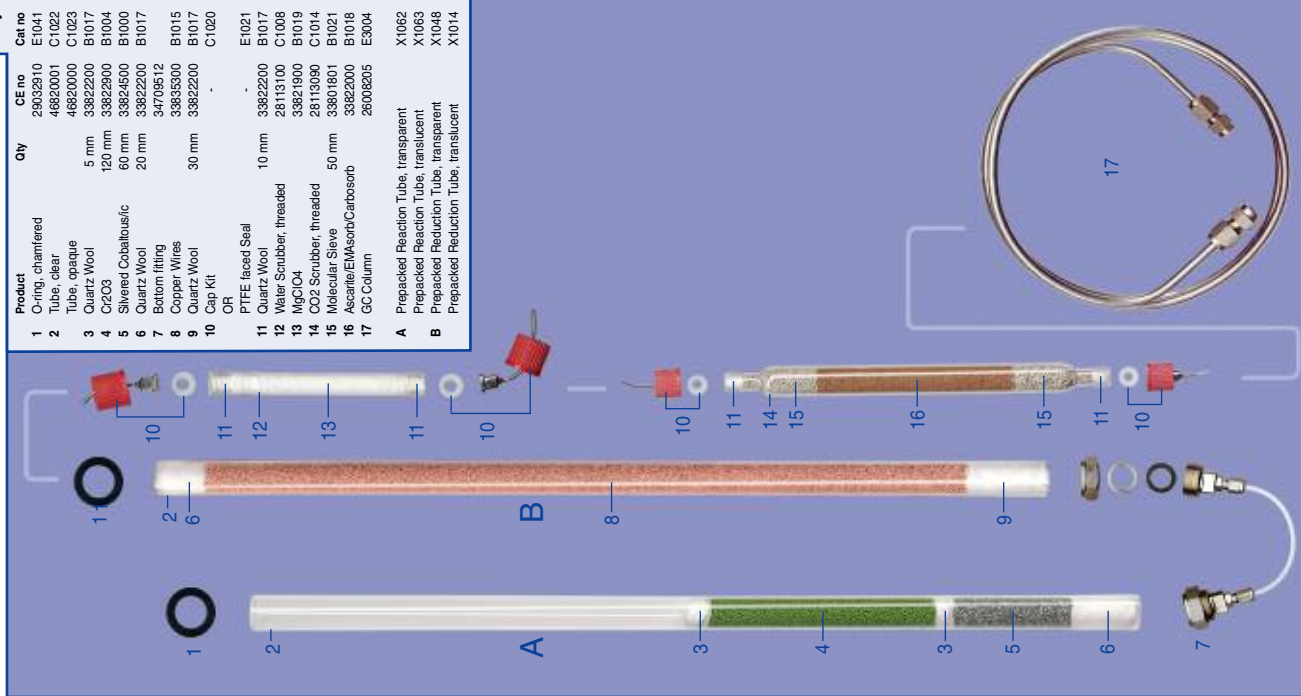
CHN DETERMINATION

| Product | Qty | CE no | Cat no | Key |
|--|-------|----------|--------|-----|
| 1 O-ring, chamfered | | 29032910 | E1041 | |
| 2 Tube, clear | | 46820001 | C1022 | |
| 3 Quartz Wool | 5mm | 46820000 | C1023 | |
| 4 Cr2O3 | 120mm | 33822200 | B1017 | |
| 5 Silvered Cobaltous/c | 60mm | 33824500 | B1000 | |
| 6 Quartz Wool | 20mm | 33822200 | B1017 | |
| 7 Bottom fitting | | 34709512 | B1015 | |
| 8 Copper Wires | | 33835300 | B1017 | |
| 9 Quartz Wool | 30mm | 33822200 | B1017 | |
| 10 GC Column | | 26008206 | E3003 | |
| A Prepacked Reaction Tube, transparent | | | X1062 | |
| Prepacked Reaction Tube, translucent | | | X1063 | |
| B Prepacked Reaction Tube, transparent | | | X1048 | |
| Prepacked Reaction Tube, translucent | | | X1014 | |



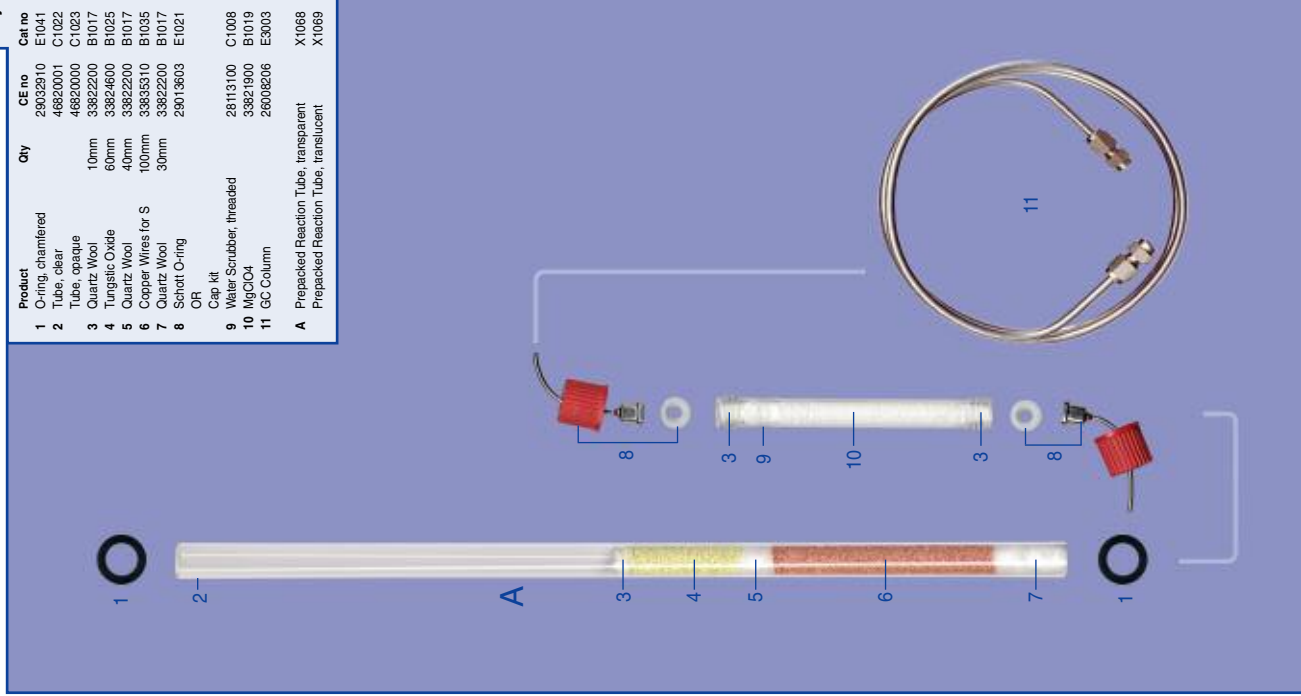
N DETERMINATION

| Product | Qty | CE no | Cat no |
|--|--------|----------|--------|
| 1 O-ring, chamfered | | 29032910 | E1041 |
| 2 Tube, clear | | 46820001 | C1022 |
| 3 Quartz Wool | 5 mm | 46820000 | C1023 |
| 4 Cr2O3 | 120 mm | 33822200 | B1017 |
| 5 Silvered Cobaltous/c | 60 mm | 33822500 | B1004 |
| 6 Quartz Wool | 20 mm | 33822200 | B1000 |
| 7 Bottom fitting | | 34705612 | B1017 |
| 8 Copper Wires | 30 mm | 33822200 | B1015 |
| 9 Quartz Wool | | 33822200 | B1017 |
| 10 Cap Kit | | - | C1020 |
| OR | | | |
| 11 PTFE faced Seal | | | E1021 |
| 12 Quartz Wool | 10 mm | 33822200 | B1017 |
| 13 Water Scrubber, threaded | | 28113100 | C1008 |
| 14 MgClO4 | | 33821900 | B1019 |
| 15 Cd2 Scrubber, threaded | | 28113090 | C1014 |
| 16 Molecular Sieve | 50 mm | 33801801 | B1021 |
| 17 Ascarite/Mascorb/Carbosorb | | 33822300 | B1018 |
| | | 26008205 | E3004 |
| A Prepared Reaction Tube, transparent | | | X1062 |
| B Prepared Reaction Tube, translucent | | | X1063 |
| C Prepared Reduction Tube, transparent | | | X1048 |
| D Prepared Reduction Tube, translucent | | | X1014 |



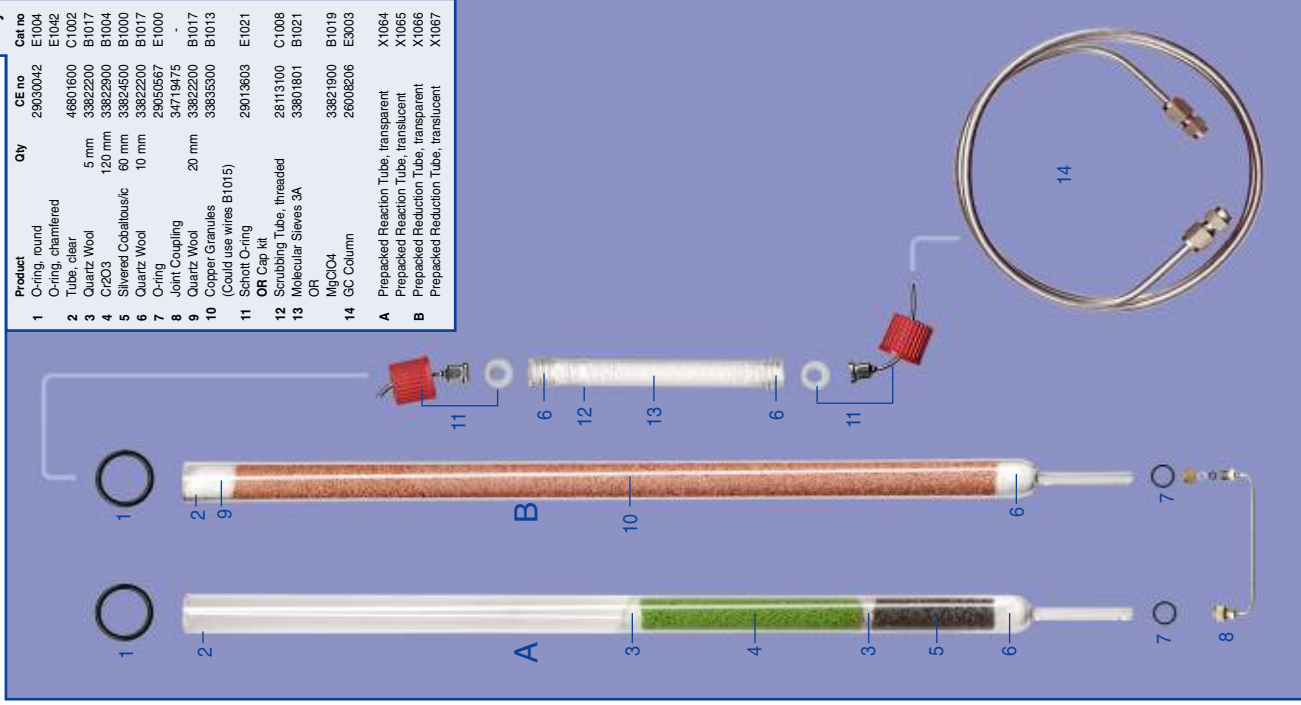
NCS DETERMINATION

| Product | Qty | CE no | Cat no |
|---------------------------------------|-------|----------|--------|
| 1 O-ring, chamfered | | 29032910 | E1041 |
| 2 Tube, clear | | 46820001 | C1022 |
| 3 Quartz Wool | 10mm | 46820000 | C1023 |
| 4 Tungstic Oxide | 60mm | 33821600 | B1025 |
| 5 Quartz Wool | 40mm | 33822200 | B1017 |
| 6 Copper Wires for S | 100mm | 33833310 | B1035 |
| 7 Quartz Wool | 30mm | 33822200 | B1017 |
| 8 Schott O-ring | | 29013603 | E1021 |
| OR | | | |
| 9 Water Scrubber, threaded | | 28113100 | C1008 |
| 10 MgClO4 | | 33821900 | B1019 |
| 11 GC Column | | 26008206 | E3003 |
| A Prepared Reaction Tube, transparent | | | X1068 |
| B Prepared Reaction Tube, translucent | | | X1069 |



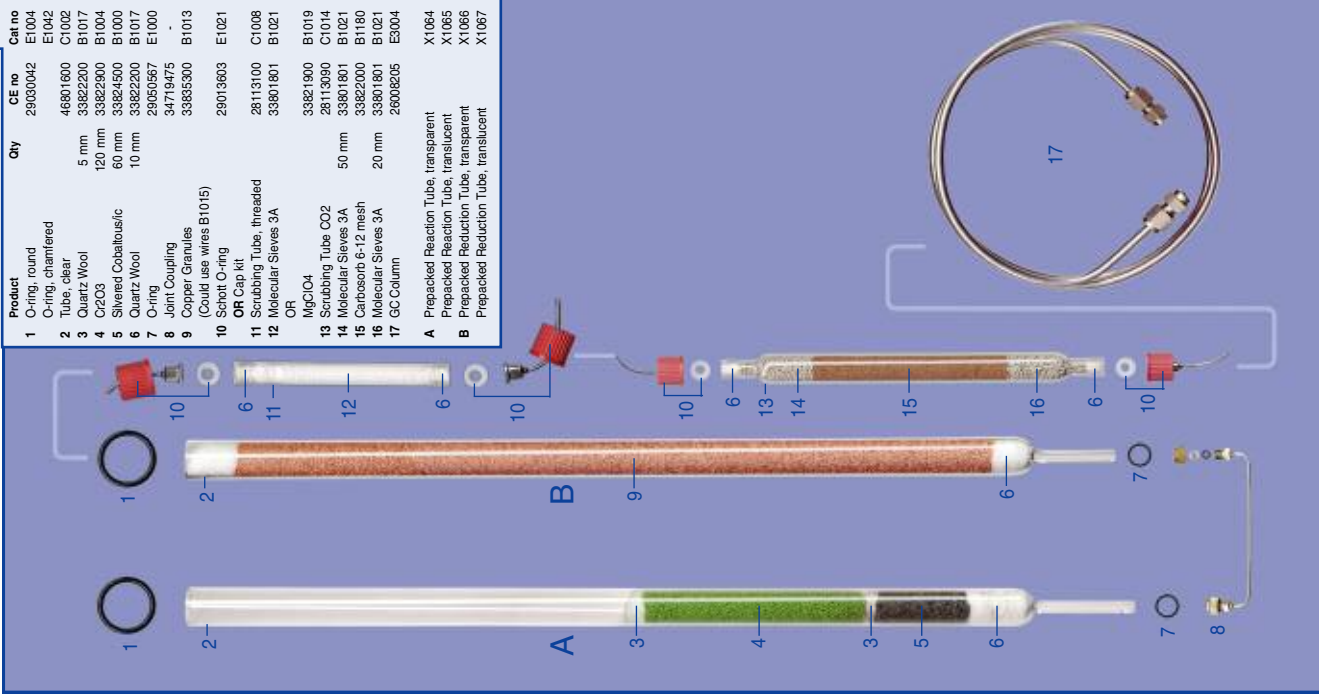
C + N DETERMINATION

| Product | Qty | CE no | Cat no |
|--|--------|----------|--------|
| 1 O-ring, round | | 29030042 | E1004 |
| 2 Tube, clear | | 46820001 | C1022 |
| 3 Quartz Wool | 5 mm | 46820000 | C1023 |
| 4 Cr2O3 | 120 mm | 33822200 | B1017 |
| 5 Silvered Cobaltous/c | 60 mm | 33822500 | B1004 |
| 6 Quartz Wool | 10 mm | 33822200 | B1017 |
| 7 O-ring | | 29056567 | E1000 |
| 8 Joint Coupling | | 34719475 | - |
| 9 Quartz Wool | 20 mm | 33822200 | B1017 |
| 10 Copper Granules | | 33835300 | B1013 |
| (Could use wires B1015) | | | |
| 11 Schott O-ring | | 29013603 | E1021 |
| OR | | | |
| 12 Scrubbing Tube, threaded | | 28113100 | C1008 |
| 13 Molecular Sieves 3A | | 33801801 | B1021 |
| OR | | | |
| MgClO4 | | 33821900 | B1019 |
| GC Column | | 26008206 | E3003 |
| A Prepared Reaction Tube, transparent | | | X1064 |
| B Prepared Reaction Tube, translucent | | | X1065 |
| C Prepared Reduction Tube, transparent | | | X1066 |
| D Prepared Reduction Tube, translucent | | | X1067 |



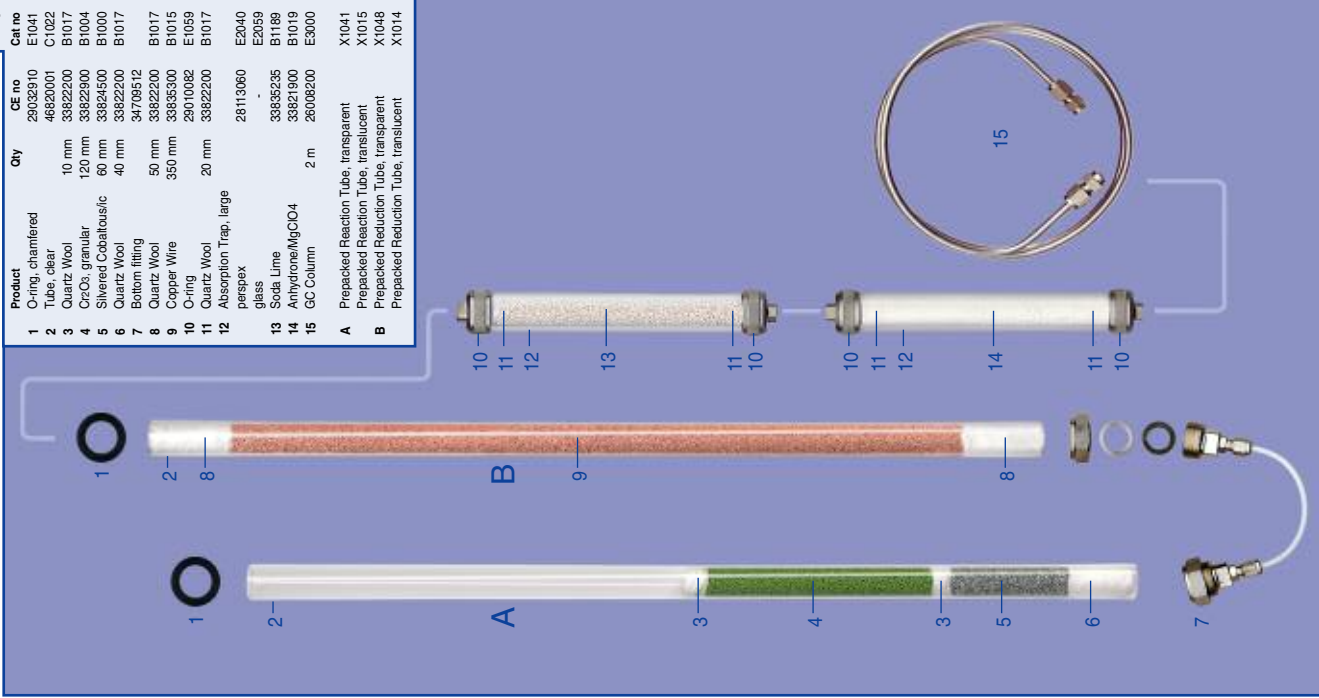
N DETERMINATION

| Product | CE no | Cat no | Qty | Key |
|--|-----------|--------|--------|-----|
| 1 O-ring, round | 29030042 | E1004 | | |
| 2 O-ring, chamfered | E1042 | E1042 | | |
| 3 Tube, clear | 46801600 | C1002 | | |
| 4 Quartz Wool | 33822200 | B1017 | 5 mm | |
| 5 Cr ₂ O ₃ | 33822200 | B1017 | 120 mm | |
| 6 Silvered Cobaltous/c | 33824500 | B1000 | 60 mm | |
| 7 Quartz Wool | 33822200 | B1017 | 10 mm | |
| 8 O-ring | 29056557 | E1000 | | |
| 9 Joint Coupling | 347119475 | - | | |
| 10 Copper Granules | 33835300 | B1013 | | |
| 11 (Could use wires B1015) | | | | |
| 12 Schott O-ring | 29013603 | E1021 | | |
| 13 Scrubbing Tube, threaded | 28113100 | C1008 | | |
| OR | | | | |
| 14 Molecular Sieves 3A | 33801801 | B1021 | | |
| 15 MCrO ₄ | 33821900 | B1019 | | |
| 16 Molecular Sieves CO ₂ | 28113000 | C1014 | | |
| 17 Molecular Sieves 3A | 33801801 | B1021 | 50 mm | |
| 18 Carosorb 6-12 mesh | 33822000 | B1180 | | |
| 19 Molecular Sieves 3A | 33801801 | B1021 | 20 mm | |
| 20 GC Column | 26008205 | E3004 | | |
| A Prepacked Reaction Tube, transparent | X1064 | X1064 | | |
| B Prepacked Reaction Tube, translucent | X1065 | X1065 | | |
| C Prepacked Reaction Tube, transparent | X1066 | X1066 | | |
| D Prepacked Reaction Tube, translucent | X1067 | X1067 | | |



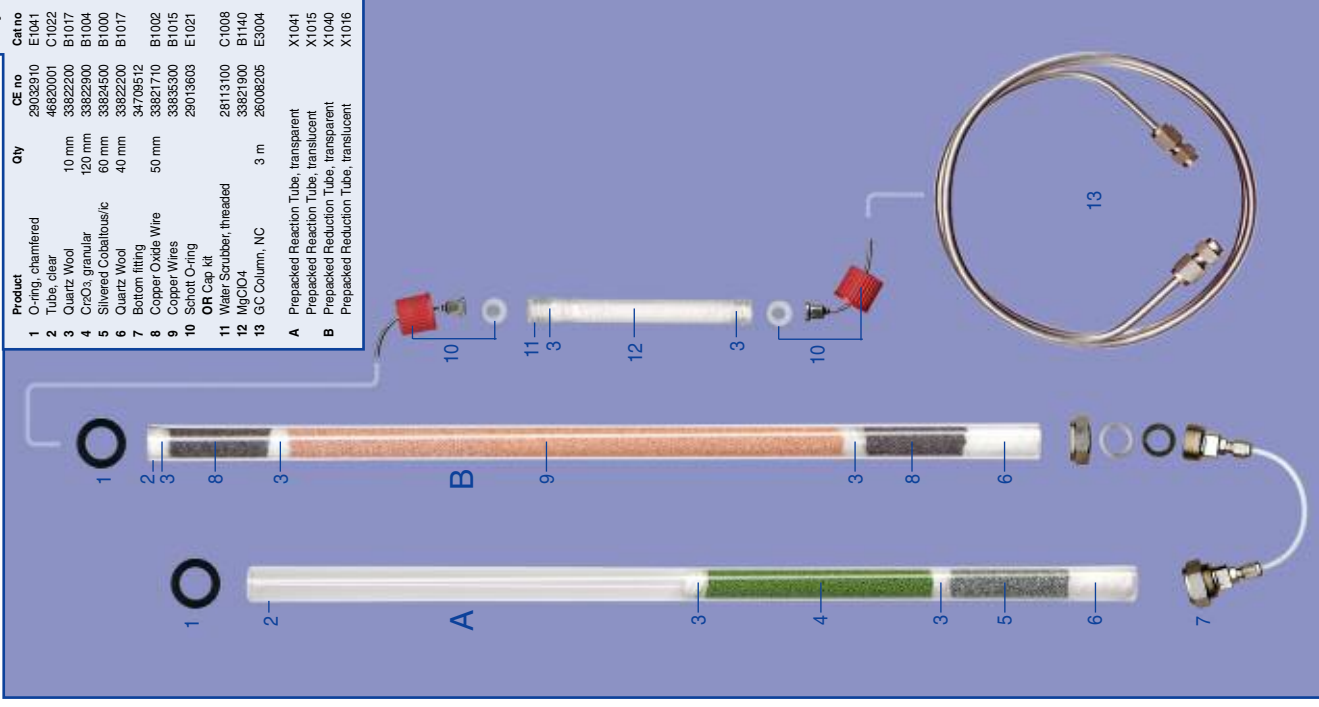
N DETERMINATION

| Product | CE no | Cat no | Qty | Key |
|---|-----------|--------|--------|-----|
| 1 O-ring, chamfered | 29032910 | E1041 | | |
| 2 Tube, clear | 46820001 | C1022 | | |
| 3 Quartz Wool | 33822200 | B1017 | 10 mm | |
| 4 Cr ₂ O ₃ granular | 33822200 | B1017 | 120 mm | |
| 5 Silvered Cobaltous/c | 33824500 | B1000 | 60 mm | |
| 6 Quartz Wool | 33822200 | B1017 | 40 mm | |
| 7 Bottom fitting | 347109512 | - | | |
| 8 Quartz Wool | 33822200 | B1017 | 50 mm | |
| 9 Copper Wire | 33835300 | B1015 | 350 mm | |
| 10 O-ring | 29010082 | E1059 | | |
| 11 Quartz Wool | 33822200 | B1017 | 20 mm | |
| 12 Absorption Trap, large perspex | 28113060 | E2040 | | |
| 13 Soda Lime | 33835235 | E2059 | | |
| 14 Anhydrous MgClO ₄ | 33821900 | B1189 | | |
| 15 GC Column | 26008200 | E3000 | 2 m | |
| A Prepacked Reaction Tube, transparent | X1041 | X1041 | | |
| B Prepacked Reaction Tube, translucent | X1015 | X1015 | | |
| C Prepacked Reaction Tube, transparent | X1048 | X1048 | | |
| D Prepacked Reaction Tube, translucent | X1014 | X1014 | | |



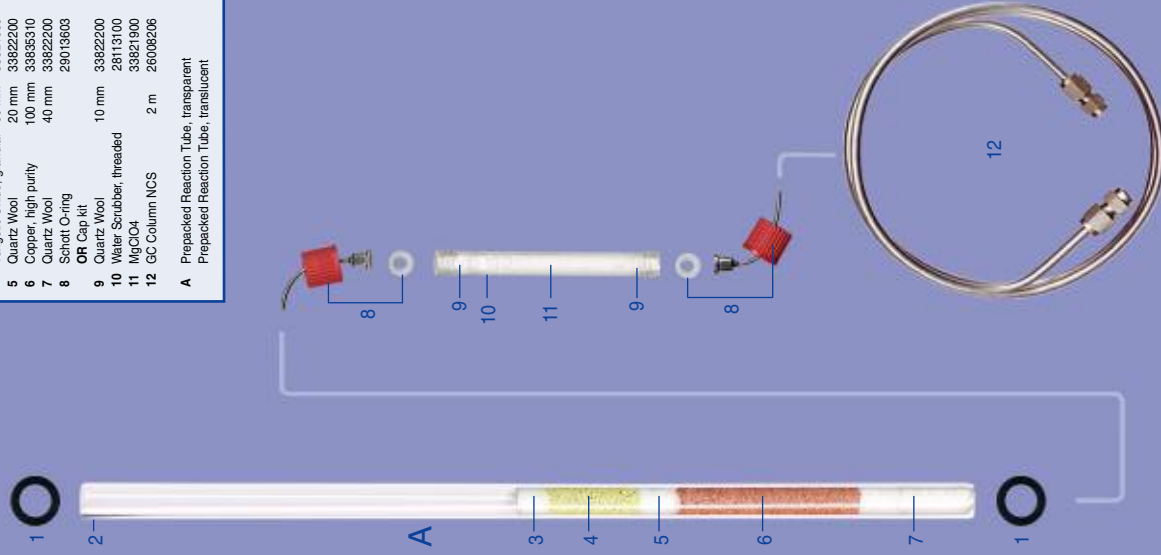
NC DETERMINATION

| Product | CE no | Cat no | Qty | Key |
|---|-----------|--------|----------|-----|
| 1 O-ring, chamfered | 29032910 | E1041 | | |
| 2 Tube, clear | 46820001 | C1022 | | |
| 3 Quartz Wool | 33822200 | B1017 | 10 mm | |
| 4 Cr ₂ O ₃ granular | 33822200 | B1017 | 120 mm | |
| 5 Silvered Cobaltous/c | 33824500 | B1000 | 60 mm | |
| 6 Quartz Wool | 33822200 | B1017 | 40 mm | |
| 7 Bottom fitting | 347109512 | - | | |
| 8 Copper Oxide Wire | 33821710 | B1002 | 50 mm | |
| 9 Copper Wires | 33835300 | B1015 | 33835300 | |
| 10 Schott O-ring | 29013603 | E1021 | | |
| OR Cap kit | | | | |
| 11 Water Scrubber, threaded | 28113100 | C1008 | | |
| 12 MgClO ₄ | 33821900 | B1140 | | |
| 13 GC Column, NC | 26008205 | E3004 | 3 m | |
| A Prepacked Reaction Tube, transparent | X1041 | X1041 | | |
| B Prepacked Reaction Tube, translucent | X1015 | X1015 | | |
| C Prepacked Reaction Tube, transparent | X1040 | X1040 | | |
| D Prepacked Reaction Tube, translucent | X1016 | X1016 | | |



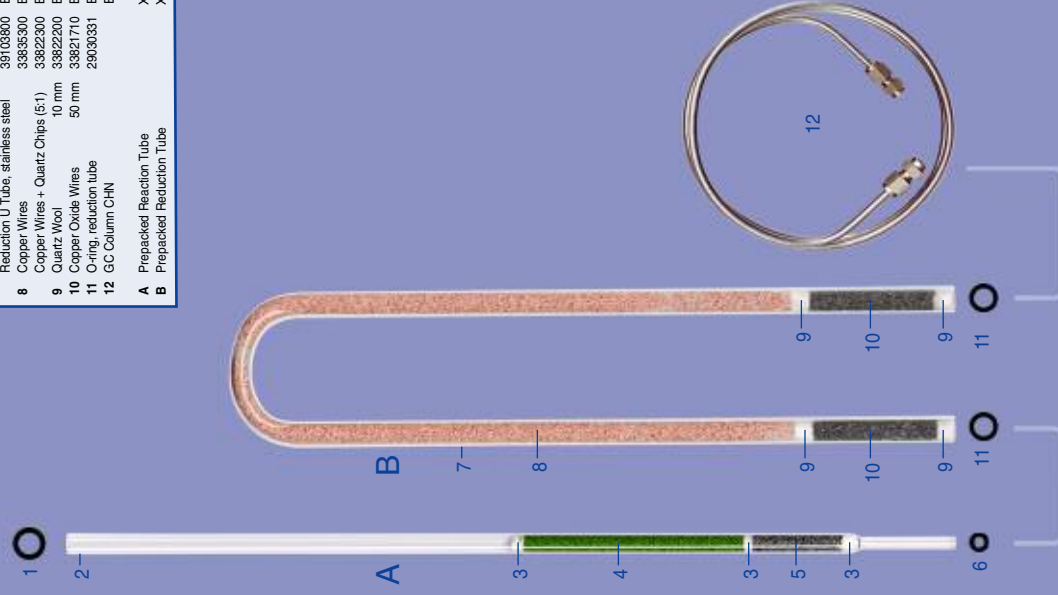
NCS DETERMINATION

| Key | |
|--|----------------|
| Product | Cat no |
| 1 O-ring, upper, clear | 29032910 E1041 |
| 2 Quartz Tube, clear | 46820001 C1022 |
| 3 Quartz Wool | 33822200 B1017 |
| 4 Tungstic Oxide, granular | 33824600 B1025 |
| 5 Quartz Wool | 33822200 B1017 |
| 6 Copper, high purity | 33835310 B1035 |
| 7 Quartz Wool | 33822200 B1017 |
| 8 Sealed O-ring | 29013603 E1021 |
| OR Cap kit | |
| 9 Quartz Wool | 33822200 B1017 |
| 10 Water Scrubber, threaded | 28113100 C1008 |
| 11 MgClO ₄ | 33821900 B1140 |
| 12 GC Column/NCS | 26006206 E3003 |
| A Prepacked Reaction Tube, transparent | X1068 |
| Prepacked Reaction Tube, translucent | X1069 |



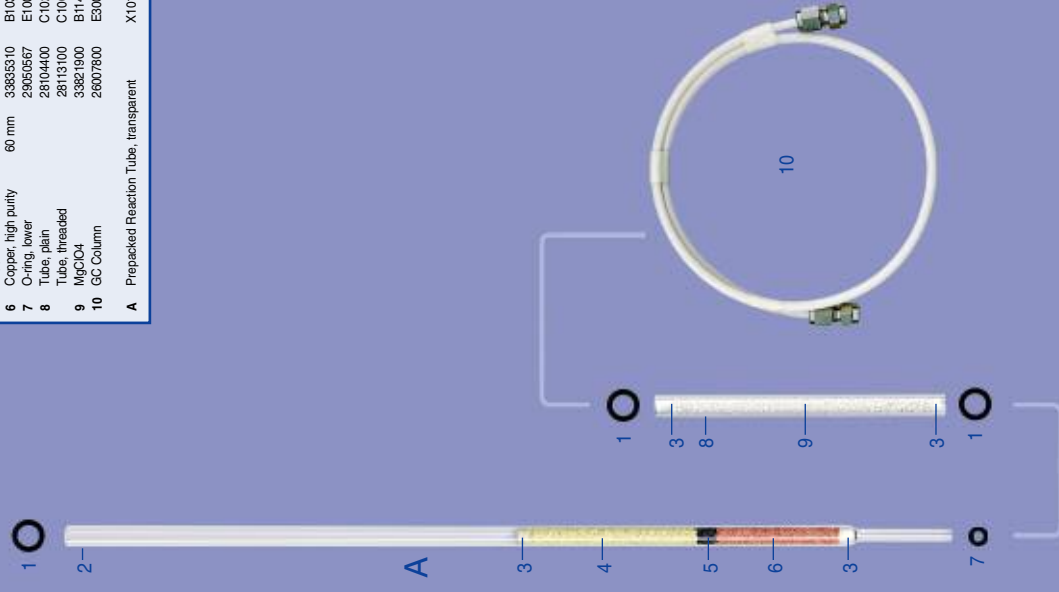
CHN DETERMINATION

| Key | |
|-----------------------------------|----------------|
| Product | Cat no |
| 1 O-ring, upper, round | 29050306 E1002 |
| 2 Reaction Tube, quartz | 29050306 E1043 |
| 3 Quartz Wool | 46800900 C1000 |
| 4 Cr2O3 | 33822200 B1017 |
| 5 Silvered Cobaltous/c | 33822900 B1004 |
| 6 O-ring, lower | 29050567 E1000 |
| 7 Reduction U Tube, quartz | 46801000 C1003 |
| Reduction U Tube, stainless steel | 39103600 E2020 |
| 8 Copper Wires | 33835300 B1015 |
| Copper Wires + Quartz Chips (S1) | 33822200 B1008 |
| 9 Quartz Wool | 33822200 B1017 |
| 10 Copper Oxide Wires | 33821710 B1002 |
| 11 O-ring, reduction tube | 29030331 E1001 |
| 12 GC Column CHN | E3000 |
| A Prepacked Reaction Tube | X1017 |
| B Prepacked Reaction Tube | X1018 |



S DETERMINATION

| Key | |
|--|----------------|
| Product | Cat no |
| 1 O-ring, upper, round | 29050306 E1002 |
| O-ring, upper, chamfered | 29050306 E1043 |
| 2 Tube, quartz | 46800900 C1000 |
| 3 Quartz Wool | 33822200 B1017 |
| 4 Tungstic Oxide | 33824600 B1025 |
| 5 Copper Oxide Wires | 33821710 B1002 |
| 6 Copper, high purity | 33835310 B1035 |
| 7 O-ring, lower | 29050567 E1000 |
| 8 Tube, plain | 28104400 C1021 |
| 9 MgClO ₄ | 28113100 C1008 |
| 10 GC Column | 33821900 B1140 |
| 26007800 E3002 | |
| A Prepacked Reaction Tube, transparent | X1019 |



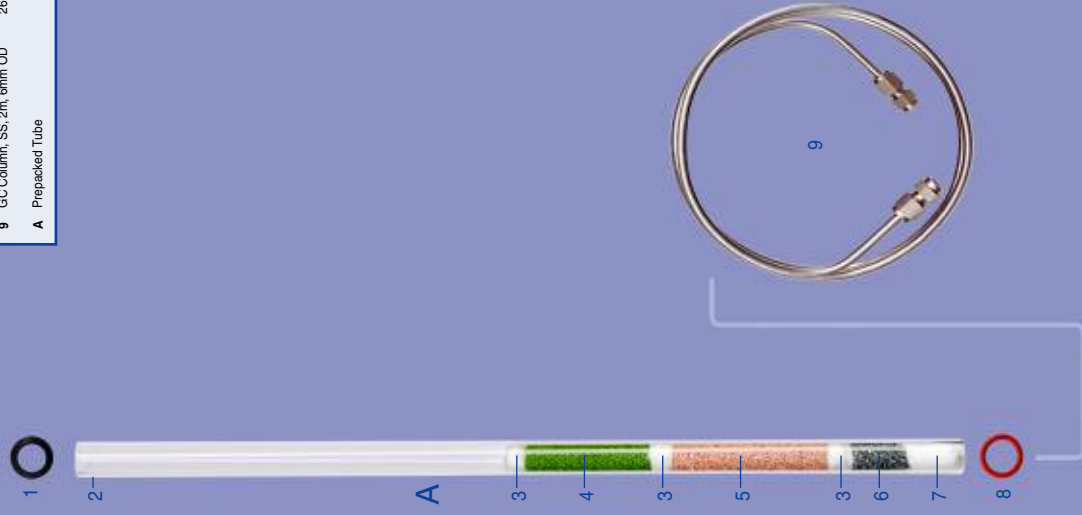
O DETERMINATION

| Product | CE no | Cat no | Qty | Key |
|-----------------------------------|----------|--------|-------|-----|
| 1 O-ring, round | 29050306 | E1002 | | |
| 2 Tube, chamfered | 29050306 | E1043 | | |
| 3 Nickel Wool | 46800900 | C1000 | 10 mm | |
| 4 Nickelised Carbon 20% | 33825000 | B1007 | 80 mm | |
| 5 Nickel Wool | 33825000 | B1007 | 5 mm | |
| 6 Quartz Chips | 33822300 | B1008 | 5 mm | |
| 7 Quartz Wool | 29050567 | E1000 | | |
| 8 O-ring, lower | 28104400 | C1021 | | |
| 9 Tube, plain | 28113100 | C1008 | | |
| 10 MgClO ₄ | 33821900 | B1019 | | |
| 11 Ascarite | 33822000 | B1018 | | |
| 12 GC Column | 26007900 | E3001 | | |
| A Prepacked Oxygen Pyrolysis Tube | | X1020 | | |



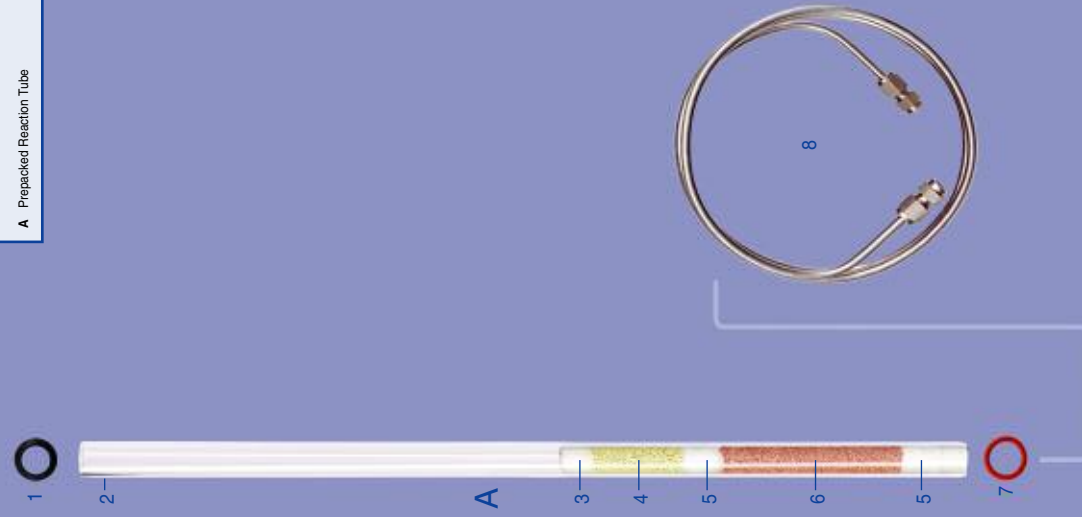
CHN DETERMINATION

| Product | CE no | Cat no | Qty | Key |
|--------------------------------|------------|--------|-------|-----|
| 1 O-ring, upper | 290 229 10 | E1041 | | |
| 2 Combustion Tube, transparent | 468 200 70 | C1069 | | |
| 3 Quartz Wool | 338 222 00 | B1017 | 10mm | |
| 4 Chromium Oxide | 338 229 00 | B1004 | 50mm | |
| 5 Copper Wires, pure | 338 353 12 | B1015 | 100mm | |
| 6 Silvered Cobaltous Oxide | 338 245 00 | B1000 | 50mm | |
| 7 Quartz Wool | 338 222 00 | B1017 | 20mm | |
| 8 O-ring, lower | 290 226 40 | E6052 | | |
| 9 GC Column, SS, 2m, 6mm OD | 260 082 00 | E3000 | | |
| A Prepacked Tube | | X1151 | | |



CHNS DETERMINATION

| Product | CE no | Cat no | Qty | Key |
|-----------------------------|------------|--------|-------|-----|
| 1 O-ring, upper | 290 229 10 | E1041 | | |
| 2 Combustion Tube | 468 200 70 | C1069 | | |
| 3 Quartz Wool | 338 222 00 | B1017 | 10mm | |
| 4 Tungstic Oxide | 338 246 00 | B1025 | 50mm | |
| 5 Quartz Wool | 338 222 00 | B1017 | 20mm | |
| 6 Copper Wires, high purity | 290 206 40 | E6052 | 140mm | |
| 7 O-ring | 260 079 20 | E3003 | | |
| 8 Column, SS, 2m, 6mm OD | | | | |
| A Prepacked Reaction Tube | | X1152 | | |

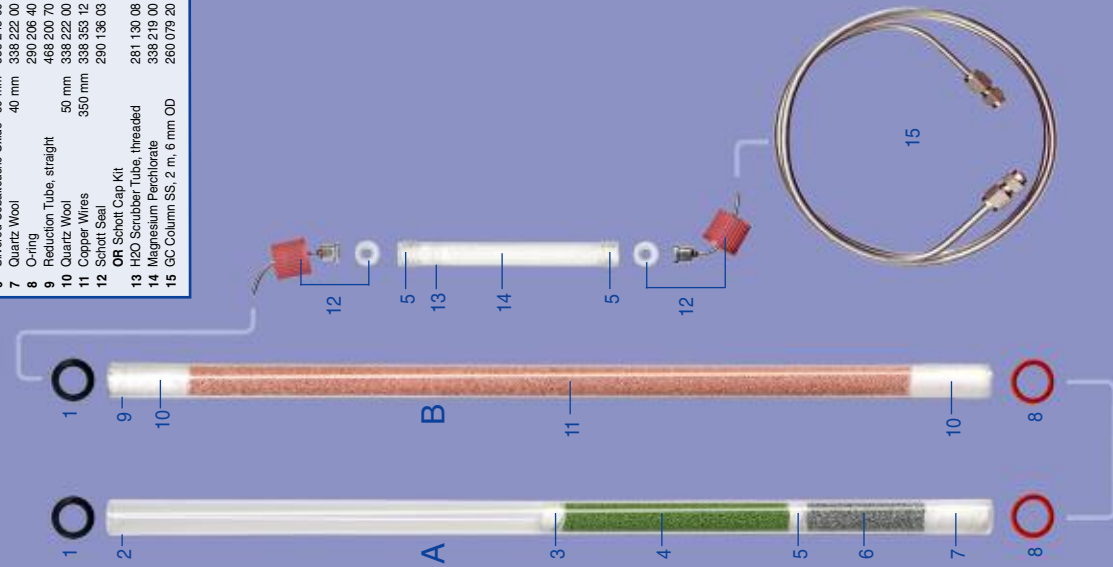


NC DETERMINATION

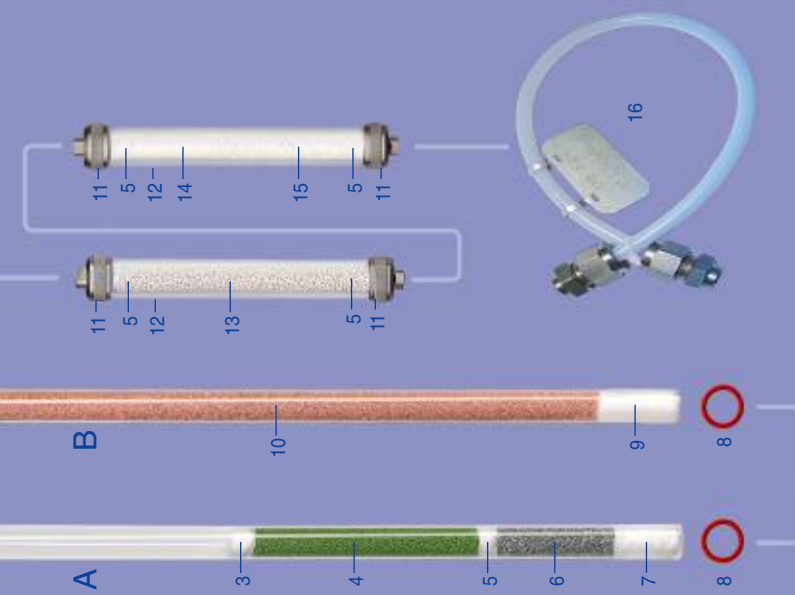
N DETERMINATION

NCS/S DETERMINATION

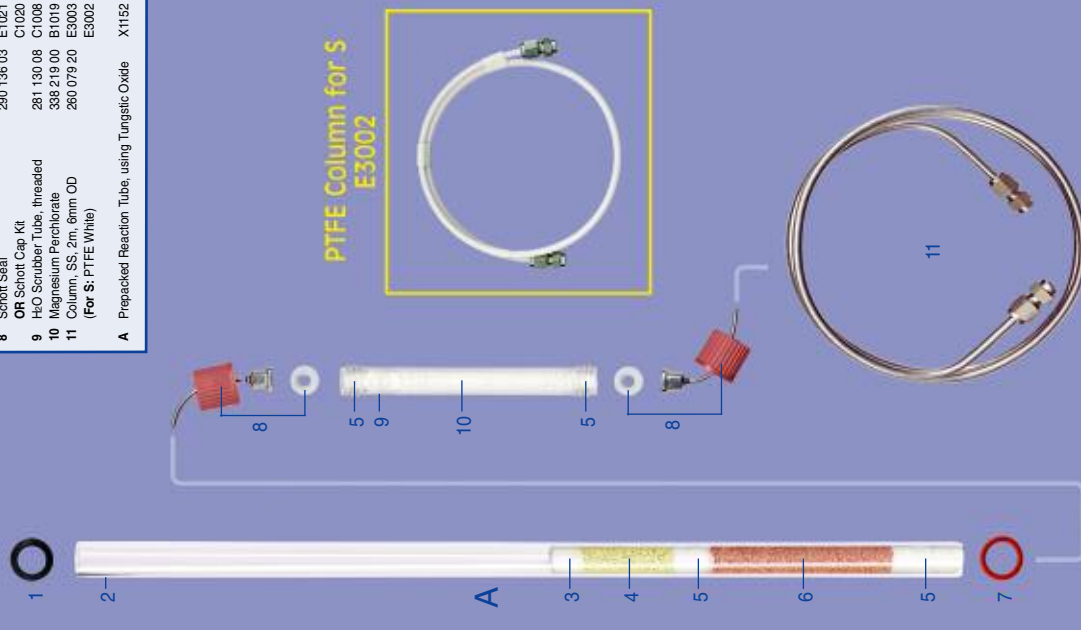
| Product | Cat no | CE no | Qty | Product | Cat no | CE no | Qty |
|----------------------------|--------|------------|-----|-----------------------------|--------|------------|-----|
| A Prepacked Reaction Tube | X1154 | 290 229 10 | 1 | 1 O-ring | E1041 | 290 229 10 | 1 |
| B Prepacked Reduction Tube | X1042 | 468 200 70 | 1 | 2 Combustion Tube, straight | C1069 | 468 200 70 | 2 |
| | | 338 222 00 | 3 | 3 Quartz Wool | B1017 | 338 222 00 | 3 |
| | | 338 217 10 | 4 | 4 Copper Oxide Wires | B1002 | 338 217 10 | 4 |
| | | 338 229 00 | 5 | OR Cr2O3 | B1004 | 338 229 00 | 5 |
| | | 338 222 00 | 6 | Quartz Wool | B1017 | 338 222 00 | 6 |
| | | 338 245 00 | 7 | Silvered Cobaltous/ic Oxide | B1000 | 338 245 00 | 7 |
| | | 338 222 00 | 8 | Quartz Wool | B1017 | 338 222 00 | 8 |
| | | 290 206 40 | 9 | O-ring | E6952 | 290 206 40 | 9 |
| | | 468 200 70 | 10 | Reduction Tube, straight | C1069 | 468 200 70 | 10 |
| | | 338 353 12 | 11 | Quartz Wool | B1015 | 338 353 12 | 11 |
| | | 290 136 03 | 12 | Copper Wires | E1021 | 290 136 03 | 12 |
| | | 281 130 08 | 13 | OR Schott Cap Kit | C1020 | 281 130 08 | 13 |
| | | 338 219 00 | 14 | H2O Scrubber Tube, threaded | C1008 | 338 219 00 | 14 |
| | | 260 079 20 | 15 | Magnesium Perchlorate | B1019 | 260 079 20 | 15 |
| | | | 16 | GC Column SS, 2 m, 6 mm OD | E3000 | | 16 |



| Product | Cat no | CE no | Qty | Product | Cat no | CE no | Qty |
|------------------------------------|--------|------------|-----|----------------------------|--------|-------|-----|
| 1 O-ring, upper | E1041 | 290 229 10 | 1 | A Prepacked Reaction Tube | X1154 | | 1 |
| 2 Combustion Tube | C1069 | 468 200 70 | 2 | B Prepacked Reduction Tube | X1042 | | 1 |
| 3 Quartz Wool | B1017 | 338 222 00 | 3 | | | | |
| 4 Copper Oxide Wires | B1002 | 338 217 10 | 4 | | | | |
| OR Cr2O3 | B1004 | 338 229 00 | 5 | | | | |
| Quartz Wool | B1017 | 338 222 00 | 6 | | | | |
| Silvered Cobaltous/ic Oxide | B1000 | 338 245 00 | 7 | | | | |
| Quartz Wool | B1017 | 338 222 00 | 8 | | | | |
| O-ring, bottom | E6952 | 290 206 40 | 9 | | | | |
| Quartz Wool | B1015 | 338 353 12 | 10 | | | | |
| Copper Wires | E1021 | 290 136 03 | 11 | | | | |
| O-ring for screw cap | B1015 | 338 353 12 | 12 | | | | |
| Scrubber Tube, large | E1059 | 290 100 82 | 13 | | | | |
| perspex | E2040 | 281 130 60 | 14 | | | | |
| Soda Lime | E2059 | 338 352 35 | 15 | | | | |
| Molecular Sieve 3A | B1189 | 338 352 35 | 16 | | | | |
| Magnesium Perchlorate | B1143 | 338 018 01 | 17 | | | | |
| GC Column, PTFE, 50 cm, dia 8/6 mm | B1019 | 338 219 00 | 18 | | | | |
| | E3002 | 260 078 20 | 19 | | | | |

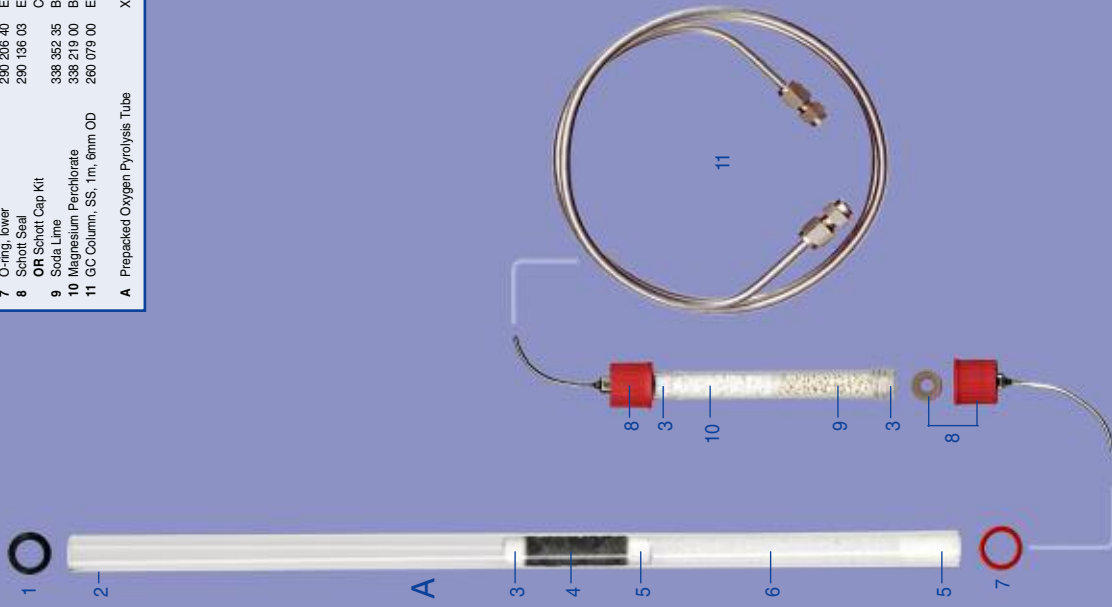


| Product | Cat no | CE no | Qty | Product | Cat no | CE no | Qty |
|-----------------------------|--------|------------|-----|---|--------|-------|-----|
| 1 O-ring | E1041 | 290 229 10 | 1 | A Prepacked Reaction Tube, using Tungstic Oxide | X1152 | | 1 |
| 2 Combustion Tube | C1069 | 468 200 70 | 2 | | | | |
| 3 Quartz Wool | B1017 | 338 222 00 | 3 | | | | |
| 4 Copper Oxide Wires | B1002 | 338 217 10 | 4 | | | | |
| OR Tungstic Oxide | B1025 | 338 246 00 | 5 | | | | |
| Quartz Wool | B1017 | 338 222 00 | 6 | | | | |
| Copper Wires, high purity | B1005 | 338 222 00 | 7 | | | | |
| O-ring | E6952 | 290 206 40 | 8 | | | | |
| Schott Seal | E1021 | 290 136 03 | 9 | | | | |
| OR Schott Cap Kit | C1020 | 281 130 08 | 10 | | | | |
| H2O Scrubber Tube, threaded | C1008 | 338 219 00 | 11 | | | | |
| Magnesium Perchlorate | B1019 | 338 219 00 | 12 | | | | |
| Column, SS, 2m, 6mm OD | E3003 | 260 079 20 | 13 | | | | |
| (For S; PTFE White) | E3002 | | 14 | | | | |



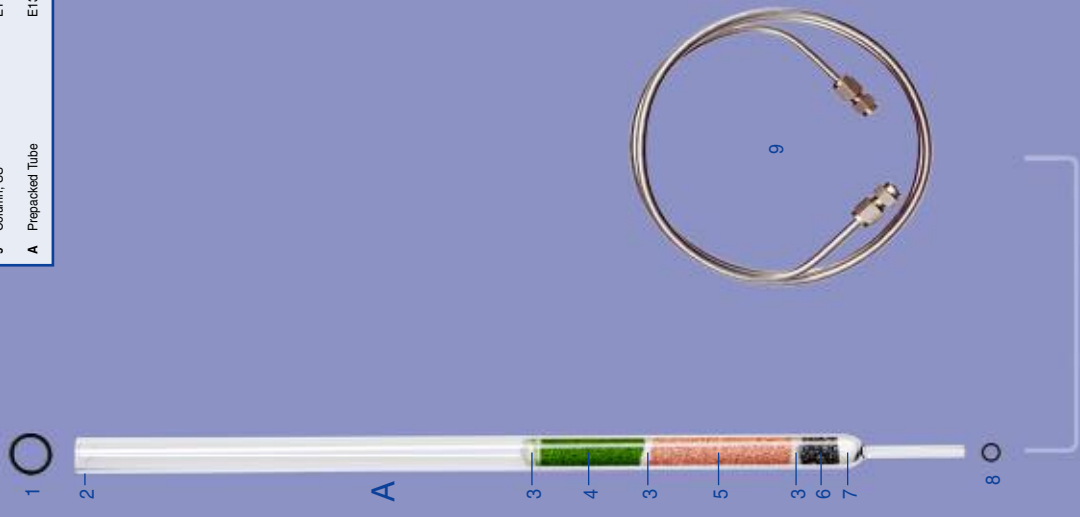
O PYROLYSIS

| Product | Qty | CE no | Cat no | Key |
|-----------------------------------|------------|-------|--------|-----|
| 1 O-ring, upper | 290 229 10 | E1041 | E1041 | |
| 2 Combustion Tube, opaque | 468 200 70 | C1069 | C1069 | |
| 3 Quartz Wool | 338 222 00 | B1017 | B1017 | |
| 4 Nickelised Carbon, 20% | 338 228 00 | B1006 | B1006 | |
| 5 Quartz Wool | 338 222 00 | B1017 | B1017 | |
| 6 Quartz Chips | 338 223 00 | B1006 | B1006 | |
| 7 O-ring, lower | 290 206 40 | E6052 | E6052 | |
| 8 Schott Seal | 290 136 03 | E1021 | E1021 | |
| OR Schott Cap Kit | | C1020 | C1020 | |
| 9 Soda Lime | 338 352 35 | B1189 | B1189 | |
| 10 Magnesium Perchlorate | 338 219 00 | B1019 | B1019 | |
| 11 GC Column, SS, 1m, 6mm OD | 260 079 00 | E3001 | E3001 | |
| A Prepacked Oxygen Pyrolysis Tube | | X1153 | X1153 | |



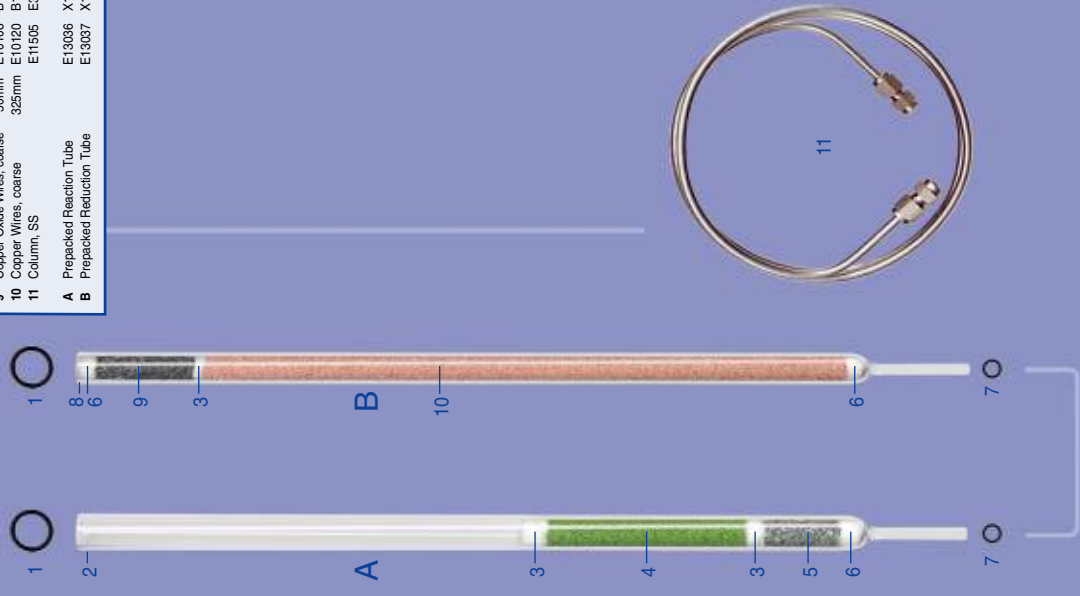
CHN DETERMINATION

| Product | Qty | E no | Cat no | Key |
|----------------------------|--------|-------|--------|-------|
| 1 O-ring, upper | E13536 | E1504 | E13536 | E1504 |
| 2 Tube | E12509 | C1074 | E12509 | C1074 |
| 3 Quartz Wool | E10514 | B1017 | E10514 | B1017 |
| 4 Chromium Oxide, granular | E10101 | B1004 | E10101 | B1004 |
| 5 Copper Wires | E10120 | B1046 | E10120 | B1046 |
| 6 Silvered Cobaltous Oxide | E10160 | B1000 | E10160 | B1000 |
| 7 Quartz Wool | E10514 | B1017 | E10514 | B1017 |
| 8 O-ring, lower | E13540 | E1508 | E13540 | E1508 |
| 9 Column, SS | E11505 | E3000 | E11505 | E3000 |
| A Prepacked Tube | E13041 | X1250 | E13041 | X1250 |



CHN DETERMINATION

| Product | Qty | E no | Cat no | Key |
|------------------------------|--------|-------|--------|-------|
| 1 O-ring, upper | E13536 | E1504 | E13536 | E1504 |
| 2 Tube | E12509 | C1074 | E12509 | C1074 |
| 3 Quartz Wool | E10514 | B1017 | E10514 | B1017 |
| 4 Chromium Oxide, granular | E10101 | B1004 | E10101 | B1004 |
| 5 Silvered Cobaltous Oxide | E10160 | B1000 | E10160 | B1000 |
| 6 Quartz Wool | E10514 | B1017 | E10514 | B1017 |
| 7 O-ring, lower | E13540 | E1508 | E13540 | E1508 |
| 8 Tube, empty | E12509 | C1074 | E12509 | C1074 |
| 9 Copper Oxide Wires, coarse | E10108 | B1234 | E10108 | B1234 |
| 10 Copper Wires, coarse | E10120 | B1046 | E10120 | B1046 |
| 11 Column, SS | E11505 | E3000 | E11505 | E3000 |
| A Prepacked Reaction Tube | E13036 | X1252 | E13036 | X1252 |
| B Prepacked Reduction Tube | E13037 | X1254 | E13037 | X1254 |

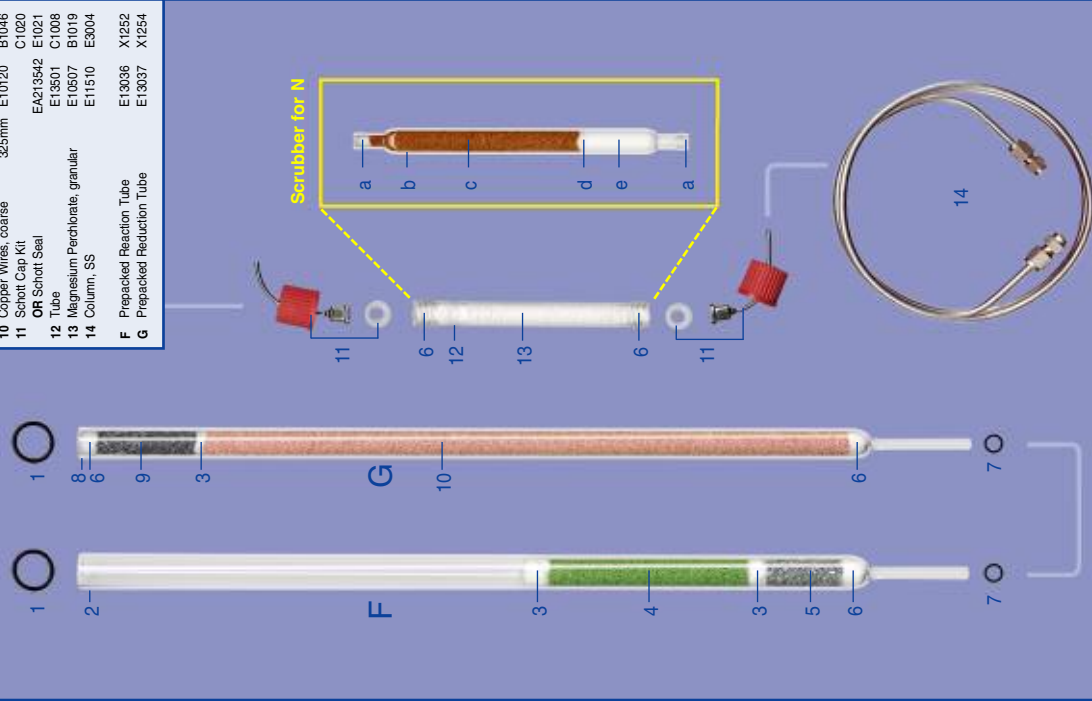


CN/N DETERMINATION

| Product | Qty | E.no | Cat.no |
|-----------------------------------|-------|--------|--------|
| a Quartz Wool | 10mm | 10514 | B1019 |
| b Tube | 155mm | E13505 | C1014 |
| c Carbosorb 0.7-1.2mm | 5mm | E10503 | B1236 |
| d Quartz Wool | 5mm | 10514 | B1017 |
| e Magnesium Perchlorate, granular | 70mm | E10507 | B1019 |

| Product | Qty | E.no | Cat.no |
|------------------------------------|-------|----------|--------|
| 1 O-ring, upper | | E13536 | E1504 |
| 2 Tube | | E12509 | C1074 |
| 3 Quartz Wool | 5mm | E10514 | B1017 |
| 4 Chromium Oxide, granular | 110mm | E10101 | B1004 |
| 5 Silvered Cobaltous/Oxide | 40mm | E10160 | B1000 |
| 6 Quartz Wool | 10mm | E10514 | B1017 |
| 7 O-ring, lower | | E13540 | E1508 |
| 8 Tube, empty | 50mm | E12509 | C1074 |
| 9 Copper Oxide Wires, coarse | 325mm | E10108 | B1234 |
| 10 Copper Wires, coarse | 325mm | E10120 | B1046 |
| 11 Schott Cap Kit | | E10120 | C1020 |
| OR Schott Seal | | EA213542 | E1021 |
| 12 Tube | | E13501 | C1008 |
| 13 Magnesium Perchlorate, granular | | E10507 | B1019 |
| 14 Column, SS | | E11510 | E3004 |

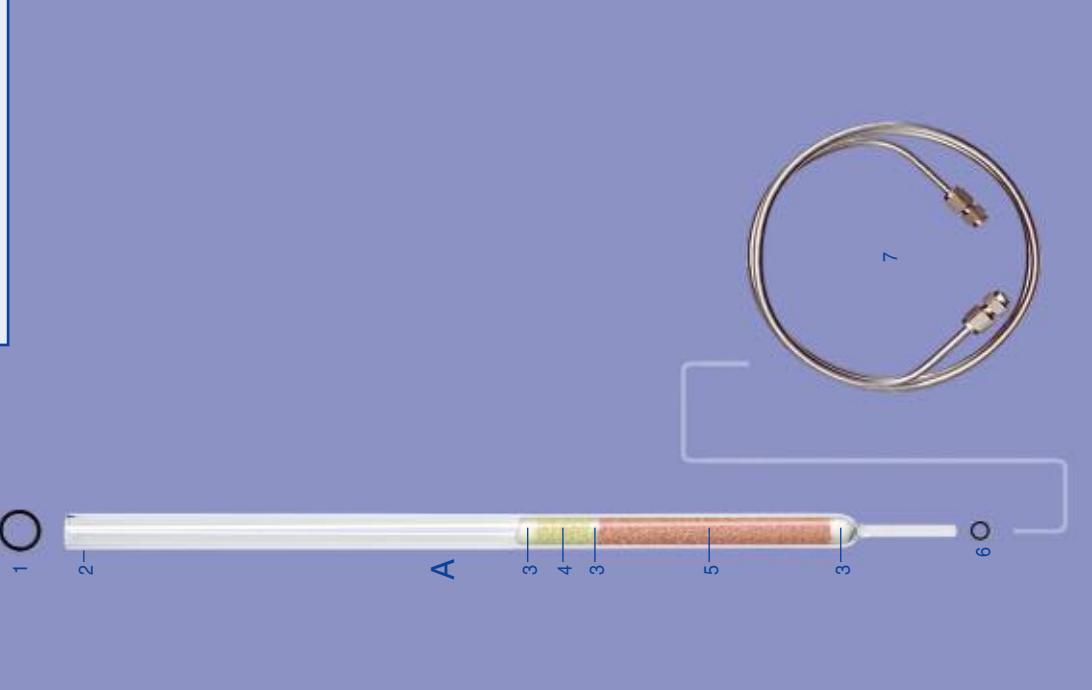
| Product | Qty | E.no | Cat.no |
|----------------------------|-----|--------|--------|
| F Prepacked Reaction Tube | | E13036 | X1252 |
| G Prepacked Reduction Tube | | E13037 | X1254 |



CHNS DETERMINATION

| Product | Qty | E.no | Cat.no |
|----------------------------|-------|--------|--------|
| 1 O-ring, upper | | E13536 | E1504 |
| 2 Tube | | E12509 | C1074 |
| 3 Quartz Wool | 10mm | E10514 | B1017 |
| 4 Tungstic Oxide, granular | 25mm | E10152 | B1025 |
| 5 Copper Wires | 120mm | E10130 | B1035 |
| 6 O-ring, lower | | E13540 | E1508 |
| 7 Column, SS | | E11501 | E3003 |

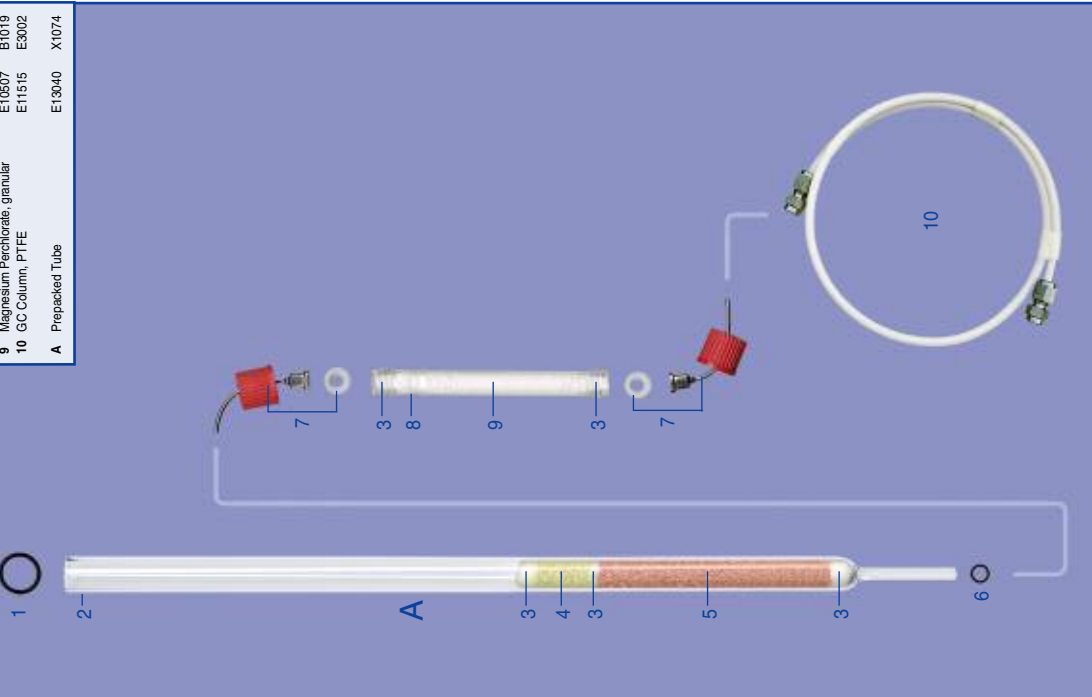
| Product | Qty | E.no | Cat.no |
|------------------|-----|--------|--------|
| A Prepacked Tube | | E13040 | X1074 |



S DETERMINATION

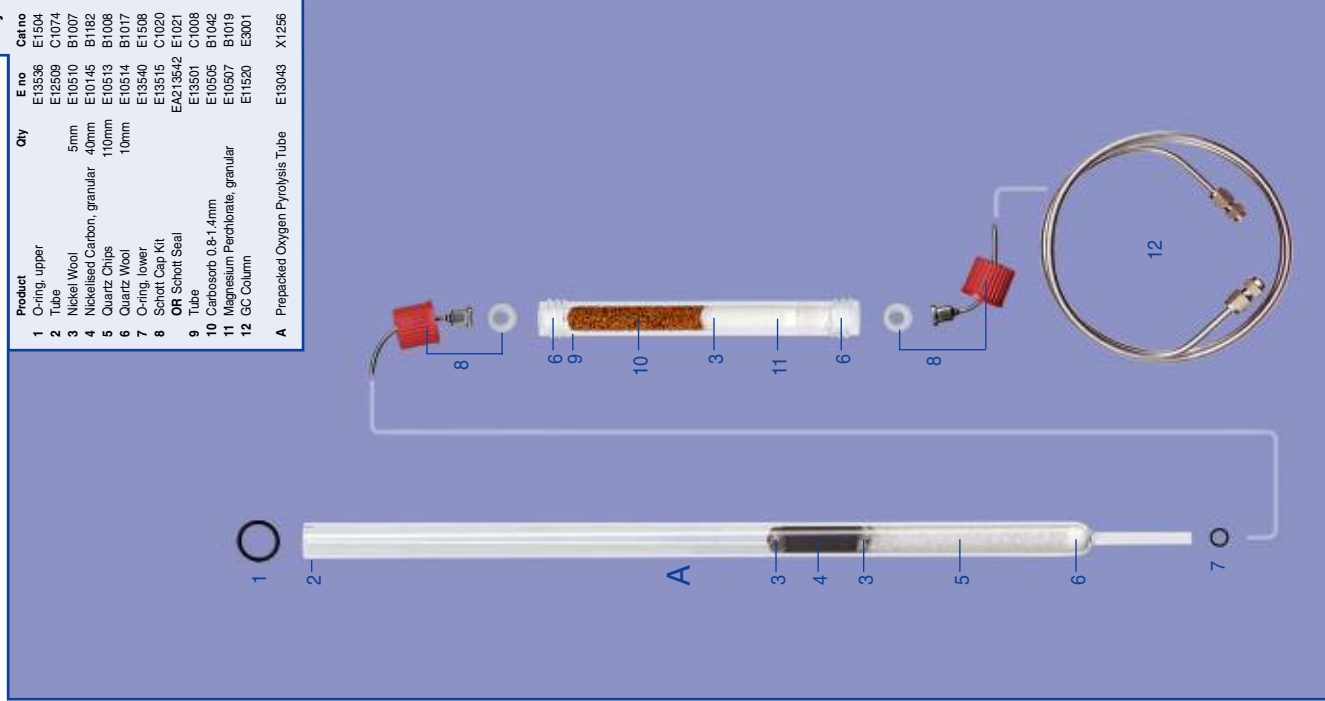
| Product | Qty | E.no | Cat.no |
|-----------------------------------|-------|----------|--------|
| 1 O-ring, upper | | E13536 | E1504 |
| 2 Tube | | E12509 | C1074 |
| 3 Quartz Wool | 10mm | E10514 | B1017 |
| 4 Tungstic Oxide, granular | 25mm | E10152 | B1025 |
| 5 Copper Wires | 120mm | E10130 | B1035 |
| 6 O-ring, lower | | E13540 | E1508 |
| 7 Schott Cap Kit | | EA213542 | C1020 |
| OR Schott Seal | | E13601 | E1021 |
| 8 Tube | | E13607 | C1008 |
| 9 Magnesium Perchlorate, granular | | E10507 | B1019 |
| 10 GC Column, PTFE | | E11515 | E3002 |

| Product | Qty | E.no | Cat.no |
|------------------|-----|--------|--------|
| A Prepacked Tube | | E13040 | X1074 |



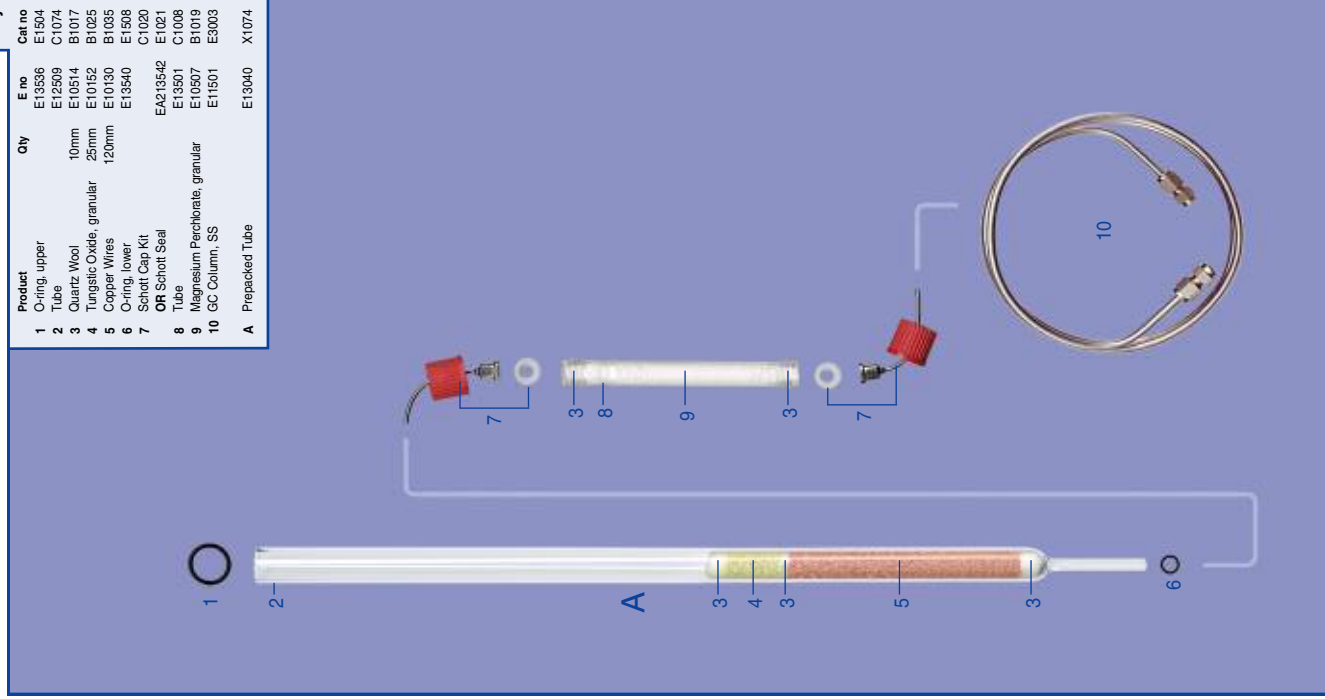
O PYROLYSIS

| Product | Qty | E no | Cat no | Key |
|------------------------------------|------|----------|--------|-----|
| 1 O-ring, upper | | E13536 | E1504 | |
| 2 Tube | | E12509 | C1074 | |
| 3 Nickel Wool | 5mm | E10510 | B1007 | |
| 4 Nickelised Carbon, granular | 40mm | E10145 | B1182 | |
| 5 Quartz Chips | 10mm | E10513 | B1008 | |
| 6 Quartz Wool | 10mm | E10514 | B1017 | |
| 7 O-ring, lower | | E13540 | E1508 | |
| 8 Schott Cap Kit | | E13515 | C1020 | |
| OR Schott Seal | | EA213542 | E1021 | |
| 9 Tube | | E13501 | C1008 | |
| 10 Carbosorb 0,6-1,4mm | | E10505 | B1042 | |
| 11 Magnesium Perchlorate, granular | | E10507 | B1019 | |
| 12 GC Column | | E11520 | E3001 | |
| A Prepacked Oxygen Pyrolysis Tube | | E13043 | X1256 | |



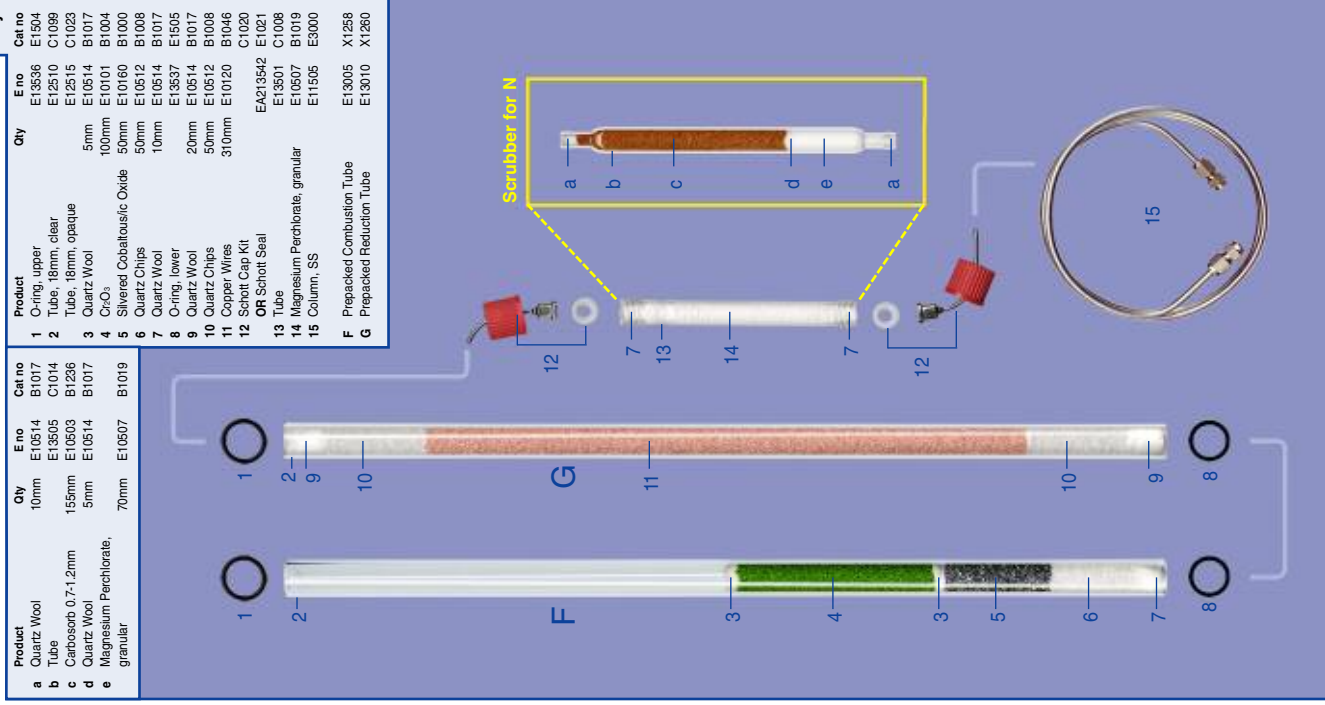
NCS DETERMINATION

| Product | Qty | E no | Cat no | Key |
|-----------------------------------|-------|----------|--------|-----|
| 1 O-ring, upper | | E13536 | E1504 | |
| 2 Tube | | E12509 | C1074 | |
| 3 Quartz Wool | 10mm | E10514 | B1017 | |
| 4 Tungstic Oxide, granular | 25mm | E10152 | B1025 | |
| 5 Copper Wires | 120mm | E10130 | B1035 | |
| 6 O-ring, lower | | E13540 | E1508 | |
| 7 Schott Cap Kit | | E13515 | C1020 | |
| OR Schott Seal | | EA213542 | E1021 | |
| 8 Tube | | E13501 | C1008 | |
| 9 Magnesium Perchlorate, granular | | E10507 | B1019 | |
| 10 GC Column, SS | | E11501 | E3003 | |
| A Prepacked Tube | | E13040 | X1074 | |



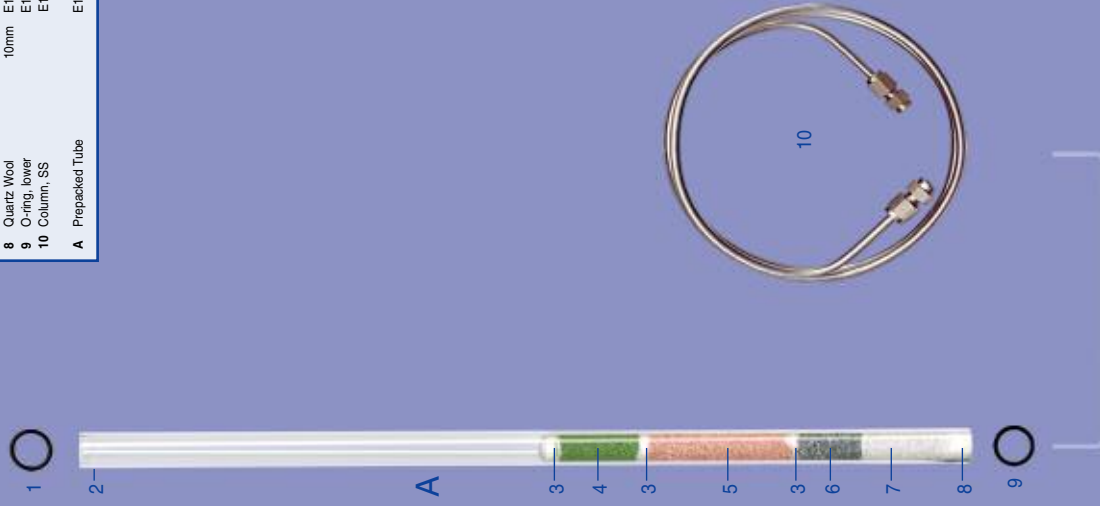
CN/N DETERMINATION

| Product | Qty | E no | Cat no | Key |
|------------------------------------|-------|----------|--------|-----|
| a Quartz Wool | 10mm | E10514 | B1017 | |
| b Tube | | E13505 | C1014 | |
| c Carbosorb 0,7-1,2mm | 155mm | E10503 | B1236 | |
| d Quartz Wool | 5mm | E10514 | B1017 | |
| e Magnesium Perchlorate, granular | 70mm | E10507 | B1019 | |
| 1 O-ring, upper | | E13536 | E1504 | |
| 2 Tube | | E12510 | C1089 | |
| 3 Quartz Wool | 5mm | E10514 | B1017 | |
| 4 Cr ₂ O ₃ | 100mm | E10101 | B1004 | |
| 5 Silvered Cobaltous Oxide | 50mm | E10160 | B1000 | |
| 6 Quartz Chips | 50mm | E10512 | B1008 | |
| 7 Quartz Wool | 10mm | E10514 | B1017 | |
| 8 O-ring, lower | | E13537 | E1505 | |
| 9 Quartz Wool | 20mm | E10514 | B1017 | |
| 10 Quartz Chips | 50mm | E10512 | B1008 | |
| 11 Copper Wires | 310mm | E10120 | B1046 | |
| 12 Schott Cap Kit | | EA213542 | E1021 | |
| OR Schott Seal | | E13501 | C1008 | |
| 13 Tube | | E10507 | B1019 | |
| 14 Magnesium Perchlorate, granular | | E11505 | E3000 | |
| 15 Column, SS | | E13005 | X1256 | |
| F Prepacked Combustion Tube | | E13010 | X1260 | |
| G Prepacked Reduction Tube | | | | |



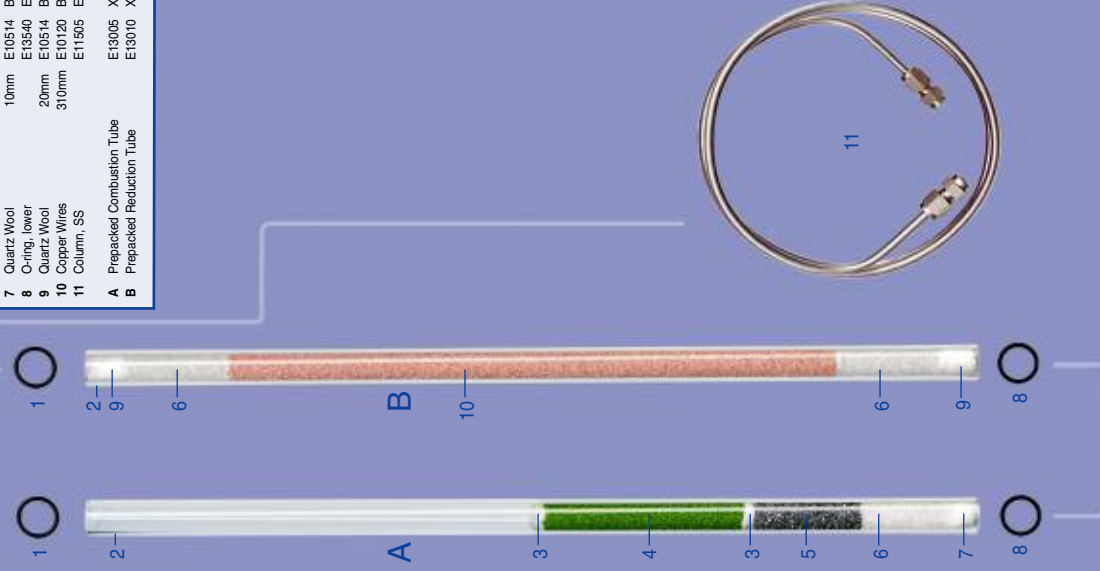
CHN DETERMINATION

| Product | Qty | Ero | Cat no |
|-------------------------------|------|--------|--------|
| 1 O-ring, upper | | E13536 | E1504 |
| 2 Tube | | E12510 | C1099 |
| 3 Quartz Wool | 5mm | E10514 | B1017 |
| 4 Cr2O3 | 45mm | E10101 | B1004 |
| 5 Copper Wires | 65mm | E10120 | B1046 |
| 6 Silvered Cobaltous/ir Oxide | 30mm | E10160 | B1000 |
| 7 Quartz Chips | 50mm | E10512 | B1008 |
| 8 Quartz Wool | 10mm | E10514 | B1017 |
| 9 O-ring, lower | | E13537 | E1505 |
| 10 Column, SS | | E11501 | E3003 |
| A Prepacked Tube | | E13000 | X1262 |



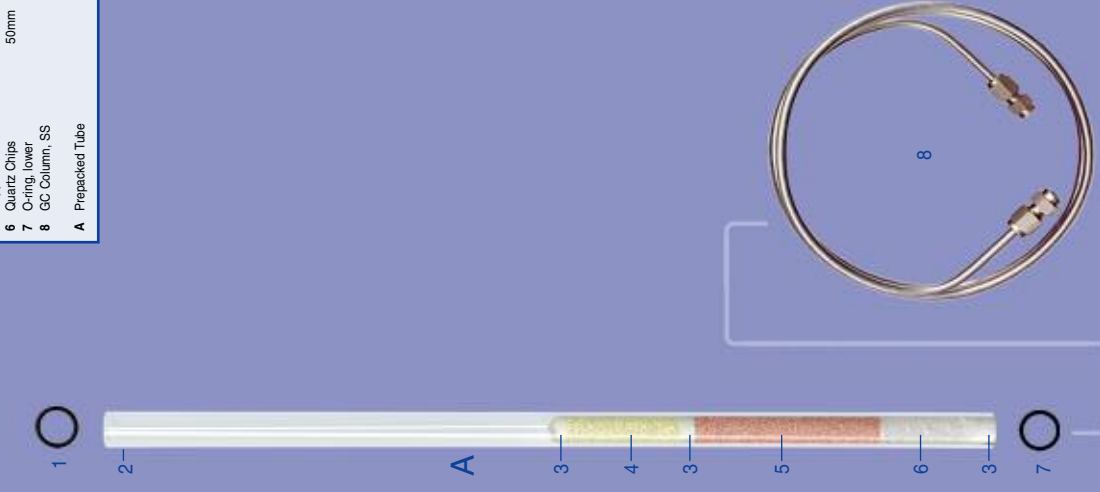
CHN DETERMINATION

| Product | Qty | Ero | Cat no |
|-------------------------------|-------|--------|--------|
| 1 O-ring, upper | | E13536 | E1504 |
| 2 Tube, clear | | E12510 | C1099 |
| 3 Quartz Wool | 5mm | E10514 | B1017 |
| 4 Cr2O3 | 100mm | E10101 | B1004 |
| 5 Silvered Cobaltous/ir Oxide | 50mm | E10160 | B1000 |
| 6 Quartz Chips | 50mm | E10512 | B1008 |
| 7 Quartz Wool | 10mm | E10514 | B1017 |
| 8 O-ring, lower | | E13540 | E1508 |
| 9 Quartz Wool | 20mm | E10514 | B1017 |
| 10 Copper Wires | 310mm | E10120 | B1046 |
| 11 Column, SS | | E11505 | E3000 |
| A Prepacked Combustion Tube | | E13005 | X1258 |
| B Prepacked Reduction Tube | | E13010 | X1260 |



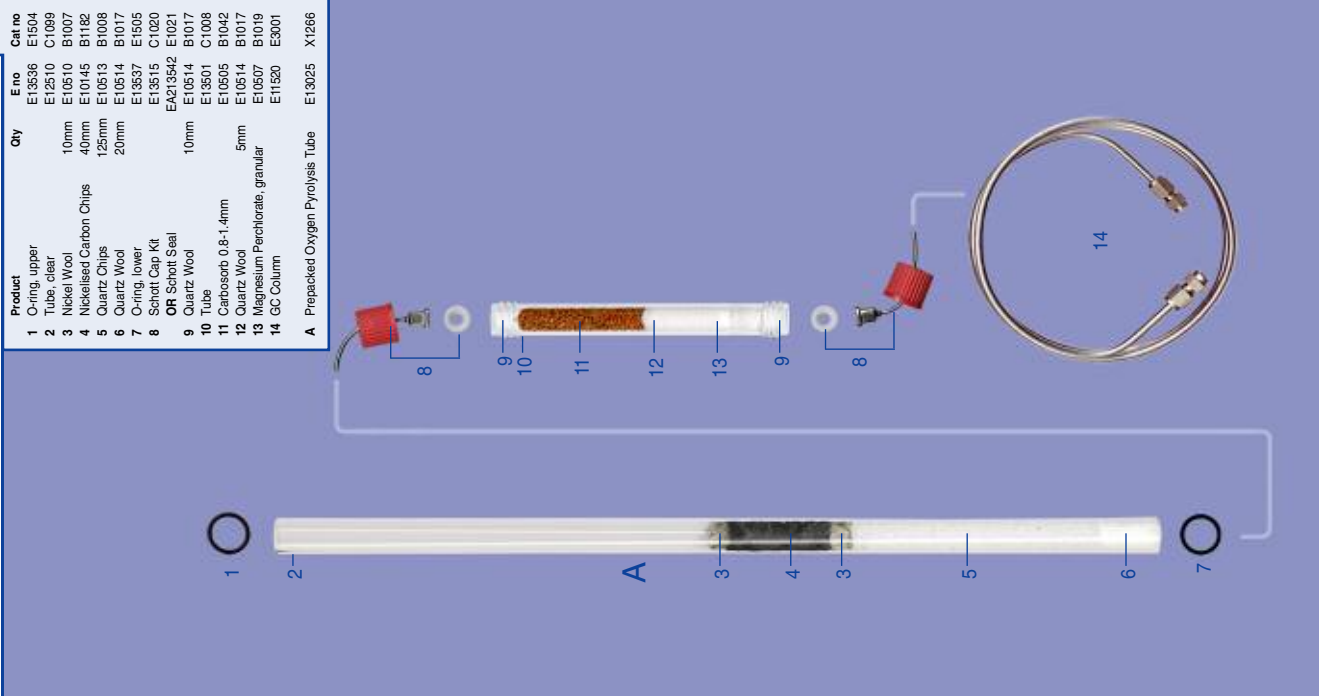
CHNS DETERMINATION

| Product | Qty | Ero | Cat no |
|--|------|--------|--------|
| 1 O-ring, upper | | E13536 | E1504 |
| 2 Tube, clear | | E12510 | C1099 |
| 3 Quartz Wool | 10mm | E10514 | B1017 |
| 4 Tungstic Oxide on Alumina (or pure granular) | 60mm | E10156 | B1031 |
| 5 Copper Wires | 90mm | E10152 | B1025 |
| 6 Quartz Chips | 50mm | E10130 | B1040 |
| 7 O-ring, lower | | E10512 | B1008 |
| 8 GC Column, SS | | E13537 | E1505 |
| A Prepacked Tube | | E11501 | E3003 |
| | | E13001 | X1264 |



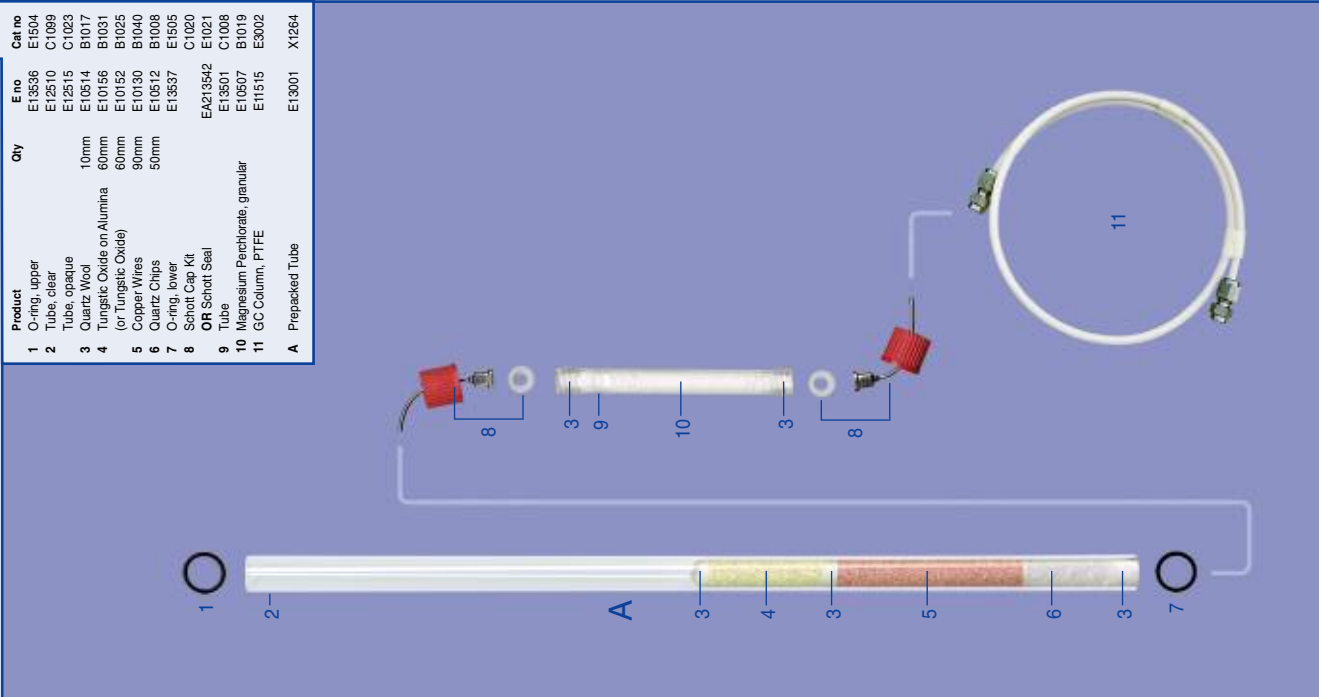
O PYROLYSIS

| Key | |
|------------------------------------|--------|
| Product | E no |
| 1 O-ring, upper | E13536 |
| 2 Tube, clear | E1504 |
| 3 Nickel Wool | E1099 |
| 4 Nickelised Carbon Chips | E1007 |
| 5 Quartz Chips | E1045 |
| 6 Quartz Wool | E1008 |
| 7 O-ring, lower | E1505 |
| 8 Schott Cap Kit | E13537 |
| 9 Quartz Wool | E10514 |
| 10 Tube | E13501 |
| 11 Carbosorb 0.8-1.4mm | E10505 |
| 12 Quartz Wool | E10514 |
| 13 Magnesium Perchlorate, granular | E10507 |
| 14 GC Column | E11520 |
| A Prepacked Oxygen Pyrolysis Tube | E13025 |
| | X1266 |



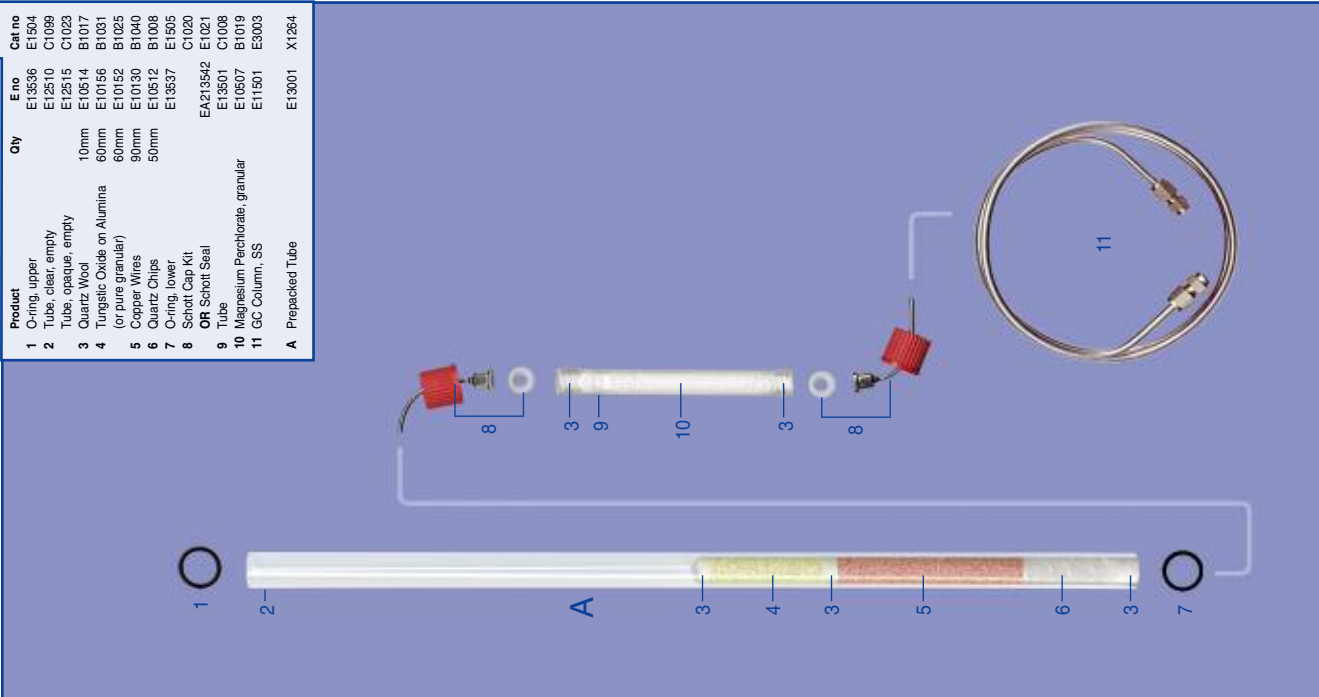
S DETERMINATION

| Key | |
|---|--------|
| Product | E no |
| 1 O-ring, upper | E13536 |
| 2 Tube, clear | E1504 |
| 3 Quartz Wool | E12510 |
| 4 Tungstic Oxide on Alumina (or Tungstic Oxide) | E10514 |
| 5 Copper Wires | E10156 |
| 6 Quartz Chips | E10130 |
| 7 O-ring, lower | E10612 |
| 8 Schott Cap Kit | E13537 |
| 9 Tube | E13501 |
| 10 Magnesium Perchlorate, granular | E10507 |
| 11 GC Column, PTFE | E11515 |
| A Prepacked Tube | E13001 |
| | X1264 |



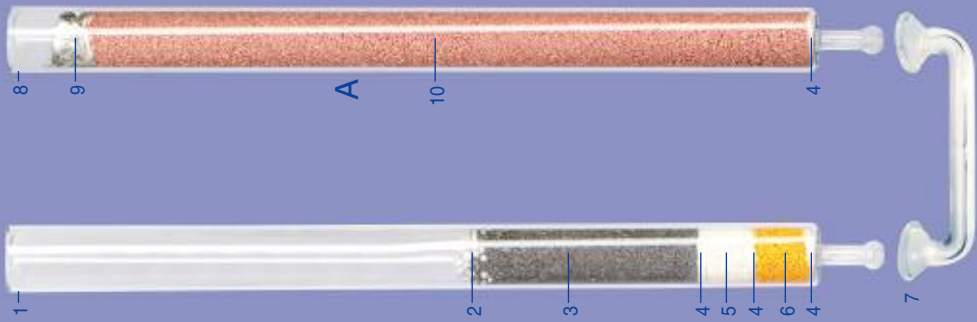
NCS DETERMINATION

| Key | |
|--|----------|
| Product | E no |
| 1 O-ring, upper | E13536 |
| 2 Tube, clear, empty | E12510 |
| 3 Quartz Wool | E12515 |
| 4 Tungstic Oxide on Alumina (or pure granular) | E10514 |
| 5 Copper Wires | E10156 |
| 6 Quartz Chips | E10130 |
| 7 O-ring, lower | E10612 |
| 8 Schott Cap Kit | E13537 |
| 9 Tube | E13501 |
| 10 Magnesium Perchlorate, granular | EA213542 |
| 11 GC Column, SS | E10507 |
| A Prepacked Tube | E11501 |
| | X1264 |



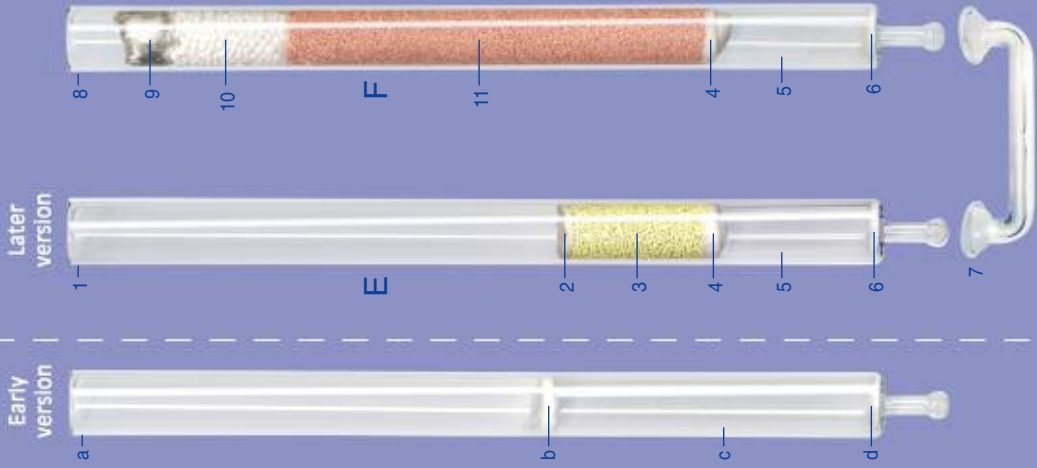
CHN DETERMINATION

| Product | Cat no | Qty | Elementar no | Cat no | Key |
|--|--------------|-------|--------------|--------|-----|
| A Prepacked Reduction Tube Vario EL3 using C3009 (11.00-1150/4) tube | X2500 | | | | |
| 1 Combustion Tube | 11.00-1150/4 | 3 mm | C3009 | C3009 | |
| 2 Corundum Balls | 50 008 467 | 90 mm | B1090 | B1090 | |
| 3 Copper Oxide Wires | 03 679 905 | 5 mm | B1222 | B1222 | |
| 4 Quartz Wool | 03 679 908 | 20 mm | B1208 | B1208 | |
| 5 Cerium Dioxide, granular | 03 679 915 | 20 mm | B1028 | B1028 | |
| 6 Lead Chromate, granular | 03 679 914 | 20 mm | B1207 | B1207 | |
| 7 Connecting Tube | 11.00-1331 | | C3022 | C3022 | |
| 8 Reaction Tube | 11.00-1308/4 | | C3010 | C3010 | |
| Note: EL3 uses | 11.00-1150/4 | 20 mm | C3009 | C3009 | |
| 9 Silver Wool | 22 131 365 | | B1231 | B1231 | |
| 10 Copper Wires | 03 679 925 | | B1015 | B1015 | |



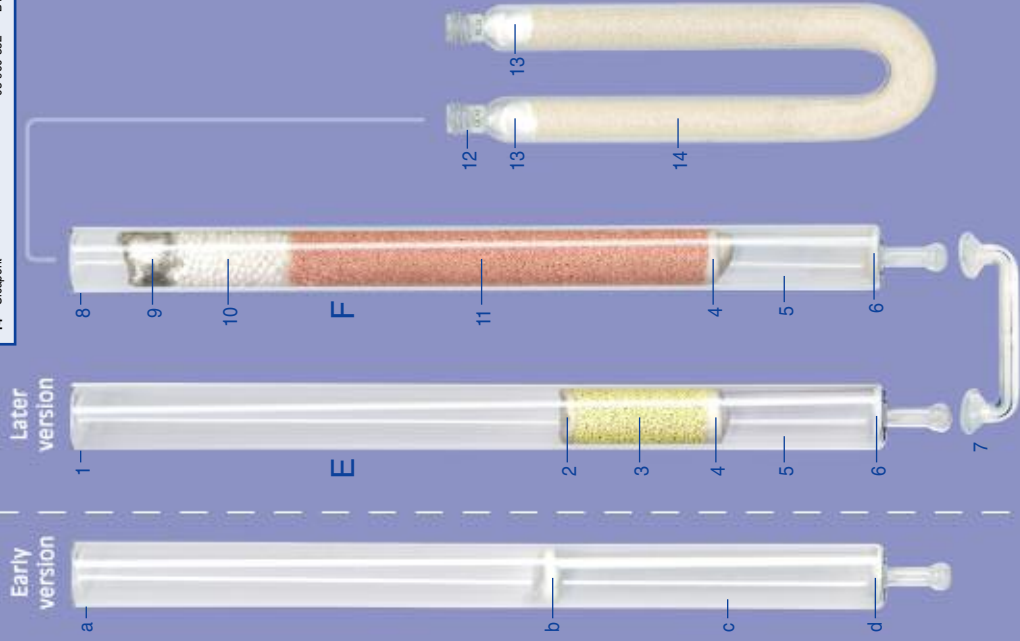
CHNS DETERMINATION

| Product | Cat no | Qty | Elementar no | Cat no | Key |
|--|--------------|--------|--------------|--------|-----|
| a Combustion Tube, early version | 11.00-1150/4 | 3 mm | C3009 | C3009 | |
| b Alumina Wool | 05 000 086 | 10 mm | B1089 | B1089 | |
| c Support Tube | 11.00-1171/4 | 133 mm | C3016 | C3016 | |
| d Quartz Wool | 03 679 908 | 15 mm | B1017 | B1017 | |
| E Prepacked Reaction Tube using C3009 tube | X2502 | | | | |
| F Prepacked Reduction Tube | X2301 | | | | |
| 1 Combustion Tube | 11.00-1150/4 | 3 mm | C3009 | C3009 | |
| 2 Corundum Balls | 50 008 467 | 55 mm | B1217 | B1217 | |
| 3 Tungsten (VI) Oxide, granular | 11.02-0008 | 10 mm | B1208 | B1208 | |
| 4 Quartz Wool | 03 679 908 | 10 mm | B1208 | B1208 | |
| 5 Support Tube | 11.00-1172/4 | 65 mm | C3017 | C3017 | |
| 6 Quartz Wool | 03 679 908 | 5 mm | B1208 | B1208 | |
| 7 Connecting Tube | 11.00-1331 | | C3022 | C3022 | |
| 8 Reaction Tube | 11.00-1308/4 | | C3010 | C3010 | |
| Note: EL3 uses | 11.00-1150/4 | 25 mm | C3009 | C3009 | |
| 9 Silver Wool | 22 131 365 | 46 mm | B1231 | B1231 | |
| 10 Corundum Balls | 50 008 467 | 170 mm | B1090 | B1090 | |
| 11 Copper Wires | 03 679 924 | | B1015 | B1015 | |



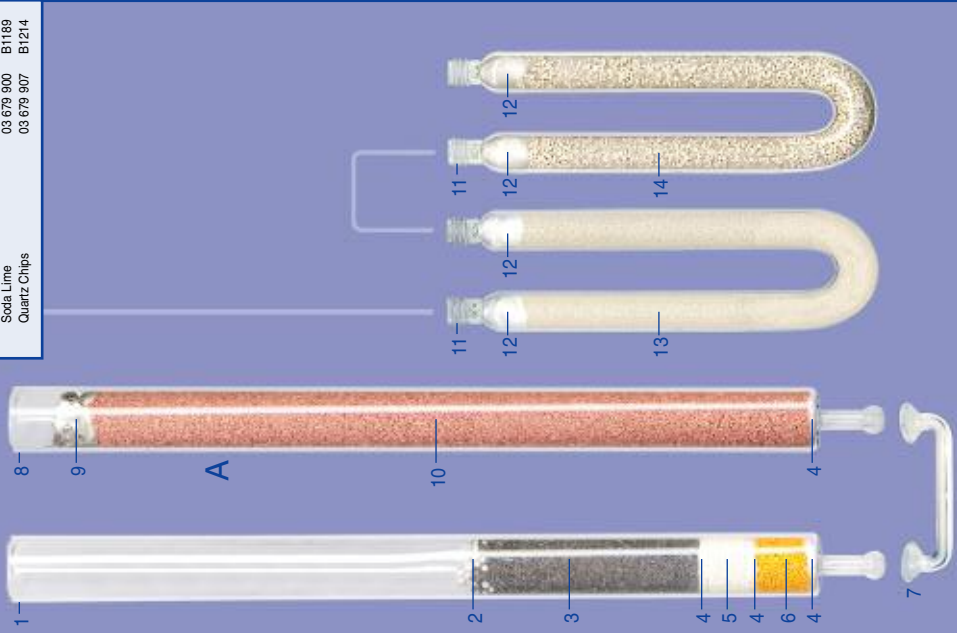
CNS DETERMINATION

| Product | Cat no | Qty | Elementar no | Cat no | Key |
|--|--------------|--------|--------------|--------|-----|
| a Combustion Tube, early version | 11.00-1150/4 | 3 mm | C3009 | C3009 | |
| b Alumina Wool | 05 000 086 | 10 mm | B1089 | B1089 | |
| c Support Tube | 11.00-1171/4 | 133 mm | C3016 | C3016 | |
| d Quartz Wool | 03 679 908 | 15 mm | B1017 | B1017 | |
| E Prepacked Reaction Tube using C3009 tube | X2502 | | | | |
| F Prepacked Reduction Tube | X2301 | | | | |
| 1 Combustion Tube | 11.00-1150/4 | 3 mm | C3009 | C3009 | |
| 2 Corundum Balls | 50 008 467 | 55 mm | B1217 | B1217 | |
| 3 Tungsten (VI) Oxide, granular | 11.02-0008 | 10 mm | B1208 | B1208 | |
| 4 Quartz Wool | 03 679 908 | 10 mm | B1208 | B1208 | |
| 5 Support Tube | 11.00-1172/4 | 65 mm | C3017 | C3017 | |
| 6 Quartz Wool | 03 679 908 | 5 mm | B1208 | B1208 | |
| 7 Connecting Tube | 11.00-1331 | | C3022 | C3022 | |
| 8 Reaction Tube | 11.00-1308/4 | | C3010 | C3010 | |
| Note: EL3 uses | 11.00-1150/4 | 25 mm | C3009 | C3009 | |
| 9 Silver Wool | 22 131 365 | 45 mm | B1231 | B1231 | |
| 10 Corundum Balls | 50 008 467 | 170 mm | B1090 | B1090 | |
| 11 Copper Wires | 03 679 924 | | B1015 | B1015 | |
| 12 Tube | 22 160 301/4 | 20 mm | C3015 | C3015 | |
| 13 Quartz Wool | 03 679 908 | | B1017 | B1017 | |
| 14 Siccant | 03 960 352 | | B1197 | B1197 | |



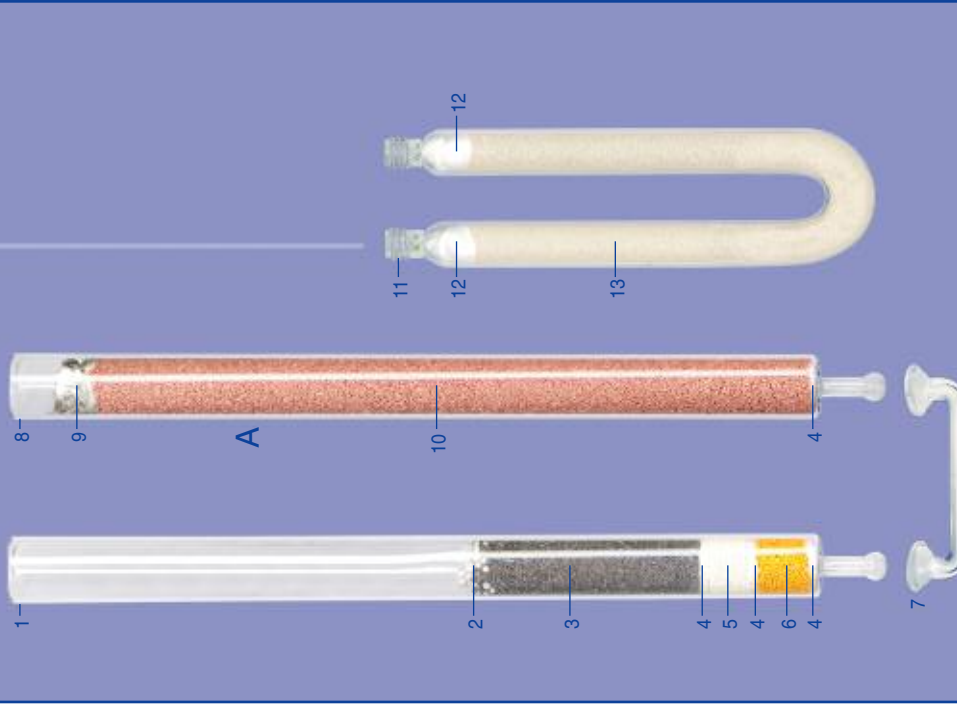
N DETERMINATION

| Product | Cat no | Elementar no | Qty | Key |
|--|--------|--------------|-------|-------|
| A Prepacked Reduction Tube Vario EL3 - using C3009 (11.00-1150/4) tube | X2500 | 11.00-1150/4 | 1 | C3009 |
| | | 50.008.467 | 3 mm | B1090 |
| | | 03.679.905 | 90 mm | B1122 |
| | | 03.679.908 | 5 mm | B1208 |
| | | 03.679.915 | 20 mm | B1028 |
| | | 11.00-1331 | 20 mm | C3022 |
| | | 11.00-1308/4 | 20 mm | C3010 |
| | | 11.00-1150/4 | 20 mm | C3009 |
| | | 22.131.365 | 20 mm | B1231 |
| | | 03.679.925 | 20 mm | B1015 |
| | | 22.160.301/4 | 20 mm | C3015 |
| | | 03.679.908 | 20 mm | B1208 |
| | | 03.960.352 | 20 mm | B1197 |
| | | 03.679.900 | | B1169 |
| | | 03.679.907 | | B1214 |



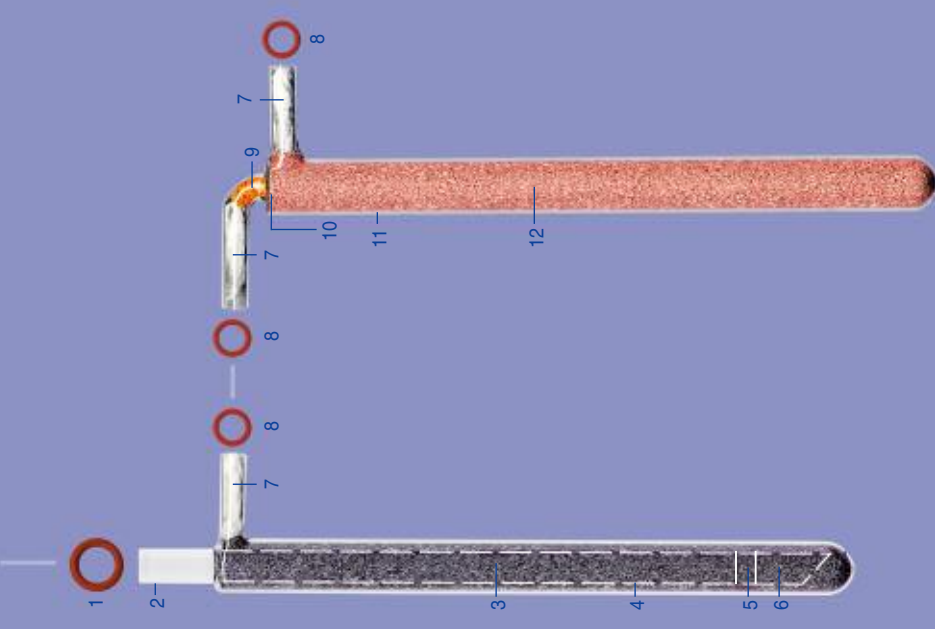
CN DETERMINATION

| Product | Cat no | Elementar no | Qty | Key |
|--|--------|--------------|-------|-------|
| A Prepacked Reduction Tube Vario EL3 - using C3009 (11.00-1150/4) tube | X2500 | 11.00-1150/4 | 1 | C3009 |
| | | 50.008.467 | 3 mm | B1090 |
| | | 03.679.905 | 90 mm | B1122 |
| | | 03.679.908 | 5 mm | B1208 |
| | | 03.679.915 | 20 mm | B1028 |
| | | 11.00-1331 | 20 mm | C3022 |
| | | 11.00-1308/4 | 20 mm | C3010 |
| | | 11.00-1150/4 | 20 mm | C3009 |
| | | 22.131.365 | 20 mm | B1231 |
| | | 03.679.925 | 20 mm | B1015 |
| | | 22.160.301/4 | 20 mm | C3015 |
| | | 03.679.908 | 20 mm | B1208 |
| | | 03.960.352 | 20 mm | B1197 |



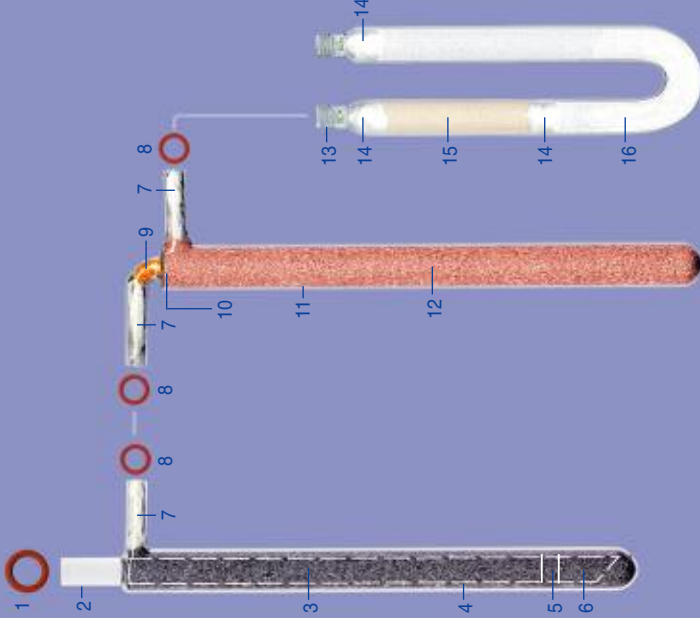
CHN DETERMINATION

| Product | Qty | Elementar no | Cat no | Key |
|--|-------|--------------|--------|-----|
| 1 O-ring, upper | | 03.654.814 | E1055 | |
| 2 Combustion Tube | | 22.133.210/3 | C3019 | |
| 3 Copper Oxide Wires | | 03.679.905 | B1218 | |
| 4 Inner tube containing: Nickel Gauze Pelocplade | | 22.127.313 | D6001 | |
| 5 Combustion Tube insert, silica | | - | - | |
| 6 Quartz Wool (inner tube) | 10 mm | 03.679.908 | B1208 | |
| 7 Cerium Oxide (inner tube) | 30 mm | 03.679.915 | B1028 | |
| 8 O-ring | 2.5 g | 22.131.365 | B1231 | |
| 9 Lead Chromate | 6 g | 03.654.603 | E1016 | |
| 10 Quartz Wool | 6 g | 03.679.914 | B1207 | |
| 11 Reduction Tube | 5 mm | 03.679.908 | B1208 | |
| 12 Copper Wires | | 22.127.245 | C3005 | |
| | | 03.679.924 | B1015 | |



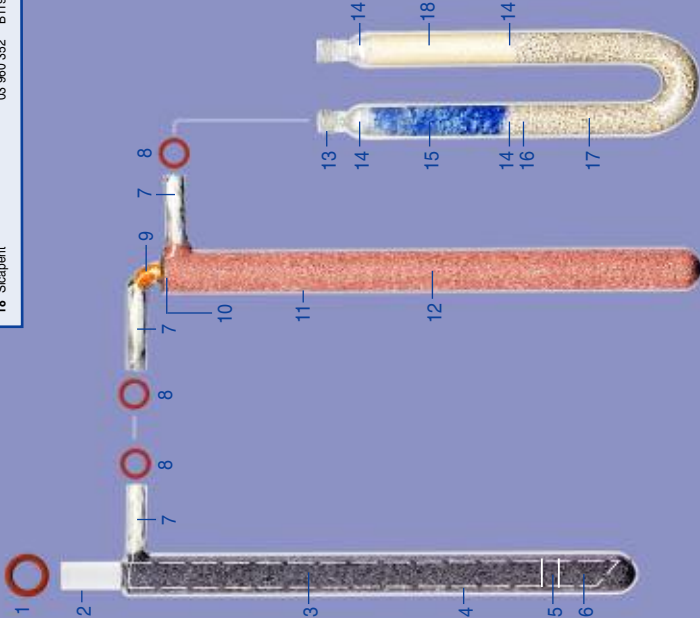
CN DETERMINATION

| Product | Qty | Elementar no | Cat no |
|---|--------------|--------------|--------|
| 1 O-ring, upper | 03 854 814 | E1055 | |
| 2 Combustion Tube | 22 133 210/3 | C3019 | |
| 3 Copper Oxide Wires | 03 679 905 | B1218 | |
| 4 Inner tube containing: Nickel Gauze Receptacle | 22 127 313 | D6001 | |
| 5 Quartz Wool (inner tube) | 03 679 908 | B1208 | |
| 6 Cerium Oxide (inner tube) | 03 679 915 | B1028 | |
| 7 Silver Wool | 22 131 365 | B1231 | |
| 8 O-ring | 03 854 603 | E1016 | |
| 9 Lead Chromate | 6 g | 03 679 914 | B1207 |
| 10 Quartz Wool | 5 mm | 03 679 908 | B1208 |
| 11 Reduction Tube | 22 127 245 | C3005 | |
| 12 Copper Wires | 03 679 924 | B1015 | |
| 13 Tube | 22 160 294 | C3007 | |
| 14 Quartz Wool | 10 mm | 03 679 908 | B1208 |
| 15 Scapent (MgClO ₄) | 03 860 352 | B1197 | |
| 16 MgClO ₄ /Quartz Chips 1:1 (Quartz Chips) | 03 860 352 | B1101 | |
| | 03 679 907 | B1214 | |



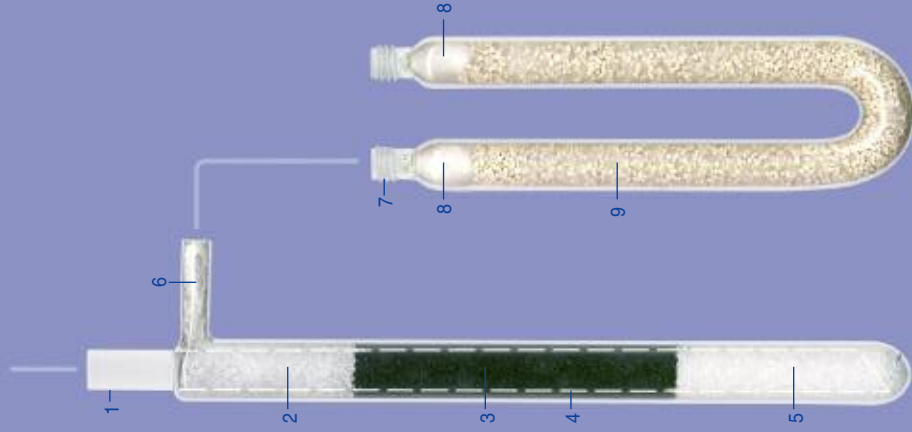
N DETERMINATION

| Product | Qty | Elementar no | Cat no |
|---|--------------|--------------|--------|
| 1 O-ring, upper | 03 854 814 | E1055 | |
| 2 Combustion Tube | 22 133 210/3 | C3019 | |
| 3 Copper Oxide Wires | 03 679 905 | B1218 | |
| 4 Inner tube containing: Nickel Gauze Receptacle | 22 127 313 | D6001 | |
| 5 Quartz Wool (inner tube) | 03 679 908 | B1208 | |
| 6 Cerium Oxide (inner tube) | 03 679 915 | B1028 | |
| 7 Silver Wool | 22 131 365 | B1231 | |
| 8 O-ring | 03 854 603 | E1016 | |
| 9 Lead Chromate | 6 g | 03 679 914 | B1207 |
| 10 Quartz Wool | 5 mm | 03 679 908 | B1208 |
| 11 Reduction Tube | 22 127 245 | C3005 | |
| 12 Copper Wires | 03 679 924 | B1015 | |
| 13 Tube | 22 160 294 | C3007 | |
| 14 Quartz Wool | 10 mm | 03 679 908 | B1208 |
| 15 Silica Gel - Blue | 03 860 157 | B1044 | |
| 16 Soda Lime | 03 679 900 | B1189 | |
| 17 Soda Lime/Quartz Chips 1:1 (Soda Lime) | 03 679 900 | B1189 | |
| 18 Scapent (Quartz Chips) | 03 679 907 | B1214 | |
| | 03 860 352 | B1197 | |



O DETERMINATION

| Product | Qty | Elementar no | Cat no |
|--|--------------|--------------|--------|
| 1 Pyrolysis Tube | 22 133 210/3 | C3019 | |
| 2 Quartz Chips | 03 679 907 | B1214 | |
| 3 Carbon Granules | 03 679 910 | B1043 | |
| 4 Inner Tube, containing: Pyrolysis Tube Insert, silica | 22 133 211/4 | C3020 | |
| 5 Quartz Chips (inner + outer tube) | 03 679 907 | B1214 | |
| 6 Silver Wool | 22 131 365 | B1231 | |
| 7 Tube | 22 160 294 | C3007 | |
| 8 Quartz Wool | 10 mm | 03 679 908 | B1208 |
| 9 Soda Lime/Quartz Chips 1:1 (Soda Lime) | 03 679 900 | B1189 | |
| 10 Quartz Chips | 03 679 907 | B1214 | |



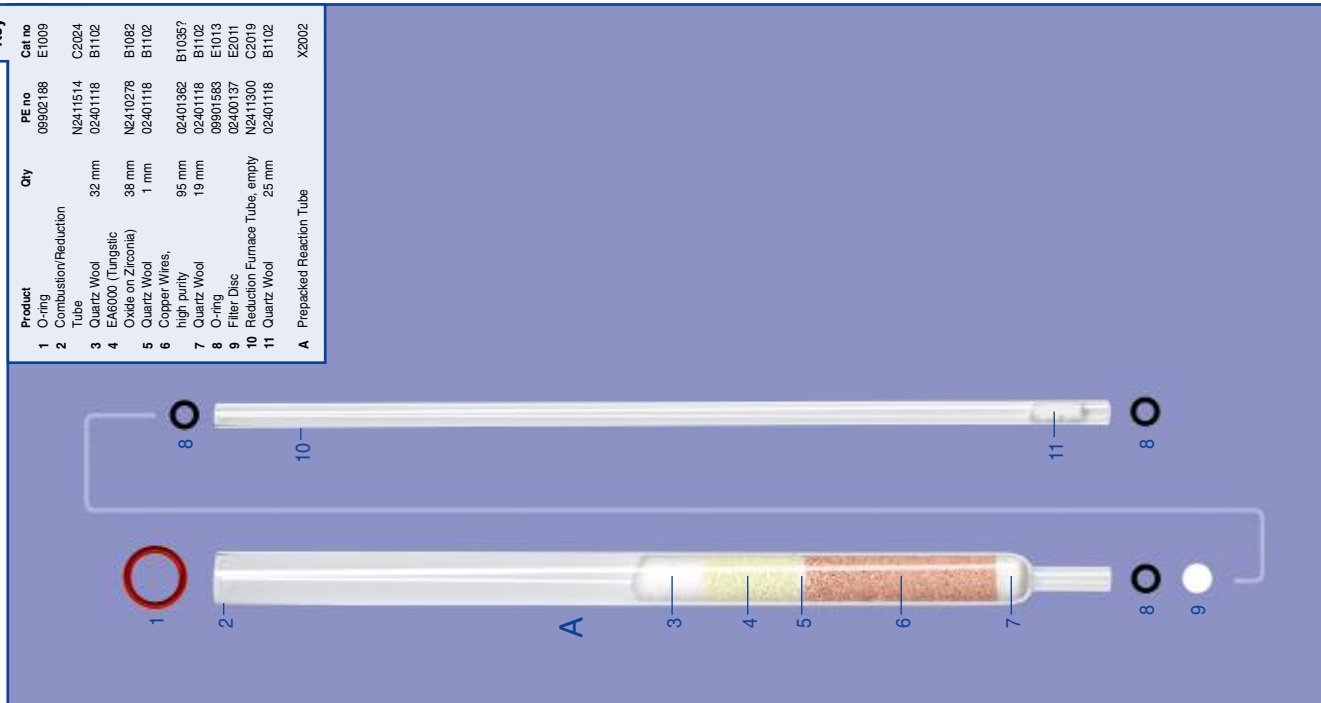
O DETERMINATION

| Product | PE no. | Cat no. |
|------------------------------------|----------|---------|
| 1 O-ring | 09902188 | E1009 |
| 2 Oxygen Pyrolysis Tube | N2411235 | C2018 |
| 3 Quartz Wool | 02401118 | B1102 |
| 4 Platinum Gauze | N2411273 | D7006 |
| 5 Quartz Wool | 02401118 | B1102 |
| 6 Platinised Carbon | 02400119 | B1005 |
| 7 Copper Wires | 02401382 | B1015 |
| 8 Silver Gauze | N2410145 | B1037 |
| 9 (No packing) | | |
| 10 O-ring | 02401583 | E1013 |
| 11 Filler Disc | 02400137 | E2011 |
| 12 Reduction Furnace Tube, empty | N2411300 | C2019 |
| 13 Quartz Wool | 02401118 | B1102 |
| 14 Scrubber Tube | N2411359 | C2021 |
| 15 Quartz Wool | 02401118 | B1102 |
| 16 Cobalt(II) Chloride (Carbosorb) | 02400115 | B1018 |
| 17 Magnesium Perchlorate | 02401119 | B1161 |
| A Prepacked Oxygen Pyrolysis Tube | | X2003 |



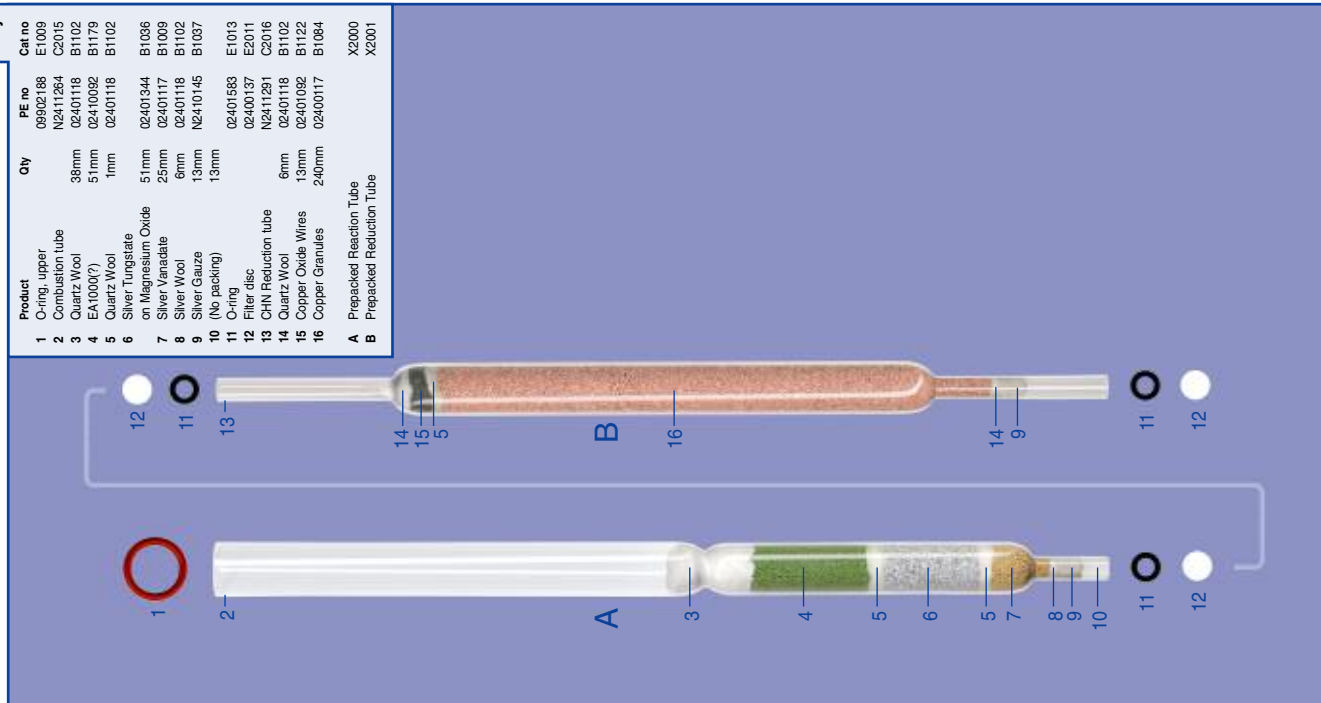
CHNS DETERMINATION

| Product | PE no. | Cat no. |
|---------------------------------------|----------|---------|
| 1 O-ring | 09902188 | E1009 |
| 2 Combustion/Reduction Tube | N2411514 | C2024 |
| 3 Quartz Wool | 02401118 | B1102 |
| 4 EA6000 (Lungstic Oxide on Zirconia) | N2410278 | B1082 |
| 5 Quartz Wool | 02401118 | B1102 |
| 6 Copper Wires, high purity | 02401382 | B1035? |
| 7 Quartz Wool | 02401118 | B1102 |
| 8 O-ring | 09901583 | E1013 |
| 9 Filler Disc | 02400137 | E2011 |
| 10 Reduction Furnace Tube, empty | N2411300 | C2019 |
| 11 Quartz Wool | 02401118 | B1102 |
| A Prepacked Reaction Tube | | X2002 |



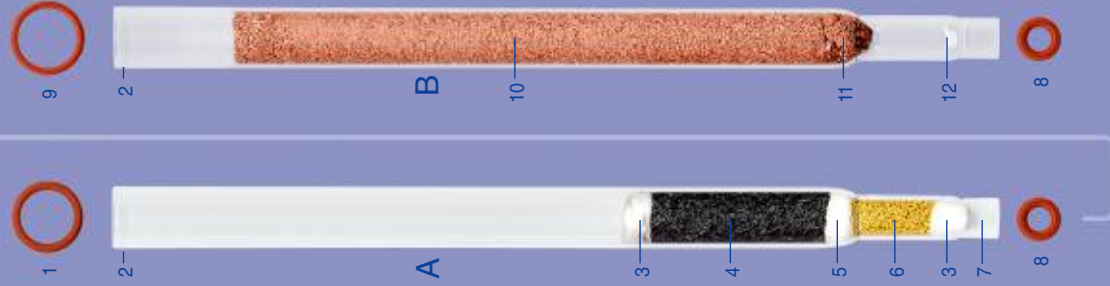
CHN DETERMINATION

| Product | PE no. | Cat no. |
|---------------------------------------|----------|---------|
| 1 O-ring, upper | 09902188 | E1009 |
| 2 Combustion tube | N2411284 | C2015 |
| 3 Quartz Wool | 02401118 | B1102 |
| 4 EA1000(?) | 02410092 | B1179 |
| 5 Quartz Wool | 02401118 | B1102 |
| 6 Silver Tungstate on Magnesium Oxide | 02401344 | B1036 |
| 7 Silver Vanadate | 02401117 | B1009 |
| 8 Silver Wool | 02401118 | B1102 |
| 9 Silver Gauze | N2410145 | B1037 |
| 10 (No packing) | | |
| 11 O-ring | 02401583 | E1013 |
| 12 Filler disc | 02400137 | E2011 |
| 13 CHN Reduction tube | N2411291 | C2016 |
| 14 Quartz Wool | 02401118 | B1102 |
| 15 Copper Oxide Wires | 02401092 | B1122 |
| 16 Copper Granules | 02400117 | B1084 |
| A Prepacked Reaction Tube | | X2000 |
| B Prepacked Reduction Tube | | X2001 |



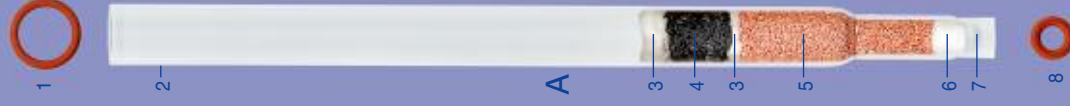
LECO® CHN-900

| Key | | Leco® no | Cat no |
|-----|-----------------------------|------------|--------|
| 1 | O-ring, upper | 605-880 | E1126 |
| 2 | Oxidation Tube (Quartz) | 605-875 | C4002 |
| 3 | Quartz Wool | 502-177 | B1102 |
| 4 | Copper Oxide Wire | 502-190 | B1125 |
| 5 | Quartz Wool | 502-177 | B1102 |
| 6 | Silver Vanadate | 502-226 | B1009 |
| 7 | (No packing) | 605-828 | E1035 |
| 8 | O-ring, lower | 605-880 | E1037 |
| 9 | O-ring, upper | 502-304 | B1015M |
| 10 | Copper Wires | OR 502-189 | |
| 11 | Copper Turnings | 501-621 | B1107 |
| 12 | (No packing) | | |
| A | Prepacked Tube CHN/Halogens | | X3002 |
| B | Prepacked Reduction Tube | | X3001 |



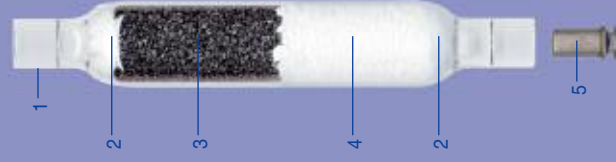
LECO® CHNS-932

| Key | | Leco® no | Cat no |
|-----|------------------------------|------------|--------|
| 1 | O-ring, upper | 605-830 | E1126 |
| 2 | Oxidation Tube (Quartz) | 605-875 | C4002 |
| 3 | Quartz Wool | 502-177 | B1102 |
| 4 | Copper Oxide Wire | 502-190 | B1125 |
| 5 | Copper Sticks | 502-304 | B1015M |
| | | OR 502-189 | |
| 6 | Quartz Wool | 502-177 | B1102 |
| 7 | (No packing) | 605-828 | E1035 |
| 8 | O-ring, lower | | |
| A | Prepacked Reaction Tube CHNS | | X3004 |



LECO® 900/932 GAS SCRUBBING TUBE

| Key | | Leco® no | Cat no |
|-----|---------------|----------|--------|
| 1 | Reagent Tube | 775-601 | C4004 |
| 2 | Glass Wool | 501-081 | B1166 |
| 3 | Lecosorb | 502-174 | B1162 |
| 4 | Anhydrous | 501-171 | B1161 |
| 5 | Screen Filler | 775-306 | E2235 |



Thermo/CE/Fisons/Carlo Erba

| CE Part * | Product | Pack | Cat. no. |
|-----------|---|------|----------|
| 1117400 | Glassy Carbon Chips TC/EA | 25g | C7002 |
| 1121310 | Glassy Carbon Tube TC/EA | 1 | C7001 |
| 1121320 | Ceramic Tube For TC/EA | 1 | C1101 |
| 1121351 | TC/EA Graphite Tube | 1 | C7010 |
| 1132080 | H2O Graphite Tube For TC/EA | 1 | C7011 |
| 1117332 | Graphite Crucible For TC/EA | 1 | C7012 |
| 19001100 | Consumables Kit 1106 S | 1 | X1002 |
| 19001201 | Consumables Kit 1108/II CHN & O | 1 | X1004 |
| 19001202 | Consumables Kit 1108/II CHNS & O | 1 | X1006 |
| 19001203 | Consumables Kit 1108/II CHN | 1 | X1003 |
| 19001204 | Consumables Kit 1108/II CHNS | 1 | X1005 |
| 19001300 | Consumables Kit 1106 O | 1 | X1001 |
| 19001301 | Consumables Kit 1108/II O | 1 | X1007 |
| 19002400 | Consumables Kit 1500/II N | 1 | X1008 |
| 19002401 | Consumables Kit 1500/II NC | 1 | X1009 |
| 19002402 | Consumables Kit 1500/II NCS | 1 | X1010 |
| 19002406 | Consumables Kit 2000 N | 1 | X1011 |
| 19002410 | Cons Kit Flash EA1112 CHN | 1 | X1080 |
| 19002411 | Cons Kit Flash EA1112 CHNS/NCS/S | 1 | X1081 |
| 19002412 | Cons Kit Flash EA1112 CHNS/NCS/S | 1 | X1082 |
| 19002416 | Cons Kit Flash EA1112 Oxygen | 1 | X1083 |
| 19003200 | Consumables Kit 1106 CHN | 1 | X1000 |
| 19004128 | TOC (Total Organic Carbon) Kit | 1 | E5010 |
| 19004205 | Packed Reactor N NA2000 stainless steel | 1 | X1033 |
| 19004220 | Flash EA1112 Cons Package A Solid | 1 | X1050 |
| 20500500 | Forceps Stainless Curved | 1 | E2016 |
| 20503002 | Sealing Device Liquid Samples | 1 | E5109 |
| 20901400 | Furnace Amplifier Exchange | 1 | E2133 |
| 20901500 | Oven Amplifier Exchange | 1 | E2132 |
| 23101008 | Water Scrubber Tube, threaded | 1 | C1008 |
| 23903100 | Timer - Program 1106/1400 | 1 | E2012 |
| 24000700 | Doping Vessel Chloropentane | 1 | C1042 |
| 24005300 | Capsules Tin 5 x 3.5 | 100 | D1003 |
| 24005400 | Capsules Silver 6 x 4 | 100 | D2007 |
| 24005405 | Capsules Silver 8 x 5 | 100 | D2009 |
| 24006400 | Capsules Tin 8 x 5 | 100 | D1009 |
| 24007200 | Caps Smooth Tin 9 x 3.5 FB | 100 | D4035 |
| 24008015 | Tin Discs - 30mm | 100 | D1066 |
| 24008810 | Caps Smooth Tin 6 x 3 FB | 100 | D4001 |
| 24008820 | Caps Smooth Tin 4.5 x 2 FB | 100 | D4019 |
| 24070005 | Vials 2.5ml | 100 | E2300 |
| 24074020 | Vials 10ml | 100 | E2310 |
| 24806400 | Thermal Printer Paper Roll | 1 | E2067 |
| 25204400 | Swarf Crucible Oxygen 1106 | 5 | C1005 |
| 25204500 | Swarf Crucible CHN 1106 | 5 | C1004 |
| 25205000 | Metal Swarf Crucible | 1 | D6005 |
| 25205010 | SS Crucible Flash EA1112 | 1 | D6050 |
| 25205011 | High Alloy Crucible Flash EA1112 | 1 | F5153 |
| 25208000 | Pans Tin 10 x 10mm | 100 | D5055 |
| 25208020 | Pans Silver 10 x 10mm | 100 | D5076 |
| 26007800 | Separation Column Sulphur 0.8m | 1 | E3002 |
| 26007820 | N2 Column Flash 1112 0.5m | 1 | E3022 |
| 26007900 | Separation Column Oxygen 1m | 1 | E3001 |
| 26008000 | Separation Column CHN 2m | 1 | E3006 |
| 26008200 | Separation Column CHN 2m | 1 | E3000 |
| 26008205 | Separation Column NC 3m | 1 | E3004 |
| 26008206 | Separation Column CHNS NCS 2m | 1 | E3003 |
| 26008207 | Separation Column CHNS NCS 2m | 1 | E3020 |
| 26008208 | Separation Column CHNS NCS 2m PTFE | 1 | E3013 |
| 26018500 | Separation Column Trace S | 1 | E3007 |
| 26070004 | Separation Column NA2000 | 1 | E3005 |
| 28104400 | Halogens Trap 1106 | 1 | C1021 |
| 28113060 | Water/CO2 Scrubber NA2000 | 1 | E2040 |
| 28113090 | CO2 Scrubber 1500 Threaded | 1 | C1014 |
| 28113100 | Scrubbing Tube Kit | 1 | E2350 |
| 28113106 | Water/CO2 Scrubber | 1 | E2047 |
| 29000082 | O Ring - Viton | 2 | E1059 |
| 29004045 | Olive Stainless 2mm | 1 | E2100 |
| 29005046 | O Ring - Nitrile | 1 | E1008 |
| 29013603 | O Ring - Schott | 10 | E1021 |
| 29020640 | Bottom O-Ring Reactor | 1 | E6052 |

| CE Part * | Product | Pack | Cat. no. |
|-----------|---|-------|----------|
| 29020649 | Bottom O-Ring Reactor Flash | 1 | E6051 |
| 29020682 | Top O-Ring Reactor Flash | 1 | E6050 |
| 29030042 | O Ring Square Profile 1500-1 | 5 | E1042 |
| 29030331 | O Ring - Viton | 10 | E1001 |
| 29030567 | O Ring - Viton | 10 | E1200 |
| 29032910 | O Ring Square Profile 1108/1500-2 | 5 | E1041 |
| 29034044 | Aluminium Ferrules 1.6mm (1/16") | 10 | F4540 |
| 29050301 | O Ring - Nitrile | 10 | E1022 |
| 29050304 | O Ring - Nitrile | 10 | E1020 |
| 29050306 | O Ring Square Profile 1106 | 5 | E1043 |
| 29050567 | O Ring - Viton | 10 | E1000 |
| 31302100 | Bipneumatic Valve Diaphragm | 1 | E1011 |
| 31303200 | Septum Liquid Injector | 50 | E2360 |
| 31303209 | Septum Liquid Injector | 50 | E2361 |
| 33406200 | Nickel Sheet 130 X 130mm | 1 | B1024 |
| 33801801 | Molecular Sieve 3A | 25gm | B1021 |
| 33821710 | Copper Oxide Wire | 50gm | B1002 |
| 33821900 | Magnesium Perchlorate | 25gm | B1019 |
| 33822000 | Carbosorb 0.7-1.2mm | 25gm | B1018 |
| 33822100 | Copper Sulphate Hydrated | 250gm | B1114 |
| 33822200 | Silica Wool Fine | 5gm | B1017 |
| 33822300 | Silica Chips | 50gm | B1008 |
| 33822400 | Cyclohexanone2,4-Dinitrophenylhydrazone OAS | 1gm | B2005 |
| 33822500 | Benzoic Acid OAS | 1gm | B2004 |
| 33822800 | Cobaltous/Ic Oxide | 25gm | B1001 |
| 33822900 | Chromium Oxide | 25gm | B1004 |
| 33823400 | Diphenyl OAS | 1gm | B2039 |
| 33823800 | Nickelised Carbon 30% | 5gm | B1086 |
| 33824400 | Atropine OAS | 1gm | B2002 |
| 33824500 | Cobaltous/Ic Oxide Silver | 25gm | B1000 |
| 33824600 | Tungstic Oxide Granular | 25gm | B1025 |
| 33824700 | Nickel Oxide Granular | 25gm | B1034 |
| 33825000 | Nickel Wool | 2gm | B1007 |
| 33825100 | Sulphanilamide OAS | 1gm | B2036 |
| 33825300 | Isatin OAS | 1gm | B2041 |
| 33835200 | Benzylthiuronium Chloride OAS | 1gm | B2007 |
| 33835210 | 2,5-Bis(5-tert-butyl-2-benzo-oxazol-2-yl)thiophene BBOT OAS | 1gm | B2044 |
| 33835220 | Methionine OAS | 25gm | B2100 |
| 33835230 | Soda Lime 1.7- 4mm | 200gm | B1189 |
| 33835235 | Soda Lime 1-2.5mm | 100gm | B1211 |
| 33835240 | Lubricant Standard | 1 | B2145 |
| 33835300 | Copper Wires | 100gm | B1015 |
| 33835310 | Cu Wires - S Analysis | 40gm | B1035 |
| 33835420 | Tungstic Oxide On Alumina | 25gm | B1031 |
| 33835430 | Imidazol OAS | 1gm | B2040 |
| 33836700 | Acetanilide OAS | 1gm | B2000 |
| 33837510 | Vanadium Pentoxide Powder | 10gm | B4001 |
| 33837520 | Phenanthrene Enriched | 1gm | B2113 |
| 33837530 | Chromasorb W 30-60 | 25gm | B3017 |
| 33837540 | Lead Oxide Red, Fine | 1gm | B1039 |
| 33840000 | Oxidation Catalyst NA2000 | 40gm | B1103 |
| 33840002 | Urea OAS | 10gm | B2130 |
| 33840019 | Nicotinamide OAS | 1gm | B2132 |
| 33840023 | Aspartic Acid | 10gm | B2139 |
| 33840024 | Pasta Reference Material | 10gm | B2140 |
| 34715401 | Column Fitting 6 To 2 mm | 1 | E2035 |
| 34736100 | Connector Block 4 Way | 1 | E2096 |
| 34739133 | Tubing Coupling 2mm | 1 | E2095 |
| 34744100 | Tubing Connector 2 To 2mm | 1 | E2094 |
| 35034108 | Connector Tube Push Fit | 1 | E2034 |
| 35036103 | Blanking Cap | 1 | E2099 |
| 35041101 | Knurled Retaining Nut Brass | 1 | E2097 |
| 35045100 | Blanking Nut Brass | 1 | E2050 |
| 35045400 | Blanking Nut | 1 | E2036 |
| 35265000 | Z Fold Chart Paper | 2 | E2068 |
| 35265100 | Recorder Pen | 1 | E2069 |
| 36500204 | Syringe 100ul | 1 | E2362 |
| 36500530 | Syringe 500ul | 1 | E2364 |
| 36502019 | Syringe 10ul | 1 | E2365 |
| 36707800 | Bubble Flowmeter 50CC | 1 | E2038 |
| 38606035 | Al Seal 20mm | 50 | E2311 |
| 38606040 | Al Seal 11mm | 100 | E2301 |

Thermo/CE/Fisons/Carlo Erba (continued)

| CE Part * | Product | Pack | Cat. no. |
|-----------|--|------|----------|
| 39102500 | Tubing Stainless Steel 2mm x 3m | 1 | E2033 |
| 39103800 | Reduction Tube Stainless | 1 | E2020 |
| 40523005 | Purge Valve Autosampler | 1 | E2102 |
| 42001501 | Tubing PTFE 2 x 1mm 5 Metres | 1 | E2030 |
| 42010000 | Flexible Tubing | 3m | E4404 |
| 42501400 | Flow Control 1106 Exchange | 1 | E2131 |
| 42506800 | Pressure Reg 1106 Exchange | 1 | E2130 |
| 46800650 | Packed Reduction NC/N | 1 | X1043 |
| 46800650 | Packed Reduction NC/N | 1 | X1014 |
| 46800660 | Packed Reactor N NA2000 | 1 | X1013 |
| 46800900 | Reaction Tube 1106 Transparent | 1 | C1000 |
| 46801000 | Reduction U Tube Silica | 1 | C1003 |
| 46801600 | Reaction Tube 1500 Transparent | 1 | C1002 |
| 46801700 | Reaction Tube Translucent 1500 | 1 | C1012 |
| 46802005 | Packed Reactor CHNS/NCS/S | 1 | X1012 |
| 46802006 | Packed Reaction/Reduction CHN | 1 | X1034 |
| 46802007 | Packed Combustion/Reduction CHNS/NCS/S | 1 | X1152 |
| 46802008 | Prepacked Reactor EA1112 N/Protein | 1 | X1150 |
| 46820000 | Reaction Tube 1108/1500 II Translucent | 1 | C1023 |
| 46820001 | Reaction Tube Heavy Wall | 1 | C1078 |
| 46820020 | Reaction Tube 1108/1500 II Transparent | 1 | C1022 |
| 46820030 | Reaction Tube 1108 Translucent | 1 | C1019 |
| 46820040 | Liquid Injection Tube | 1 | C1046 |
| 46820050 | Reaction Tube Stainless NA2100 | 1 | E2159 |
| 46820070 | Reaction Tube Flash | 1 | C1069 |
| 46820075 | High Alloy Reactor Flash EA1112 | 1 | F5150 |

*CE Part: The use of CE part numbers is intended for convenience only, and does not imply that the products are of CE origin. All Elemental Microanalysis products are guaranteed to be of high quality and are deemed to be suitable alternatives.

Leco®

| Leco® Part 1 | Product | Pack | Cat. no. |
|--------------|---------------------------------------|-------|----------|
| 190-423 | Screw Lance Assembly FP-528 | 4 | E2201 |
| 190-427 | Screw Zn Plate | 1 | E2185 |
| 190-865 | Screw Nylon | 1 | E2163 |
| 501-001 | Coal Std 0.3% | 50gm | B2300 |
| 501-005 | Coal Std 1% | 50gm | B2304 |
| 501-014 | Coal Std 1.5% | 50gm | B2305 |
| 501-015 | Coal Std 0.85% | 50gm | B2303 |
| 501-022 | Coal Std 3.5% | 50gm | B2309 |
| 501-034 | Calcium Carbonate | 50gm | B2250 |
| 501-045-125 | Ceramic Crucibles | 10 | C4034 |
| 501-046 | Sucrose OAS | 25gm | B2121 |
| 501-053 | Acetanilide OAS | 5gm | B2114 |
| 501-059 | Caps Smooth Tin 18 X 5 RB | 100 | D4003 |
| 501-062 | Boat Puller Assembly | 1 | E2768 |
| 501-077 | Iron Chip Accelerator | 908gm | B1195 |
| 501-081 | Glass Wool Borosilicate | 454gm | B1166 |
| 501-081 | Glass Wool Rope Borosilicate | 454gm | B1266 |
| 501-130 | Coal Std 4% | 50gm | B2310 |
| 501-171 | Emadrone 14-25 Mesh | 454gm | B1161 |
| 501-184 | Coal Std 5% | 50gm | B2311 |
| 501-241 | Silicone Grease | 100gm | E2158 |
| 501-426 | Combustion Aid Solids | 454gm | B1185 |
| 501-427 | Combustion Aid Liqds | 454gm | B1186 |
| 501-520 | Coal Std 3% | 50gm | B2308 |
| 501-561 | Soy Bean Meal OAS | 30g | B2271 |
| 501-563 | Corn Meal | 30g | B2270 |
| 501-571 | Copper Capsules 18 X 6 PRB | 100 | D4100 |
| 501-608 | Quartz Wool Wadding | 200gm | B1522 |
| 501-609 | Furnace Reagent | 100gm | B1191 |
| 501-614 | Spatula | 1 | E2462 |
| 501-621 | Copper Turnings Fine | 200gm | B1107 |
| 501-964 | Coal Std 6% | 50gm | B2312 |
| 501-967 | Extreme Pressure Oil Sulphur Range 2% | 118ml | B2336 |
| 501-968 | Extreme Pressure Oil Sulphur Range 3% | 118ml | B2337 |
| 501-969 | Extreme Pressure Oil Sulphur Range 4% | 118ml | B2338 |
| 502-023 | Filling Funnel | 1 | C4027 |

| Leco® Part 1 | Product | Pack | Cat. no. |
|--------------|---|-------|----------|
| 502-040 | Caps Smooth Tin 18 x 6 RB | 100 | D4007 |
| 502-040-100 | Caps Smooth Tin 18 x 6 RB | 1000 | D4015 |
| 502-049 | Nitrogen Catalyst Pellets | 50gm | B1061 |
| 502-055 | Orchard Leaves Standard | 20g | B2141 |
| 502-071 | High Sulphur Residual Oil Sulphur Range 30% | 118ml | B2230 |
| 502-085 | Zinc Sulphide Standard | 50gm | B2260 |
| 502-167 | Caps Smooth Tin 20 x 8 RB | 100 | D4009 |
| 502-174 | Emasorb A 14-25 Mesh | 500gm | B1162 |
| 502-176 | Emasorb B 7-14 Mesh | 500gm | B1164 |
| 502-177 | Silica Wool Fine | 50gm | B1102 |
| 502-181 | Tungstic Oxide Granular | 60gm | B1217 |
| 502-186 | Tin Foil Cones | 100 | D9001 |
| 502-188 | Aluminium Oxide Pellets | 200gm | B1163 |
| 502-189 | Copper Wires | 100gm | B1015M |
| 502-190 | Copper Oxide Wires | 100gm | B1125 |
| 502-202 | Coal Std 0.5% | 50gm | B2301 |
| 502-203 | Stearic Acid OAS | 5gm | B2102 |
| 502-204 | 3,5-Dntrbnzoic Acid OAS | 5gm | B2118 |
| 502-205 | Caffeine OAS | 5gm | B2104 |
| 502-206 | Capsules Silver 4 x 3.2 | 500 | D2000 |
| 502-207 | Cystine OAS | 5gm | B2105 |
| 502-208 | Sulphanilamide OAS | 1gm | B2036 |
| 502-209 | Sulphamethazine OAS | 5gm | B2106 |
| 502-226 | Silver Vanadate Reagent | 10gm | B1009 |
| 502-227 | Capsules Tin 4 x 3.2 | 500 | D1000 |
| 502-272 | Corn Gluten OAS | 30g | B2272 |
| 502-273 | Alfalfa OAS | 30g | B2273 |
| 502-275 | Rye Flour OAS | 30g | B2275 |
| 502-276 | Oatmeal OAS | 30g | B2276 |
| 502-277 | Barley OAS | 30g | B2277 |
| 502-278 | Rice OAS | 30g | B2278 |
| 502-283 | Adsorbant Discs 3.5mm | 100 | E2105 |
| 502-304-500 | Copper Wires Pound Pack | 454gm | B1083M |
| 502-310 | Iron Wool | 454gm | B1165 |
| 502-338 | Cellulose Capsules, Small | 400 | D9004 |
| 502-359 | Magnesium Oxide Beads | 200gm | B1190 |
| 529-026 | Ceramic Crucibles | 50 | C4039 |
| 589-305 | Seal | 1 | E1132 |
| 589-551 | O Ring | 1 | E1112 |
| 601-132 | Comb U Tube CHN800 | 1 | C4330 |
| 601-387 | Cooling Plate | 1 | E2165 |
| 601-390 | Furnace Filter Tube | 1 | C4037 |
| 601-437 | Catalyst Heater Tube | 1 | C4023 |
| 601-442 | O Ring | 1 | E1101 |
| 601-483 | Printer Paper | 1 | E2152 |
| 601-484 | Printer Ribbon Cartridge | 1 | E2153 |
| 601-504 | O Ring | 1 | E1103 |
| 601-684 | O Ring | 1 | E1344 |
| 601-691 | Pinch Valve Tubing | ft | E2150 |
| 601-876 | Cylinder Brass | 1 | E2183 |
| 601-883 | Sealing Piston | 1 | E2238 |
| 601-939 | O Ring | 1 | E1102 |
| 601-963 | Caps Smooth Tin 4 x 3.5 FB | 100 | D4032 |
| 601-981 | Side Arm Brush | 1 | E2154 |
| 602-605 | Tube Fitting Nylon | 1 | E2181 |
| 602-672 | Spring Dosing Valve | 1 | E2167 |
| 603-350 | O Ring Installation Tube | 1 | E2464 |
| 604-541 | Lance | 1 | C4033 |
| 605-828 | O Ring | 1 | E1105 |
| 605-830 | O Ring | 1 | E1126 |
| 605-875 | Combustion Tube | 1 | C4002 |
| 606-121 | Sample Drop Plate SS | 1 | E2230 |
| 608-130 | Inner Pyrolysis Tube | 1 | C7000 |
| 608-342 | Inner Silica Tube | 1 | C4053 |
| 608-344 | Outer Ceramic Tube | 1 | C4052 |
| 608-379 | Quartz Wool Strips | 10 | B1192 |
| 608-505 | Inner Ceramic Tube | 1 | C4059 |
| 614-961-110 | Porous Crucibles (Pack 10) | 1 | C4065 |
| 614-962 | Oxygen Lance | 1 | C4066 |
| 616-108 | Combustion Tube FP528 | 1 | C4057 |
| 616-138 | O-Ring Combustion Tube FP528 | 1 | E1140 |
| 616-146 | Oxygen Lance | 1 | C4051 |

Leco® (continued)

| Leco® Part ¹ | Product | Pack | Cat. no. |
|-------------------------|---|-------|----------|
| 616-147 | Lance Assembly Complete | 1 | E2199 |
| 616-504 | Particle Filter | 1 | E2369 |
| 617-136 | O Ring | 1 | E1345 |
| 617-548 | Reagent Tube | 1 | C4332 |
| 502-226 | Combustion Tube Truspec | 1 | C4338 |
| 760-224 | O Ring | 1 | E1127 |
| 761-929 | Crucible Tong | 1 | E2471 |
| 763-265 | Glass Wool Borosilicate | 227gm | B1167 |
| 763-265 | Glass Wool Rope Borosilicate | 227gm | B1267 |
| 763-379 | O Ring | 1 | E1107 |
| 765-976 | O Ring | 1 | E1133 |
| 767-757 | Coal Std 2% | 50gm | B2306 |
| 767-758 | Coal Std 2.5% | 50gm | B2307 |
| 767-759 | Coke Standard Sulphur Range 0.9% | 50gm | B2316 |
| 768-980 | Filter | 1 | E2151 |
| 770-764 | Paper Roll SC32/132/232 | 1 | E2244 |
| 770-778 | Printer Ribbon | 1 | E2237 |
| 771-030 | Reagent Tube | 1 | C4032 |
| 771-407 | O-Ring | 1 | E1311 |
| 772-269 | O Ring | 10 | E1109 |
| 772-520 | O Ring | 1 | E1110 |
| 772-738 | O Ring | 1 | E1111 |
| 772-910 | O Ring | 1 | E1100 |
| 773-661 | Tube Fitting Brass | 1 | E2182 |
| 773-913 | O Ring | 1 | E1114 |
| 774-283 | O Ring | 1 | E1129 |
| 774-368 | Reagent Tube 6" | 1 | C4337 |
| 774-425 | O Ring | 1 | E1342 |
| 774-613 | O Ring | 1 | E1130 |
| 775-306 | Secondary (Screen) Filter | 1 | E2235 |
| 775-601 | Reagent Tube | 1 | C4004 |
| 775-880 | Filter Tube | 1 | C4005 |
| 776-279 | Catalyst Tube | 1 | C4006 |
| 776-283 | Lance | 1 | C4025 |
| 776-284 | O Ring | 1 | E1115 |
| 776-286 | Comb U Tube CHN600 | 1 | C4331 |
| 778-114 | O Ring | 1 | E1131 |
| 778-116 | O Ring | 1 | E1116 |
| 778-120 | Gasket | 1 | E1125 |
| 780-899 | Honeycomb Ceramic | 1 | C4058 |
| 780-911 | Reduction Tube | 1 | C4020 |
| 781-585 | Thermocouple Type S | 1 | E2371 |
| 782-079-110 | Ceramic Stop High Flow | 1 | C4061 |
| 783-189 | O-Ring | 1 | E1329 |
| 783-275 | Lance Holder Block | 1 | E2197 |
| 783-276 | Lance Holder Cover | 1 | E2198 |
| 783-608 | Anhydrous Tube (Large) | 1 | C4336 |
| 783-897 | O-Ring | 1 | E1328 |
| UK-7753 | Crucible Transparent Silica (Silica version of 529-026) | 50 | C4046 |

¹Leco® Part: The use of Leco® part numbers is intended for convenience only, and does not imply that the products are of Leco® origin. All Elemental Microanalysis products are guaranteed to be of high quality and are deemed to be suitable alternatives.

Perkin Elmer

| PE Part ² | Product | Pack | Cat. no. |
|----------------------|--------------------------------|-------|----------|
| 0240-0090 | Boat Platinum 9x4x2.5mm+Tab | 1 | D5005 |
| 0240-0113 | Ag Oxide/Ag Tungstate Cp | 25gm | B1055 |
| 0240-0115 | Carbosorb 0.7-1.2mm | 100gm | B1236 |
| 0240-0117 | Copper Granules Pound Pack | 454gm | B1084 |
| 0240-0118 | Tin Powder | 10gm | B4002 |
| 0240-0119 | Platinised Carbon 10% 0.2-0.85 | 5gm | B1005 |
| 0240-0132 | Silver Oxide Fine Powder | 1gm | B4006 |
| 0240-0133 | 8-Hydroxyquinoline OAS | 1gm | B2020 |
| 0240-0137 | Filter Disc 2400 | 12 | E2011 |
| 0240-1092 | Copper Oxide Wire | 250gm | B1122 |
| 0240-1117 | Silver Vanadate Reagent | 10gm | B1009 |
| 0240-1118 | Silica Wool Fine | 5gm | B1017 |

| PE Part ² | Product | Pack | Cat. no. |
|----------------------|-----------------------------------|---------|----------|
| 0240-1119 | Magnesium Perchlorate | 500gm | B1081 |
| 0240-1120 | Benzoic Acid OAS | 5gm | B2047 |
| 0240-1121 | Acetanilide OAS | 1gm | B2000 |
| 0240-1217 | Scrubbing Tube 240ABC/CEC | 4 | C2004 |
| 0240-1225 | Combustion Tube 240ABC | 1 | C2000 |
| 0240-1226 | Reduction Tube 240A | 1 | C2001 |
| 0240-1230 | Cobalt Oxide Fine Powder | 10gm | B4005 |
| 0240-1238 | Tungstic Oxide Powder | 10gm | B4000 |
| 0240-1293 | O Ring - Nitrile | 2 | E1015 |
| 0240-1321 | Magnetic Ladle 240ABC/CEC | 1 | C2003 |
| 0240-1338 | Benzylthiuronium Chloride OAS | 1gm | B2007 |
| 0240-1343 | Vanadium Pentoxide Powder | 10gm | B4001 |
| 0240-1344 | Ag Tungstate/Mg Oxide | 100gm | B1036 |
| 0240-1347 | Cyclhxn24Dnphhydrzn OAS | 1gm | B2005 |
| 0240-1356 | U Tube Oxygen 240ABC/CEC | 1 | C2008 |
| 0240-1359 | Pyrolysis Tube Oxygen 240A | 1 | C2005 |
| 0240-1362 | Copper Wires Pound Pack | 454gm | B1083 |
| 0240-1369 | Combust Tube Sulphur 240ABC | 1 | C2006 |
| 0240-1370 | Reduction Tube Sulphur 240A | 1 | C2007 |
| 0240-1371 | U Tube Sulphur 240ABC | 1 | C2010 |
| 0240-1372 | Scrubber Tube Sulphur 240ABC | 1 | C2009 |
| 0240-1573 | Reduction Tube 240BC/CEC | 1 | C2002 |
| 0240-1581 | O Ring - Viton | 10 | E1007 |
| 0240-1582 | O Ring - Nitrile | 10 | E1006 |
| 0240-1583 | O Ring - Viton | 10 | E1013 |
| 0240-1673 | Comb Tube 240 Autosampler | 1 | C2013 |
| 0240-1724 | Ladle Autosampler 240ABC | 1 | C2023 |
| 0240-1961 | Reduction Tube Sul 240BC/CEC | 1 | C2012 |
| 0240-1962 | Pyrolysis Tube Oxygen 240BC | 1 | C2017 |
| 0240-1963 | Oxidation Tube Oxy 240BC/CEC | 1 | C2011 |
| 0240-2133 | O Ring - Viton | 1 | E1019 |
| 0497-8544 | Capsules Tin 8 x 5 | 100 | D1009 |
| 0990-2017 | O Ring - Nitrile | 10 | E1005 |
| 0990-2048 | O Ring - Nitrile | 1 | E1010 |
| 0990-2123 | O Ring - Nitrile | 2 | E1014 |
| 0990-2188 | O Ring - Silicone | 10 | E1009 |
| N241-0092 | Chromium Oxide | 50gm | B1179 |
| N241-0145 | Silver Gauze 12.5 x 150mm | 1 | B1037 |
| N241-0154 | Reduction Tube 2400 | 5 | C2039 |
| N241-0155 | Capsules Tin 6 x 4 Clean | 10 x 96 | D1112 |
| N241-0164 | Silver Vanadate Reagent | 100gm | B1142 |
| N241-0165 | Ag Tungstate/Mg Oxide | 500gm | B1145 |
| N241-0166 | Chromium Oxide | 100gm | B1099 |
| N241-0212 | Comb Tube 2400/2410 Series Quartz | 5 | C2038 |
| N241-0278 | Tungstic Oxide/Zirconium Oxide | 50gm | B1082 |
| N241-0324 | Cystine OAS | 5gm | B2105 |
| N241-0325 | Edta Standard | 100gm | B2137 |
| N241-0330 | Combustion Tube CHNS 2400/2410 | 5 | C2028 |
| N241-0501 | Sulphamic Acid OAS | 1gm | B2017 |
| N241-0512 | Consumable Kit CHNS 2400 | 1 | X2010 |
| N241-0518 | Carbosorb 0.7-1.2mm | 200gm | B1100 |
| N241-1235 | Pyrolysis Tube, 2400 Oxygen | 1 | C2018 |
| N241-1255 | Capsules Tin 6 x 4 Clean | 96 | D1027 |
| N241-1264 | Combustion Tube 2400 | 1 | C2015 |
| N241-1273 | Gauze Platinum 12 x 150mm | 1 | D7006 |
| N241-1274 | Retrieving Wire 2400 | 1 | E2101 |
| N241-1291 | Reduction Tube 2400 | 1 | C2016 |
| N241-1300 | Reduction Tube, 2400 Oxygen | 1 | C2019 |
| N241-1333 | Copper Plug With Flange | 1 | D6002 |
| N241-1335 | Vial Receptacle 2400 Nickel | 1 | D6000 |
| N241-1359 | Scrubber Tube 2410 | 1 | C2021 |
| N241-1362 | Capsules Tin 8 x 5 | 250 | D1008 |
| N241-1364 | Capsules Silver 6 x 4 Clean | 96 | D2027 |
| N241-1401 | Sleeve Slitted 2400 | 1 | C2025 |
| N241-1514 | Combustion Tube 2400 | 1 | C2024 |
| N241-1527 | Copper Granules 0.3 to 0.85 | 454gm | B1138 |
| N520-3115 | Pans Aluminium 6 x 3.75mm | 100 | D5085 |

²PE Part: The use of Perkin Elmer part numbers is intended for convenience only, and does not imply that the products are of Perkin Elmer origin. All Elemental Microanalysis products are guaranteed to be of high quality and are deemed to be suitable alternatives.

Europa

| E Part ³ | Product | Pack | Cat. no. |
|---------------------|--|-------|----------|
| C1001001 | Carbosorb 1.4-2.8mm | 100gm | B1237 |
| C1001002 | Carbosorb 0.7-1.2mm | 100gm | B1236 |
| C1001004 | Chromium Oxide | 25gm | B1004 |
| C1001005 | Chromasorb W 30-60 | 10gm | B3015 |
| C1001006 | Copper Wires | 100gm | B1015 |
| C1001007 | Copper Oxide Wires | 100gm | B1125 |
| C1001008 | Magnesium Perchlorate Gran | 100gm | B1101 |
| C1001009 | Nickel Sheet 130 x 130mm | 1 | B1024 |
| C1001012 | Reaction Tube Robo Transparent | 1 | C1040 |
| C1001013 | Reaction Tube Robo Translucent | 1 | C1041 |
| C1001014 | Reduction Tube Roboprep | 1 | C1030 |
| C1001015 | Scrubber Tube Roboprep | 1 | C1032 |
| C1001016 | Silica Wool Very Fine | 10gm | B1208 |
| C1001017 | Silica Chips | 50gm | B1008 |
| C1001018 | Silver Wool Unreeled | 10gm | B1119 |
| C1001019 | Capsules Tin 8 x 5 | 250 | D1008 |
| C1001020 | Capsules Tin 6 x 4 | 500 | D1006 |
| C1001021 | Capsules Tin 12 x 5mm | 200 | D1010 |
| C1001022 | Capsules Tin 12 x 6mm | 200 | D1012 |
| C1001023 | Capsules Tin 20 x 8mm | 100 | D1011 |
| C1001024 | Tin Discs - 21mm | 100 | D1064 |
| C1001025 | Tungstic Oxide On Alumina | 25gm | B1031 |
| C1001026 | Vanadium Pentoxide Powder | 10gm | B4001 |
| C1001036 | Forceps Stainless Straight | 1 | E2017 |
| C1001037 | Forceps Stainless Curved | 1 | E2016 |
| C1001038 | Spatula Micro Stainless | 1 | E2000 |
| C1001039 | Caps Smooth Tin 5.5 x 3.5 FB | 100 | D4033 |
| C1001042 | Cu Wires - S Analysis | 40gm | B1035 |
| C1001045 | Cell Well 96 Flat Bottom | 1 | E2044 |
| C1001048 | Sleeve Insert Europa 15OD x 180mm Open Both Ends | 1 | C1050 |
| C1001070 | Separation Column ANCA-SL/GSL | 1 | E3030 |
| C1001071 | Glassy Carbon Chips | 25g | C7003 |
| C1001072 | Capsules Silver 6 x 4 Clean | 250 | D2028 |
| C1001073 | Capsules Silver 12.5 x 5 | 200 | D2010 |
| C1001076 | Platinum Wire 0.125 x 1m | 1m | D9100 |
| C1001085 | Capsules Tin 6 x 4 Light Weight | 100 | D1016 |
| C1001086 | Capsules Tin 6 x 4 Clean Light | 100 | D1035 |
| C1001087 | Tin Discs - 16mm | 100 | D1063 |
| C1001088 | Tin Discs - 11mm | 100 | D1060 |
| C1001089 | Capsules Silver 6 x 4 | 500 | D2006 |
| C1001090 | Capsules Silver 6 x 4 | 100 | D2007 |
| C1001091 | Capsules Silver 8 x 5 | 250 | D2008 |
| C1001092 | Capsules Silver 8 x 5 | 100 | D2009 |
| C1001093 | Capsules Silver 6 x 4 Clean | 96 | D2027 |
| C1001094 | Silver Discs - 16mm | 100 | D2063 |
| C1001095 | Capsules Alum 8 x 5 Clean | 96 | D3029 |
| C1001096 | Caps Smooth Tin 5.5 x 2 FB | 100 | D4000 |
| C1001097 | Caps Smooth Tin 6 x 3 FB | 100 | D4001 |
| C1001098 | Magnesium Perchlorate Ind | 100gm | B1141 |
| E1000608 | Copper Gasket 64mm | 1 | E2780 |
| E1000609 | Copper Gasket 38mm | 1 | E2781 |
| E1002527 | Pt Cu Ox Gran 10% | 2gm | B1030 |
| E1002684 | O Ring | 1 | E1421 |
| E1002687 | Scrubbing Tube S19 | 1 | C1063 |
| E1005669 | O Ring | 1 | E1420 |

³E Part: The use of Europa part numbers is intended for convenience only, and does not imply that the products are of Europa origin. All Elemental Microanalysis products are guaranteed to be of high quality and are deemed to be suitable alternatives.

Exeter

| EX Part ⁴ | Product | Pack | Cat. no. |
|----------------------|---------------------------------------|-------|----------|
| 0210-0117 | Copper Granules Pound Pack | 454gm | B1084 |
| 0240-0090 | Boat Platinum 9 x 4 x 2.5mm + Tab | 1 | D5004 |
| 0240-0090A | Boat Platinum 9 x 4 x 2.5mm + Tab | 1 | D5005 |
| 0240-0092B | Silver Gauze 12.5 x 150mm | 1 | B1037 |
| 0240-0113 | Ag Oxide/Ag Tungstate on Chromosorb P | 25gm | B1055 |
| 0240-0115 | Carbosorb 0.7-1.2mm | 25gm | B1018 |
| 0240-0117 | Copper Granules | 500gm | B1175 |
| 0240-0118 | Tin Powder | 10gm | B4002 |
| 0240-0119A | Platinised Carbon 10% 0.2-0.85 | 5gm | B1005 |
| 0240-0132C | Silver Oxide Fine Powder | 1gm | B4006 |
| 0240-0133 | 8-Hydroxyquinoline OAS | 1gm | B2020 |
| 0240-0137A | Filter Disc 2400 | 12 | E2011 |
| 0240-0810A | Ceramic Sleeve 7 x 40mm | 10 | D6003 |
| 0240-1092 | Copper Oxide Wire | 50gm | B1002 |
| 0240-1117C | Silv Vanadate Reagent on Chromosorb A | 10gm | B1059 |
| 0240-1118 | Silica Wool Fine | 5gm | B1017 |
| 0240-1119 | Magnesium Perchlorate | 25gm | B1019 |
| 0240-1120 | Benzoic Acid OAS | 1gm | B2004 |
| 0240-1121 | Acetanilide OAS | 5gm | B2114 |
| 0240-1147B | Gauze Platinum 12 x 150mm | 1 | D7006 |
| 0240-1217 | Scrubbing Tube 240ABC/CEC | 4 | C2004 |
| 0240-1217B | Scrubbing Tube Large Diameter | 1 | C6026 |
| 0240-1226 | Reduction Tube 240A | 1 | C2001 |
| 0240-1230 | Cobalt Oxide Fine Powder | 10gm | B4005 |
| 0240-1238 | Tungstic Oxide Powder | 10gm | B4000 |
| 0240-1255 | Combustion Tube CHN CEC | 1 | C6000 |
| 0240-1293 | O Ring - Nitrile | 2 | E1015 |
| 0240-1321A | Ladle With Cutout CEC | 1 | C6020 |
| 0240-1321B | Magnetic Ladle 240ABC/CEC | 1 | C2003 |
| 0240-1338 | Benzylthiuronium Chloride OAS | 1gm | B2007 |
| 0240-1343 | Vanadium Pentoxide Powder | 10gm | B4001 |
| 0240-1344C | Ag Tungstate/Mg Oxide on Chromosorb A | 25gm | B1058 |
| 0240-1347 | Cyclhn24Dnphhydrzn OAS | 1gm | B2005 |
| 0240-1356 | U Tube Oxygen 240ABC/CEC | 1 | C2008 |
| 0240-1369 | Combustion Tube Sulphur CEC | 1 | C6006 |
| 0240-1370 | Reduction Tube Sulphur 240A | 1 | C2007 |
| 0240-1371 | U Tube Sulphur CEC | 1 | C6010 |
| 0240-1372 | Scrubber Tube Sulphur CEC | 1 | C6009 |
| 0240-1573 | Reduction Tube 240BC/CEC | 1 | C2002 |
| 0240-1581 | O Ring - Viton | 10 | E1007 |
| 0240-1582 | O Ring - Nitrile | 10 | E1006 |
| 0240-1583 | O Ring - Viton | 10 | E1013 |
| 0240-1724 | Ladle Autosampler 240ABC | 1 | C2023 |
| 0240-1961 | Reduction Tube Sul 240BC/CEC | 1 | C2012 |
| 0240-1962 | Pyrolysis Tube Oxygen CEC | 1 | C6017 |
| 0240-1963 | Oxidation Tube Oxy 240BC/CEC | 1 | C2011 |
| 0240-2061A | Ladle For Refractories 240/CEC | 1 | C6021 |
| 0990-2017 | O Ring - Nitrile | 10 | E1005 |
| 306-00001 | Silicone Grease | 100gm | E2158 |
| 316-00003 | O Ring - Nitrile | 1 | E1032 |
| 316-00008 | O Ring - Nitrile | 1 | E1033 |
| 318-00002 | Capsules Tin 8 x 5 | 100 | D1009 |
| 318-00002 | Capsules Tin 8 x 5 | 250 | D1008 |
| 318-00009 | Connector Tube Drive Box CEC | 1 | C6011 |
| 650-00001 | Anthracene OAS | 1gm | B2003 |
| 650-00002 | Stearic Acid OAS | 1gm | B2031 |
| 650-00003 | Cystine OAS | 1gm | B2035 |
| 650-00004 | 1-Chloro-2,4-Dinitrobenzne OAS | 1gm | B2010 |
| 650-00008 | Universal Combustion Additive | 1gm | B4007 |
| 650-00011 | Copper Wires | 100gm | B1015 |
| 650-00011-1 | Copper Wires 3 x 100gm | 300gm | B1091 |
| 650-00012 | Copper Granules | 100gm | B1013 |
| 6703-0376 | Ladle Curved CEC | 1 | C6024 |
| 6703-0378 | Combustion Tube CHN CEC | 1 | C6003 |
| 6703-0406 | Pyrolysis Tube Oxygen CEC | 1 | C6019 |
| 6703-0410 | Capsules Silver 6 x 4 Clean | 96 | D2027 |
| 6703-0411 | Capsules Alum 5 x 3.5 | 500 | D3001 |
| 6703-0413 | Capsules Tin 6 x 4 | 500 | D1006 |
| 6703-0414 | Caps Smooth Tin 5.5 x 3.5 RB | 100 | D4023 |
| 6703-0416 | Ag Capsules Smooth Wall 9 x 3.5 | 100 | D4101 |

Exeter (continued)

| EX Part ⁴ | Product | Pack | Cat. no. |
|----------------------|----------------------------------|------|----------|
| 6703-0418 | Caps Smooth Tin 6 x 3 FB | 100 | D4001 |
| 6703-0499 | Capsules Nickel 8 x 5mm 1mm Hole | 250 | D3503 |
| 6703-0500 | Aluminium Squares - 30 x 30mm | 100 | D3081 |
| 6703-0503 | Ladle Straight CEC | 1 | C6022 |
| 6703-0514 | Combustion Tube CHN CEC | 1 | C6001 |
| 6703-0565 | Pyrolysis Tube Oxygen CEC | 1 | C6018 |
| 6703-0580 | Combustion Tube Sulphur CEC | 1 | C6008 |
| 6703-0581 | Combustion Tube Sulphur CEC | 1 | C6007 |
| 6703-0584 | Ladle Anti-Jetting CEC | 1 | C6023 |
| 6703-0585 | Combustion Tube CHN CEC | 1 | C6002 |
| 6703-0589 | Ladle Small Diameter CEC | 1 | C6025 |

⁴EX Part: The use of Exeter part numbers is intended for convenience only, and does not imply that the products are of Exeter origin. All Elemental Microanalysis products are guaranteed to be of high quality and are deemed to be suitable alternatives.

Costech

| C Part ⁵ | Product | Pack | Cat. no. |
|---------------------|---|-------|----------|
| 011001 | Chromium Oxide Granular 0.85 to 1.7mm | 50gm | B1179 |
| 011002 | Cobaltous/ic Oxide Granular 0.85 to 1.7mm | 25gm | B1001 |
| 011005 | Copper Wires for S analysis, high purity, reduced 4 x 0.5mm | 40gm | B1035 |
| 011007 | Cobaltous/ic Oxide Silvered Granular 0.85 to 1.7mm | 25gm | B1000 |
| 011008 | Tungstic Oxide Granular 0.85 to 1.7mm | 25gm | B1025 |
| 011009 | Tungstic Oxide on Alumina Granular 0.85 to 1.7mm | 25gm | B1031 |
| 011013 | Copper Wires 3 x 100gm pack, coarse wires, reduced 6 x 0.65mm | 300gm | B1213 |
| 011014 | Copper Wires Coarse Wires Reduced 6 x 0.65mm | 100gm | B1016 |
| 011016 | Chromium Oxide on Alumina Granular 0.85 to 1.7mm | 50gm | B1131 |
| 011017 | Copper Wires for S analysis, high purity, reduced 4 x 0.5mm | 100gm | B1177 |
| 011018 | Nickelised Carbon Wool | 5g | B1242 |
| 011022 | Copper Wires Fine Wires Reduced 4 x 0.5mm | 100gm | B1015 |
| 021020 | Carbosorb Granular 0.7 to 1.2mm CO2 Absorbant | 100gm | B1236 |
| 021022 | Magnesium Perchlorate Granular 0.7 to 1.2mm H2O absorbant | 100gm | B1101 |
| 021024 | Nickel Wool Fine Wire | 2gm | B1007 |
| 021025 | Silica (Quartz) Chips Granular 0.85 to 1.7mm | 50gm | B1008 |
| 021026 | Silica (Quartz) Wool Very Fine | 5gm | B1017 |
| 021030 | Soda Lime Granular 1.0 to 2.5mm CO2 Absorbant | 100gm | B1211 |
| 021035 | Silica (Quartz) Wool Very Fine | 10gm | B1208 |
| 031040 | Acetanilide OAS | 1gm | B2000 |
| 031042 | Atropine OAS | 1gm | B2002 |
| 031043 | Benzoic Acid OAS | 1gm | B2004 |
| 031044 | Cyclohexanone 2,4-dinitrophenylhydrazone | 1gm | B2005 |
| 031046 | Sulphanilamide OAS | 1gm | B2036 |
| 031047 | 2,5-(Bis(5-tert-butyl-2-benzo-oxazol-2-yl) thiophene (BBOT) OAS | 1gm | B2044 |
| 031048 | Methionine OAS | 25gm | B2100 |
| 041060 | Tin Capsules Pressed, Standard Weight 3.5 x 5 | 100 | D1003 |
| 041061 | Tin Capsules Pressed, Standard Weight 8 x 5mm | 100 | D1009 |
| 041062 | Smooth Wall Tin Capsules Flat Base 6 x 3mm | 100 | D4001 |
| 041063 | Smooth Wall Tin Capsules Flat Base 5 x 2mm | 100 | D4042 |
| 041065 | Smooth Wall Tin Capsules Flat Base 9 x 3.5mm | 100 | D4035 |
| 041066 | Silver Capsules Pressed 3.5 x 5mm | 100 | D2003 |
| 041067 | Silver Capsules Pressed 8 x 5mm | 100 | D2009 |
| 041070 | Tin Capsules Pressed, Standard Weight 6 x 4mm | 500 | D1006 |
| 041070 | Tin Capsules Pressed, Standard Weight 6 x 4mm | 100 | D1007 |
| 041072 | Silver Capsules Pressed 6 x 4mm | 100 | D2007 |
| 041073 | Tin Weighing Pans Pressed, Standard Weight 10 x 10mm | 100 | D5055 |
| 041074 | Tin Capsules Pressed, Standard Weight 5 x 3.5mm | 500 | D1002 |
| 041077 | Tin Capsules Pressed, Standard Weight 8 x 5mm | 250 | D1008 |
| 051080 | Separation Column CHNS, NCS | 1 | E3003 |
| 051081 | Separation Column CHN | 1 | E3000 |
| 051082 | Separation Column NC | 1 | E3004 |
| 051083 | Separation Column Sulphur | 1 | E3002 |
| 051084 | Separation Column Oxygen | 1 | E3001 |
| 051085 | Separation Column NC 4m | 1 | E3008 |
| 051088 | Separation Column Oxygen 2m | 1 | E3016 |
| 061104 | Reaction Tube Transparent Silica | 1 | C1022 |
| 061105 | Reaction Tube Translucent Silica | 1 | C1023 |
| 061106 | Seal Viton Rubber Chamfered Square Profile | 5 | E1041 |

| C Part ⁵ | Product | Pack | Cat. no. |
|---------------------|---|------|----------|
| 061110 | Prepacked Reactor Tube, Translucent Silica | 1 | X1012 |
| 061112 | Prepacked Reaction Tube NCH, N, NC Translucent Silica | 1 | X1015 |
| 071120 | Scrubber Tube Water Threaded, Borosilicate Glass | 1 | C1008 |
| 071121 | Scrubber Tube Carbon Dioxide Threaded, Borosilicate Glass | 1 | C1014 |
| 071122 | O Ring Schott Type Silicone/PTFE | 10 | E1021 |
| 080006 | Forceps Stainless Steel Curved Points | 1 | E2016 |
| 080011 | Tubing Stainless Steel 2 x 1mm x 3 metres | 1 | E2033 |
| 080012 | Blue Flexible Tubing Polyurethane 5 x 3mm | 3m | E4404 |
| 091107 | Column Fitting 6 to 2mm Stainless Steel | 1 | E2035 |
| 071122/23 | Cap Kit for Threaded Joints Caps & PTFE Backed Silicone Seals | 2 | C1020 |

⁵C Part: The use of Costech part numbers is intended for convenience only, and does not imply that the products are of Costech origin. All Elemental Microanalysis products are guaranteed to be of high quality and are deemed to be suitable alternatives.

Elementar

| EL Part ⁶ | Product | Pack | Cat. no. |
|----------------------|---------------------------------------|-------|----------|
| 3002607 | Shaft Seal | 1 | E1555 |
| 22133213 | Silver Boats 8 x 8 x 15mm | 70 | D5034 |
| 22133214 | Silver Boats 9 x 10 x 20mm | 42 | D5035 |
| 03 001 118 | Sulphanilic Acid OAS | 5gm | B2147 |
| 03 002 252 | O Ring Silicone | 1 | E1089 |
| 03 002 262 | Platinum Catalyst | 30gm | B1196 |
| 03 002 267 | O Ring - Viton | 1 | E1075 |
| 03 651 011 | Tubing Ptfе 5 x 3 mm 0.5m | 1 | E1058 |
| 03 653 103 | O Ring - Silicone | 1 | E1063 |
| 03 653 118 | O Ring - Silicone | 1 | E1085 |
| 03 654 505 | O Ring - Silicone | 1 | E1086 |
| 03 654 603 | O Ring - Silicone | 10 | E1016 |
| 03 654 615 | O Ring - Nitrile | 1 | E1081 |
| 03 654 627 | O Ring - Viton | 1 | E1073 |
| 03 654 629 | O Ring - Silicone | 1 | E1066 |
| 03 654 701 | O Ring - Silicone | 1 | E1082 |
| 03 654 772 | O Ring - Viton | 1 | E1088 |
| 03 654 814 | O Ring - Silicone | 1 | E1055 |
| 03 667 990 | Sealing Ring | 1 | E1079 |
| 03 667 991 | Sealing Ring | 1 | E1080 |
| 03 679 900 | Emasorb A 0.8 - 1.6mm | 200gm | B1115 |
| 03 679 900 | Emasorb A 14-25 Mesh | 500gm | B1162 |
| 03 679 901 | Emadronе 14-25 Mesh | 454gm | B1161 |
| 03 679 907 | Silica Chips | 100gm | B1214 |
| 03 679 908 | Silica Wool Very Fine | 10gm | B1208 |
| 03 679 910 | Carbon High Purity Gran | 5gm | B1043 |
| 03 679 914 | Lead Chromate Granular | 250gm | B1207 |
| 03 679 915 | Cerium Dioxide Granular | 100gm | B1219 |
| 03 679 924 | Copper Granules | 500gm | B1175 |
| 03 679 941 | Quadring - Silicone | 1 | E1090 |
| 03 679 942 | Acetanilide OAS | 5gm | B2114 |
| 03 697 900 | Carbosorb 0.7-1.2mm | 25gm | B1018 |
| 03 951 619 | Caps Smooth Tin 5.5 x 3.5 RB | 100 | D4023 |
| 03 951 620 | Caps Smooth Tin 6 x 3 FB | 100 | D4001 |
| 03 960 157 | Silica Gel | 1kg | B1066 |
| 03 960 350 | 4-Nitroaniline OAS | 1gm | B2015 |
| 03 960 352 | Sicapent | 500g | B1197 |
| 03 968 006 | Vacuum Grease | 100gm | E2240 |
| 05 000 043 | O Ring - Silicone | 1 | E1062 |
| 05 000 086 | Aluminium Oxide Wool | 20gm | B1089 |
| 05 000 087 | Ash Finger Ceramic Rapid N | 1 | C3030 |
| 05 000 088 | Oxygen Lance 140 Mm Vario EL | 1 | C3011 |
| 05 000 092 | O Ring - Kalrez | 1 | E1061 |
| 05 000 094 | Gloves Elementar | Pair | E2505 |
| 05 000 095 | O Ring - Viton | 1 | E1074 |
| 05 000 096 | O Ring - Viton | 1 | E1072 |
| 05 000 140 | O Ring - Nitrile | 1 | E1060 |
| 05 000 247 | Seal Oxy Lance Vario EL/Rapid N 100mm | 1 | E1050 |
| 05 000 248 | O Ring - Silicone | 1 | E1083 |
| 05 000 249 | O Ring - Viton | 1 | E1067 |
| 05 000 311 | Caps Smooth Tin 20 x 8 RB | 100 | D4009 |
| 05 000 312 | Tin Capsules Smooth Wall 14 x 6.75 | 100 | D4120 |
| 05 000 341 | O Ring - Viton | 1 | E1053 |
| 05 000 353 | Quadring - Nitrile | 1 | E1054 |
| 05 000 354 | Oxygen Lance 150 mm Vario EL | 1 | C3012 |
| 05 000 359 | O Ring - Viton | 1 | E1070 |

Elementar (continued)

| EL Part ⁶ | Product | Pack | Cat. no. |
|----------------------|------------------------------------|-------|----------|
| 05 000 368 | O Ring - Viton | 1 | E1071 |
| 05 000 369 | O Ring - Viton | 1 | E1057 |
| 05 000 371 | O Ring - Viton | 1 | E1076 |
| 05 000 372 | O Ring - Viton | 1 | E1077 |
| 05 000 384 | Quadriring - Nitrile | 1 | E1078 |
| 05 000 385 | O Ring - Viton | 1 | E1068 |
| 05 000 400 | Benzoic Acid OAS | 5gm | B2047 |
| 05 000 416 | O Ring - Viton | 1 | E1069 |
| 05 000 429 | Tin Foil Cones | 100 | D9001 |
| 05 000 481 | Tin Capsules Smooth Wall 11 x 4.75 | 250 | D4121 |
| 05 000 658 | Oxygen Lance 170 mm | 1 | C3013 |
| 05 000 699 | Copper Wires | 100gm | B1015M |
| 05 000 814 | Al Capsules Smooth Wall 7 x 3.2 | 250 | D4111 |
| 05 000 815 | Al Capsules Smooth Wall 9 x 3.5 | 250 | D4110 |
| 05 000 816 | Ag Capsules Smooth Wall 5.5 x 3.5 | 250 | D4102 |
| 05 000 817 | Capsules Silver 8.75 x 3.5 | 100 | D2089 |
| 05 000 880 | Manganese Dioxide | 10gm | B1204 |
| 05 000 893 | Silica Gel Drying Agent | 100gm | B1044 |
| 05 000 900 | Silica Chips | 50gm | B1215 |
| 05 001 013 | Gelatin Capsules 8 x 25 | 100 | E2145 |
| 05 001 039 | Copper Oxide Wire | 250gm | B1122 |
| 05 001 059 | Magnesium Perchlorate Ind | 100gm | B1141 |
| 05 001 070 | Cobaltous/ic Oxide | 25gm | B1001 |
| 05 001 169 | Phenylalanine OAS | 25g | B2148 |
| 11 001 150/4 | Combustion Tube Vario EL | 1 | C3009 |
| 11 001 170/4 | Ash Finger Vario El 65mm | 1 | C3018 |
| 11 001 171/4 | Support Tube 133 mm Vario EL | 1 | C3016 |
| 11 001 172/4 | Support Tube 65 mm Vario EL | 1 | C3017 |
| 11 001 304/4 | Pfife Plug Vario EL | 1 | E2037 |
| 11 001 308/4 | Reduction Tube Vario EL | 1 | C3010 |
| 11 001 317/4 | Ash Finger Silica 105mm | 1 | C3021 |
| 11 00-1331/4 | Connecting Tube Silica | 1 | C3022 |
| 11 020 008 | Tungstic Oxide Granular | 60gm | B1217 |
| 11 020 017 | Tungsten (VI) Oxide Powder 25g | 25gm | B4013 |
| 12 001 009 | Tin Boats 9 x 10 x 20 | 120 | D5033 |
| 12 010 032 | Tin Squares - 37 x 37mm (400 Pack) | 400 | D1116 |
| 12 010 033 | Tin Squares - 50 x 50mm | 100 | D1115 |
| 22 127 245/3 | Red Tube Heraeus CHN Rapid | 1 | C3005 |
| 22 127 313/4 | Receptacle Insert Ni Gauze | 1 | D6001 |
| 22 131 365 | Silver Wool 0.05mm | 50gm | B1231 |
| 22 133 210/3 | Pyrolysis Tube Vario EL | 1 | C3019 |
| 22 133 211/4 | Pyrolysis Tube Insert Vario EL | 1 | C3020 |
| 22 133 212 | Boats Silver 12 x 6 x 6 | 100 | D5026 |
| 22 137 418 | Boats Tin 12 x 4 x 4 | 1000 | D5130 |
| 22 137 419 | Boats Tin 12 x 6 x 6 | 500 | D5131 |
| 22 137 420 | Tin Boats 8 x 8 x 15 | 250 | D5032 |
| 22 156 202/3 | Comb Tube Heraeus CHN Rapid | 1 | C3004 |
| 22 156 919 | Bubble Flowmeter 50CC | 1 | E2038 |
| 22 160 200/4 | Drying Guard Tube | 1 | C3008 |
| 22 160 301/4 | U Tube Complete Vario EL | 1 | C3015 |
| 34 001 339/4 | U-Tube Large Rapid N GL18 | 1 | C3038 |
| 50 008 467 | Aluminium Oxide Spheres 2-4mm | 40gm | B1090 |
| 88 895 805 | Aspartic Acid | 100gm | B2138 |

⁶EL Part: The use of Elementar part numbers is intended for convenience only, and does not imply that the products are of Elementar origin. All Elemental Microanalysis products are guaranteed to be of high quality and are deemed to be suitable alternatives.

Eurovector

| EV Part ⁷ | Product | Pack | Cat. no. |
|----------------------|--------------------------------|-------|----------|
| E10101 | Chromium Oxide | 25gm | B1004 |
| E10102 | Chromium Oxide on Alumina | 50gm | B1131 |
| E10103 | Chrome Catalyst | 100g | B1450 |
| E10105 | Cobaltous/ic Oxide | 25gm | B1001 |
| E10108 | Copper Oxide Wires Coarse | 100gm | B1234 |
| E10109 | Copper Oxide Wires | 100gm | B1125 |
| E10120 | Copper Wires (Coarse) | 50gm | B1046 |
| E10121 | Copper Wires (Coarse) | 100gm | B1016 |
| E10123 | Copper Wires | 100gm | B1015 |
| E10130 | Cu Wires - S Analysis - Coarse | 40gm | B1040 |
| E10142 | Nickel Oxide Granular | 25gm | B1034 |

| EV Part ⁷ | Product | Pack | Cat. no. |
|----------------------|---|-------|----------|
| E10145 | Nickelised Carbon 50% Lrge Gran | 5gm | B1182 |
| E10148 | Oxidation Catalyst | 40gm | B1103 |
| E10152 | Tungstic Oxide Granular | 25gm | B1025 |
| E10156 | Tungstic Oxide On Alumina | 25gm | B1031 |
| E10160 | Cobaltous/ic Oxide Silv | 25gm | B1000 |
| E10180 | Lead Oxide Red, Fine | 1gm | B1039 |
| E10182 | Vanadium Pentoxide Powder | 10gm | B4001 |
| E10184 | Vanadium Pentoxide Powder | 1g | B4010 |
| E10502 | Soda Lime 1-2.5mm | 100gm | B1211 |
| E10503 | Carbosorb 0.7-1.2mm | 100gm | B1236 |
| E10504 | Chromasorb W 30-60 | 25gm | B3017 |
| E10505 | Carbosorb 0.8-1.4mm | 25gm | B1042 |
| E10506 | Magnesium Perchlorate | 100gm | B1101 |
| E10507 | Magnesium Perchlorate | 25gm | B1019 |
| E10508 | Molecular Sieve 3A | 100gm | B1047 |
| E10510 | Nickel Wool | 2gm | B1007 |
| E10512 | Silica Chips | 100gm | B1214 |
| E10513 | Silica Chips | 50gm | B1008 |
| E10514 | Silica Wool Fine | 5gm | B1017 |
| E10521 | Glassy Carbon Chips | 25g | C7003 |
| E11001 | Acetanilide OAS | 1gm | B2000 |
| E11002 | 4-Fluorobenzoic Acid OAS | 1gm | B2013 |
| E11003 | Urea OAS | 1gm | B2038 |
| E11004 | Anthracene OAS | 1gm | B2003 |
| E11005 | Edta OAS | 1gm | B2033 |
| E11006 | 8-Hydroxyquinoline OAS | 1gm | B2020 |
| E11008 | Atropine OAS | 1gm | B2002 |
| E11009 | Cystine OAS | 1gm | B2035 |
| E11012 | Bis(Trtbylbnzoxyl)Thpne OAS | 1gm | B2044 |
| E11016 | Benzoic Acid OAS | 1gm | B2004 |
| E11020 | Cyclhxn24Dnphhydrzn OAS | 1gm | B2005 |
| E11024 | 1-Chloro-2;4-Dinitrbenzne OAS | 1gm | B2010 |
| E11026 | Methionine OAS | 25gm | B2100 |
| E11028 | Sulphanilamide OAS | 1gm | B2036 |
| E11501 | Separation Column CHNS NCS 2m | 1 | E3003 |
| E11505 | Separation Column CHN 2m | 1 | E3000 |
| E11507 | Separation Column CHNS NCS 2m PTFE | 1 | E3013 |
| E11510 | Separation Column NC 3m | 1 | E3004 |
| E11515 | Separation Column Sulphur 0.8m | 1 | E3002 |
| E11520 | Separation Column Oxygen 1m | 1 | E3001 |
| E12001 | Capsules Tin 5 x 3.5 | 500 | D1002 |
| E12003 | Capsules Tin 5 x 3.5 | 100 | D1003 |
| E12005 | Capsules Tin 8 x 5 | 100 | D1009 |
| E12007 | Capsules Tin 8 x 5 | 250 | D1008 |
| E12010 | Pans Tin 10 x 10mm | 100 | D5055 |
| E12020 | Caps Smooth Tin 5 x 2 FB | 100 | D4042 |
| E12025 | Caps Smooth Tin 6 x 3 FB | 100 | D4001 |
| E12030 | Caps Smooth Tin 9 x 3.5 RB | 100 | D4005 |
| E12050 | Capsules Silver 5 x 3.5 | 100 | D2003 |
| E12055 | Capsules Silver 8 x 5 | 100 | D2009 |
| E12501 | Reaction Tube 1106 Transparent | 1 | C1000 |
| E12505 | Reduction U Tube Silica | 1 | C1003 |
| E12507 | Ceramic Tube Eurovector | 2 | C1102 |
| E12508 | Reaction Tube Eurovector | 2 | C1084 |
| E12509 | Reaction Tube Eurovector | 2 | C1074 |
| E12510 | React. Tube Heavy Wall | 1 | C1099 |
| E12512 | Reaction Tube Modified | 1 | C1056 |
| E12520 | Reaction tube, quartz 20/6, transparent | 1 | C1083 |
| E12525 | Reaction tube, quartz 20/6, translucent | 1 | C1088 |
| E12529 | Glassy Carbon Tube | 1 | C7004 |
| E13040 | Prepacked Tube Eurovector CHNS/NCS/S | 1 | X1074 |
| E13520 | O Ring | 10 | E1500 |
| E13525 | O Ring | 10 | E1501 |
| E13535 | O Ring | 2 | E1503 |
| E13536 | O Ring | 1 | E1504 |
| E13537 | O Ring | 1 | E1505 |
| E13538 | O Ring | 1 | E1506 |
| E13539 | O Ring | 1 | E1507 |
| E13540 | O Ring | 1 | E1508 |

⁷EV Part: The use of Eurovector part numbers is intended for convenience only, and does not imply that the products are of Eurovector origin. All Elemental Microanalysis products are guaranteed to be of high quality and are deemed to be suitable alternatives.

LITERATURE REQUEST FAXBACK FORM

For full details of all the products we supply for your instrument please copy this page and fax it back to us.

+44 (0)1837 54544 or your local dealer:

Micro/CHN(OS) Instruments

- ThermoFinnigan **Flash EA™ 1112 CHNOS**
- ThermoFinnigan **Flash EA™ 1112 NC/S**
- ThermoFinnigan (Carlo Erba/Fison) **EA1110**
- ThermoFinnigan (Carlo Erba/Fison) **EA1108**
- ThermoFinnigan (Carlo Erba/Fison) **EA1106**
- ThermoFinnigan (Carlo Erba/Fison) **EA1102/1104**
- ThermoFinnigan (Carlo Erba/Fison) **NA2500 N/NC/NCS**
- ThermoFinnigan (Carlo Erba/Fison) **NA1500 (Series 1&2)**

- Perkin Elmer **2400**
- Perkin Elmer **240 Series ABC**
- Perkin Elmer **440**
- Perkin Elmer **2410**

- Exeter Analytical **(CEC) CE440**
- Exeter Analytical **(CEC) 240**

- Europa **Roboprep**
- Europa **Anca**
- Europa **Integra**

- Elementar (Foss Heraeus) **Vario EL**
- Elementar (Foss Heraeus) **CHN Rapid**

- EuroVector **EA3000**

- Leco® **CHN-900**
- Leco® **CHN-932**
- Leco® **CHN-1000**
- Leco® **CHN-2000**
- Leco® **CHN-600**
- Leco® **CHN-800**
- Leco® **Truspec CHN/CN**

- Costech **ECS 4010**

Catalogues

- Inorganic**
- Carbon/Sulphur**
- Nitrogen/Protein**

- Contract Analysis Service**

Name

Organisation

Address

Tel

Fax

E-mail



“the centre of excellence in elemental analysis”



Elemental Microanalysis Ltd

Hameldown Road

Okehampton Business Park

Exeter Road

Okehampton

Devon EX20 1UB

United Kingdom

Tel: +44 (0)1837 54446

Fax: +44 (0)1837 54544

E-mail: info@microanalysis.co.uk

www.microanalysis.co.uk