

Synapse EM

Spectroscopy EMCCD Camera

OSD-SY-03

ELEMENTAL ANALYSIS
FLUORESCENCE
GRATINGS & OEM SPECTROMETERS
OPTICAL COMPONENTS
FORENSICS
PARTICLE CHARACTERIZATION
RAMAN
SPECTROSCOPIC ELLIPSOMETRY
SPR IMAGING

EMCCD for low-light and ultrafast spectroscopy

Key Features and Benefits

- **1600 × 200 or 1600 × 400 EMCCD sensor**
16 × 16 μm pixel size for high spectral resolution
- **25.6 × 3.2 mm or 25.6 × 6.4 mm image area**
Ideal for high-speed or multi-track spectroscopy
- **Back- and front-illuminated EMCCD**
QExtra anti-fringing back-thinned technology
- **Deep thermoelectric cooling**
Air or liquid circulation to minimize dark current
- **Dual readout modes**
EMCCD or CCD for a broad range of light conditions
- **Readout rates up to 3 MHz**
Acquires more than 1600 spectra per second
- **Single fused-silica vacuum window**
Minimizes reflection losses from UV to near-IR

Spectral rate⁽¹⁾ 1613 spectra/s max.

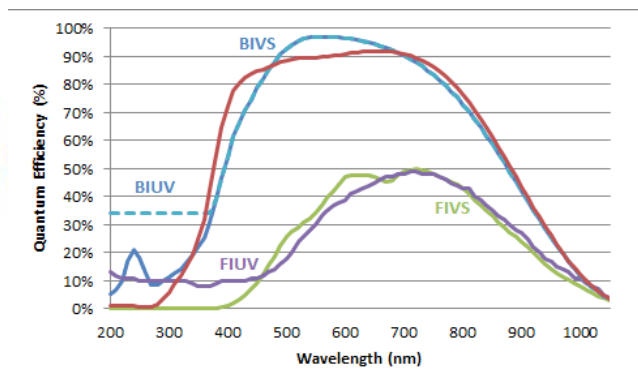
Dark current⁽²⁾ < 0.002 e⁻/pixel/s

Readout noise < 1 e⁻ in EM mode

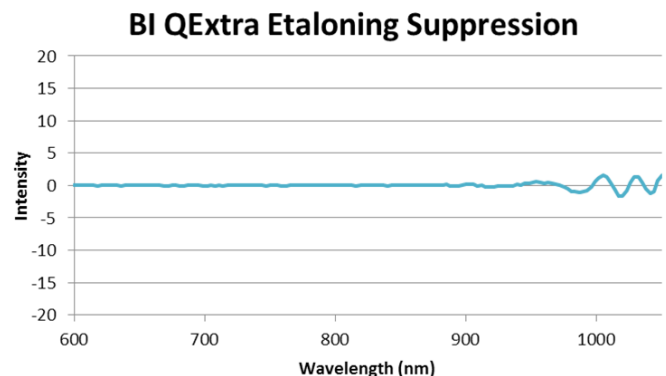
Non-linearity⁽³⁾ < 0.75%

Key Applications

- Raman spectroscopy
- SERS, TERS
- Multi-track spectroscopy
- Transient spectroscopy
- Single-molecule spectroscopy



Quantum efficiency curves at +25°C



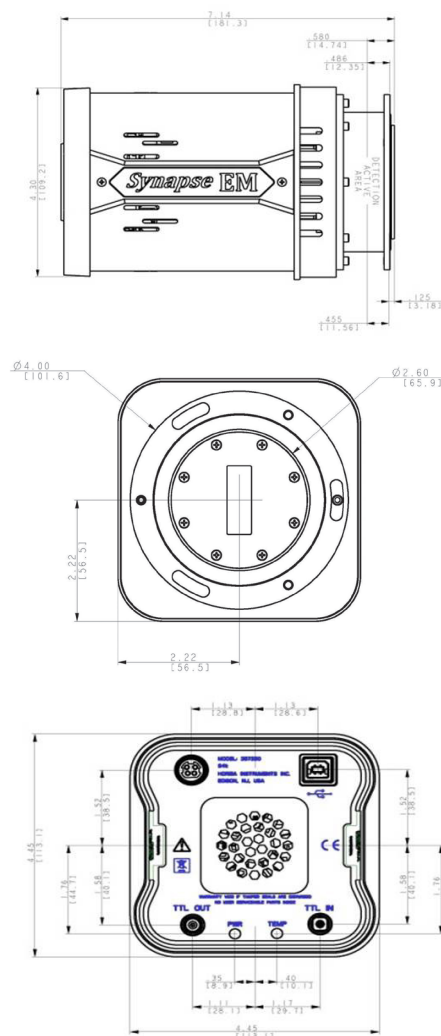
Measured etaloning



Synapse EM Specifications

Sensor	Front-illuminated (FI), back-illuminated (BI), scientific grade 1		
Active pixels	1600 × 200	1600 × 400	
Pixel size	16 μm × 16 μm		
Image area	25.6 mm × 3.2 mm	25.6 mm × 6.4 mm	
Output node well capacity			
High Sensitivity mode	300,000 e ⁻		
Electron Multiplying mode	1,300,000 e ⁻		
Register Well Depth			
High Sensitivity mode	450,000 e ⁻		
Electron Multiplying mode	800,000 e ⁻		
Non-linearity (measured at all speeds per camera)	< 0.75%		
Readout Noise (e⁻): Typ. (Max)	50 kHz	1 MHz	3 MHz
High Sensitivity mode: EM off	2.7 (5)	6.1 (9)	8.5 (12)
Electron Multiplying mode: EM off	8.0 (15)	23 (35)	38 (50)
Electron Multiplying mode: EM on	< 1	< 1	< 1
Dark Current at -60°C (e⁻/pixel/s)			
FI	< 0.002		
BI	< 0.01		
Maximum spectra per second			
Full vertical bin	616	376	
ROI mode 20 rows	1475	1475	
ROI mode 8 rows	1613	1613	
Software-adjustable gain (e⁻/count)			
High Sensitivity mode	Selectable from 0.6 to 4.0		
Electron Multiplying mode	Selectable from 3.6 to 25		
Electron multiplier gain	1 to 1000, software-controlled		
Digitization	16-bit ADC		
Vertical shift rates	4.9, 9.6, 19 software-selectable ⁽⁴⁾		
Cooling at +20°C			
Air-cooled	-60°C (guaranteed)		
Liquid-cooling recirculator	-75°C (typical)		
Power requirements			
AC-DC power supply (provided)	AC input 90–264 VAC, 47–63 Hz DC output +9 V, 6.44 A maximum		

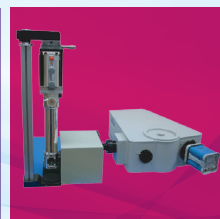
- (1) Region Of Interest (ROI) mode 8 rows
 (2) Measured at -60°C
 (3) Measured at all read-out speeds for each camera
 (4) Some decrease in CTE may be observed at faster speeds.



Your partner for Spectroscopy Solutions



Spectrometers, Monochromators
 Scientific Cameras, Software and
Custom Solutions



HORIBA
 Scientific

info.sci@horiba.com

www.horiba.com/scientific

USA: +1 732 494 8660
UK: +44 (0)20 8204 8142
China: +86 (0)21 6289 6060

France: +33 (0)1 69 74 72 00
Italy: +39 2 5760 3050
Brazil: +55 (0)11 5545 1500

Germany: +49 (0)89 4623 17-0
Japan: +81 (0)3 6206 4721
Other: +1 732 494 8660

Explore the future

Automotive Test Systems | Process & Environmental | Medical | Semiconductor | Scientific

HORIBA